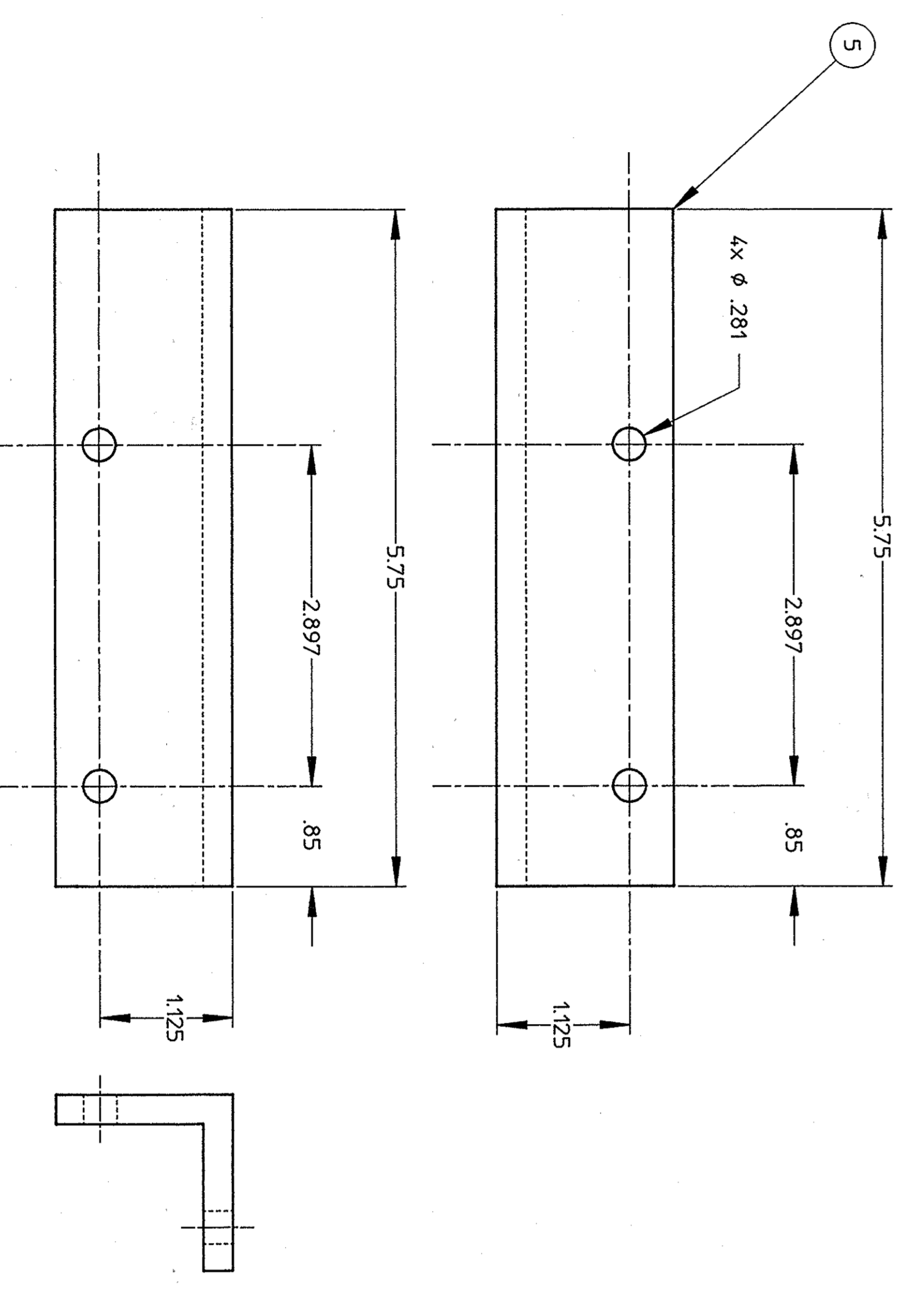
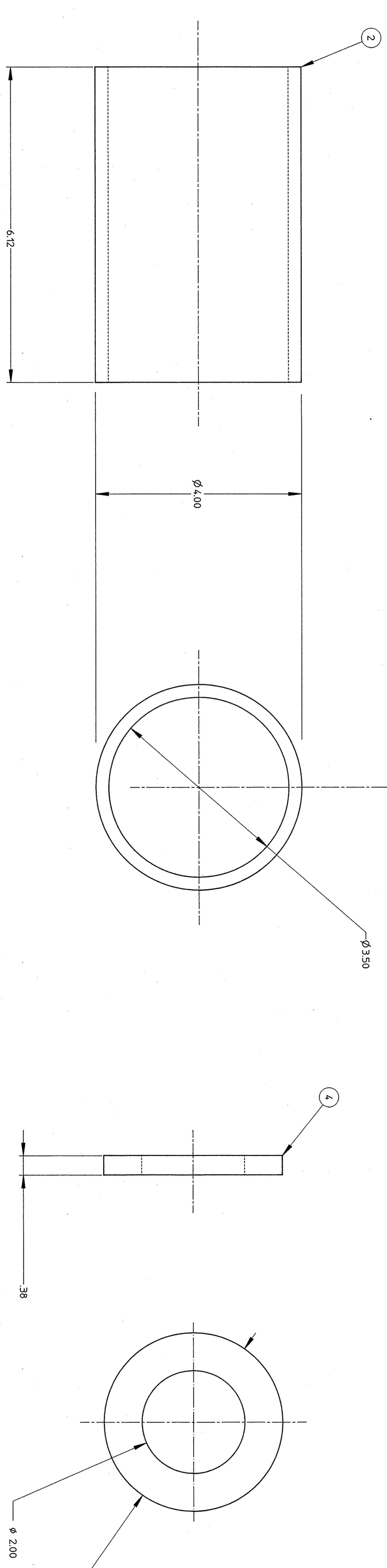
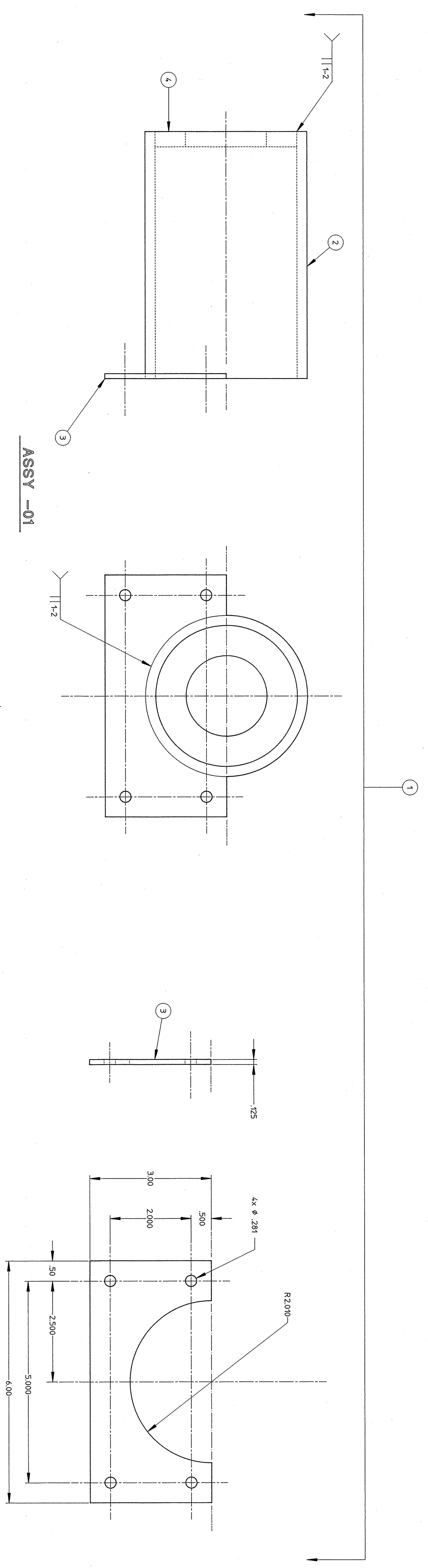


ZONE	REV	DESCRIPTION	DATE	APPROVED



QTY	PART NO.	DESCRIPTION	UNIT
1	58432-E-0656	GUIDE ANGLE	15 X 15 X .25 ANGLE
1		MOUNTING FLANGE	6061-T6 ALUMINUM
1		END PLATE	6061-T6 ALUMINUM
1		MAIN TUBE	6061-T6 ALUMINUM
1		THERMAL HAT	6061-T6 ALUMINUM

QAO ID NO. 5843200656
 DRAWN BY: [Signature]
 CHECKED BY: [Signature]
 DATE: 7/17/97
 THERMAL SHIELDING HAT AND ANGLE GUIDE DETAILS
 58432-E-0656
 SHEET 1 OF 1