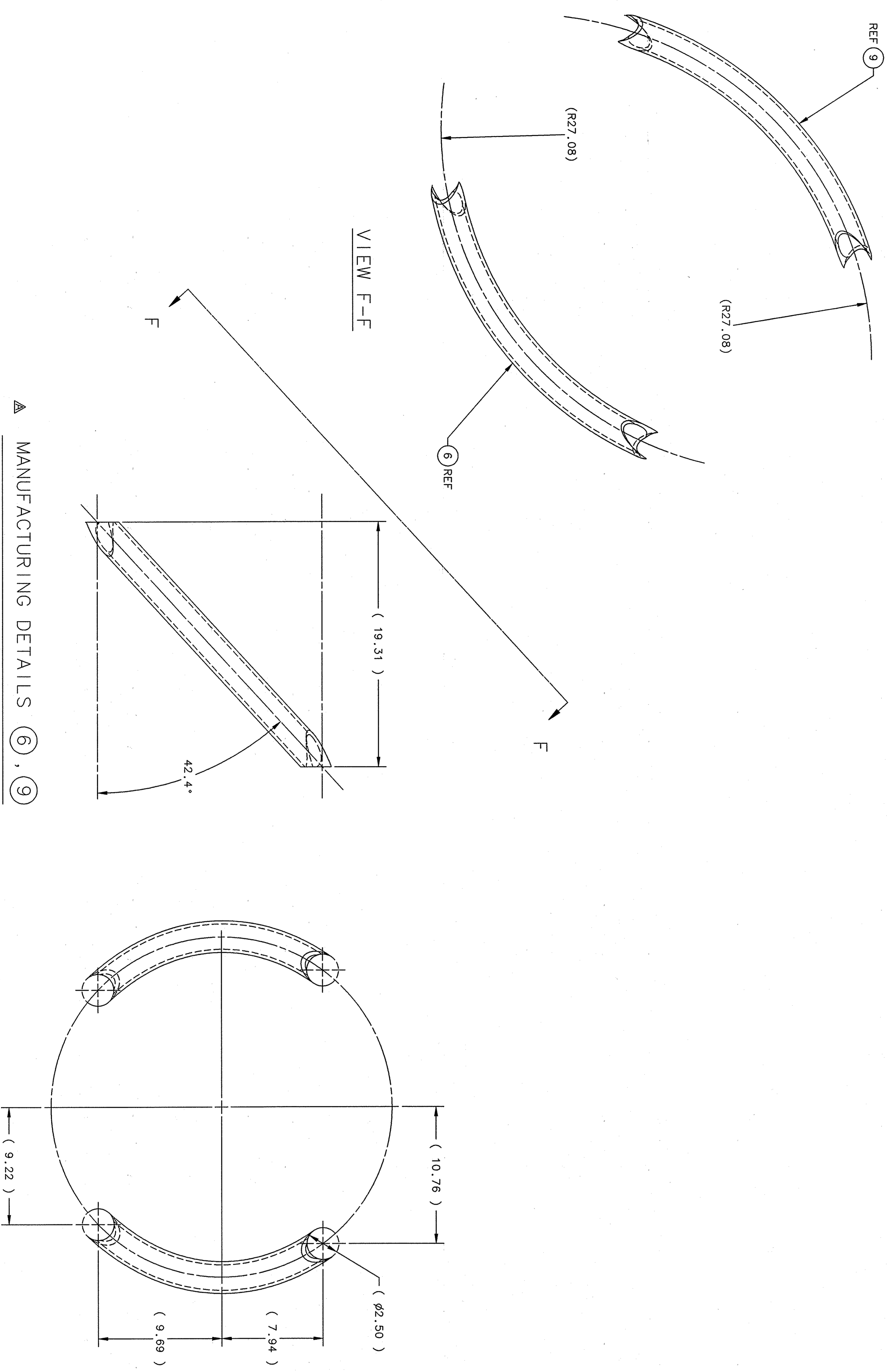


ZONE	REV	DESCRIPTION	DATE	APPROVED
1-3F	A	.75 MIN WAS .75 MIN (2 PLACES)	17JUL00	T. WALTHER
1-3E	A	1/8 .050/A WAS 1/16 .02		W. SOMMERDIER
1-3D	A	ADDED 3-4 TO WELD SYMBOL		
1-2C	A	1/2 .015 WAS 1/2 .010		
1-2A	A	TITLE BLOCK TOLERANCE .XX ±.030 WAS .XX ±.05		
2-6A	A	ADDED SHEET 2 TO PROVIDE MANUFACTURING DETAILS FOR ITEMS 6 & 9		JEH
1-2B	A	ADDED: ITEM 10, 2X .375-6UNC-2B THRU	26MAY02	Jeh
1-6B	A	2X .625-11UNC-2B THRU (2 PLACES)	20MAY02	Jeh
1-2B	B	4 TRENDS: FINISH QUALITY WAS 375-22UNC, 6.30 755 R12 / 75 WAS 755-280 / 810		
1-6E	A	WAS 755 MIN., 755 MIN.,		
1-3F	A	26.0°/230.0° WAS 28.0°		
1-5H	A			JEH



MANUFACTURING DETAILS ⑥, ⑨

SIZE DIMS: NO. 115630-1004E
 REV. E 1/4
 ISO 9001
 SHEET 2 OF 2

8 7 6 5 4 3 2 1

A B C D E F G H