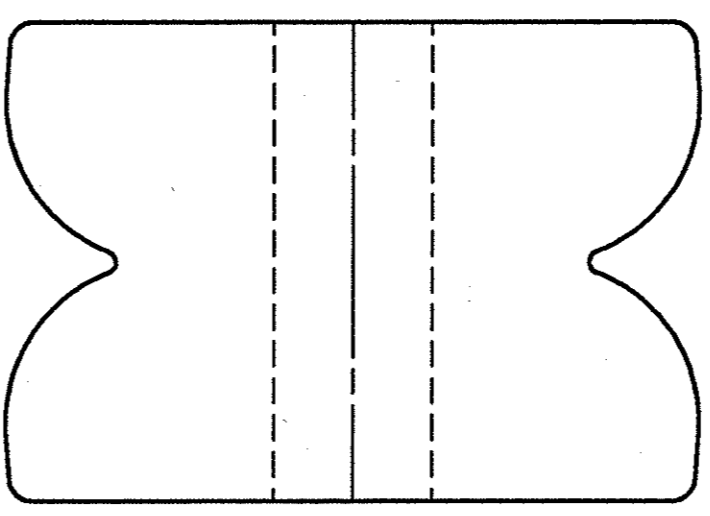
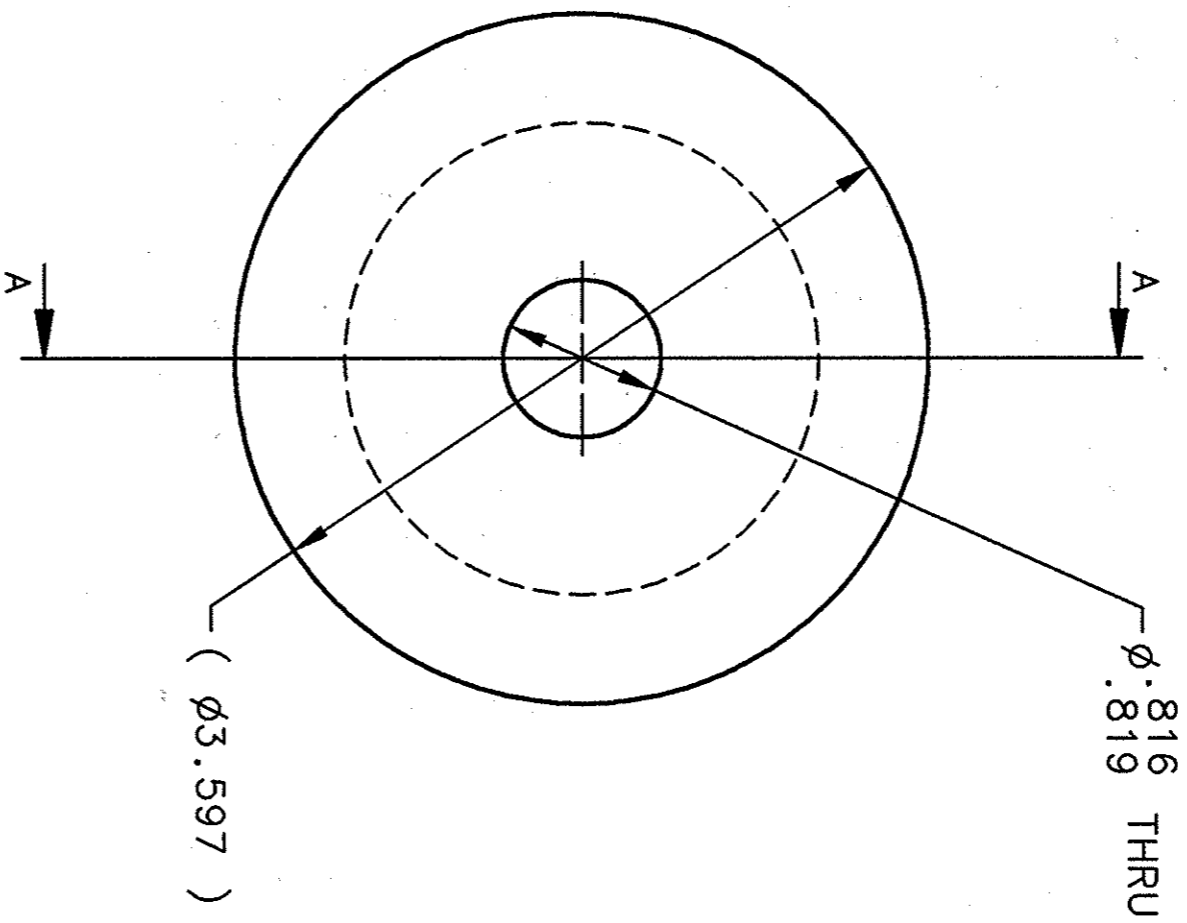


SECTION A-A



DIM. & TOL. PER ANSI Y14.5 DIMENSIONS SPECIFIED DIMENSIONS ARE IN INCHES TOLERANCES ARE: FRACTIONS DECIMAL ANGLES $\pm 1/64$ .XX ± .015 .XX ± .50° $\pm 1/64$ .XXX ± .005		CADD I.D. NO.: I-DEAS PROJ: 115600 LIBY: 115630		Thomas Jefferson National Accelerator Facility UNITED STATES DEPARTMENT OF ENERGY Jefferson Lab	
MATERIAL: STAINLESS STEEL GRADE 303		APPROVALS:		DATE:	
FINISH: 125 UNLESS OTHERWISE NOTED DEBURR & BREAK ALL SHARP EDGES		DRAWN: J. HENRY CHECKED: J. SOLOMON APPROVED: J. SOLOMON DATE: 11/22/00		20DEC99 11/22/00	
DO NOT SCALE DRAWING		SIZE DWG. NO. 115630-1018C SCALE 1/1		USED ON ASSY NO. 115630-1005C SHEET 1 OF 1	

