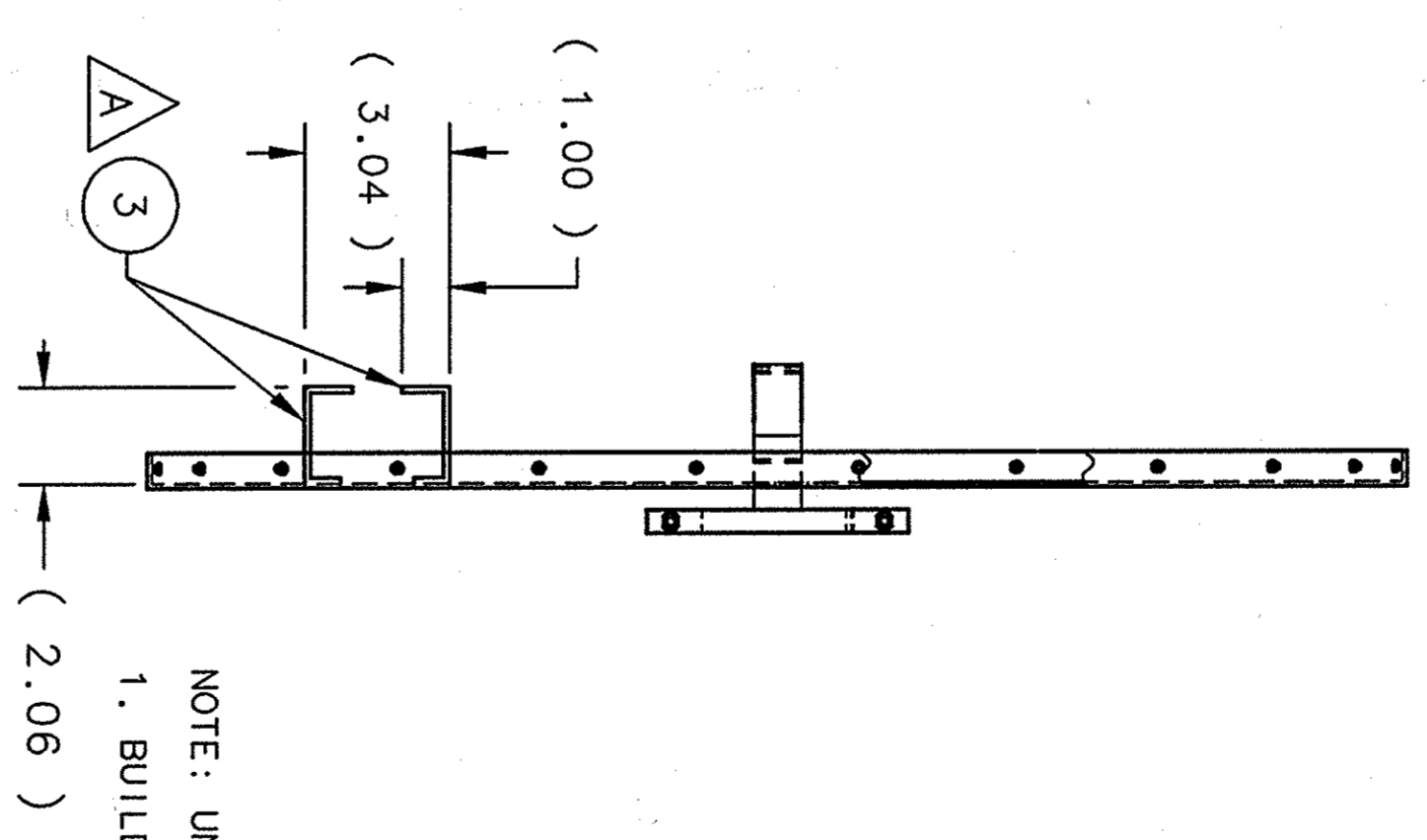
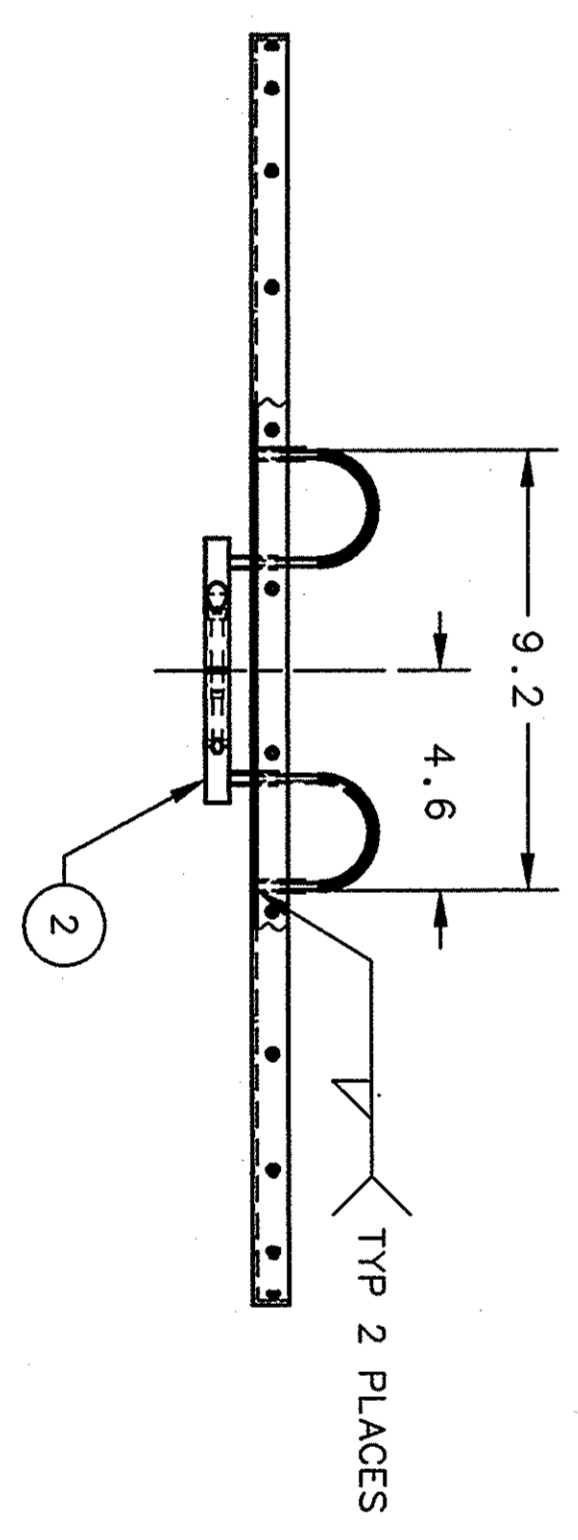
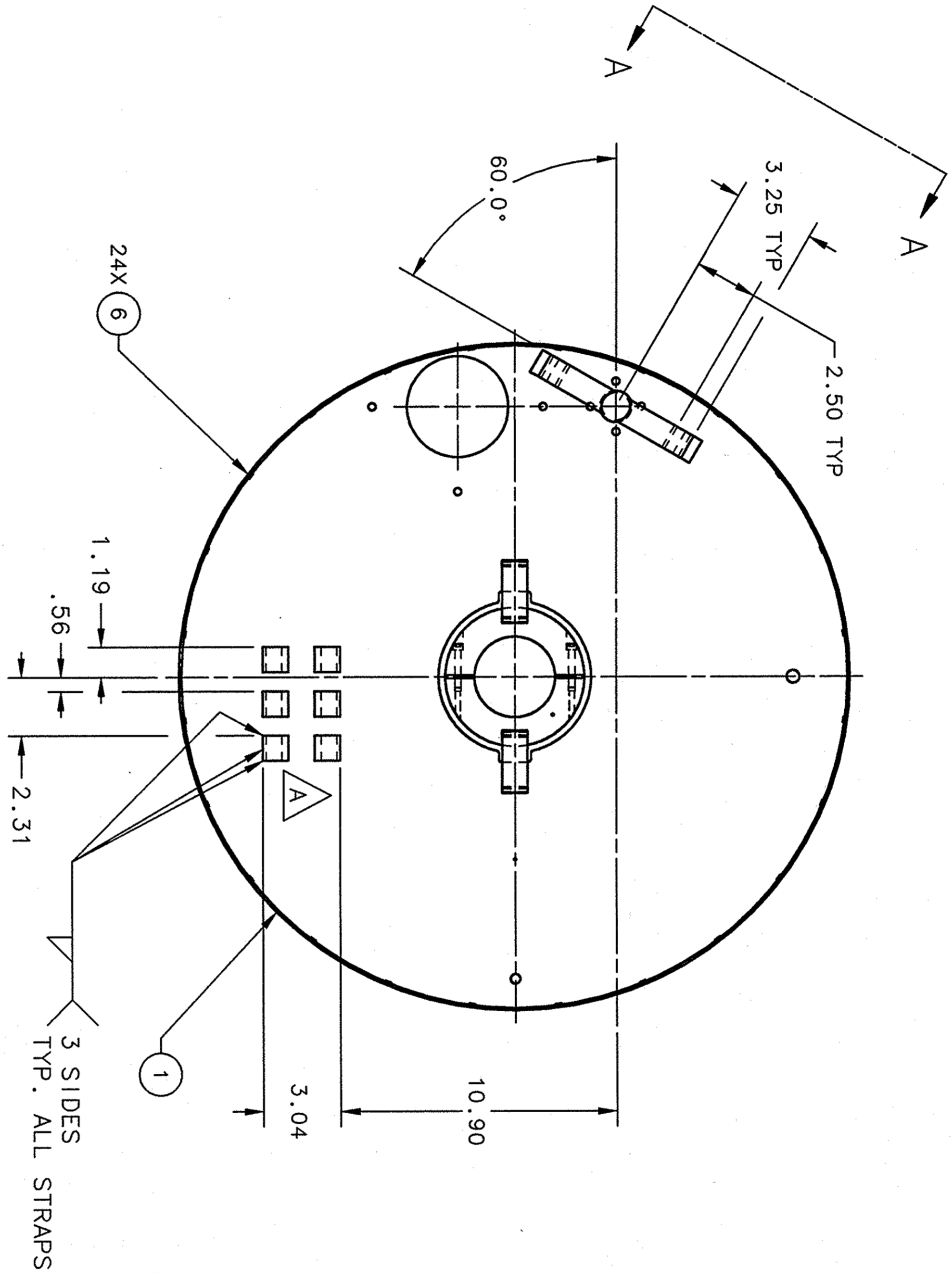
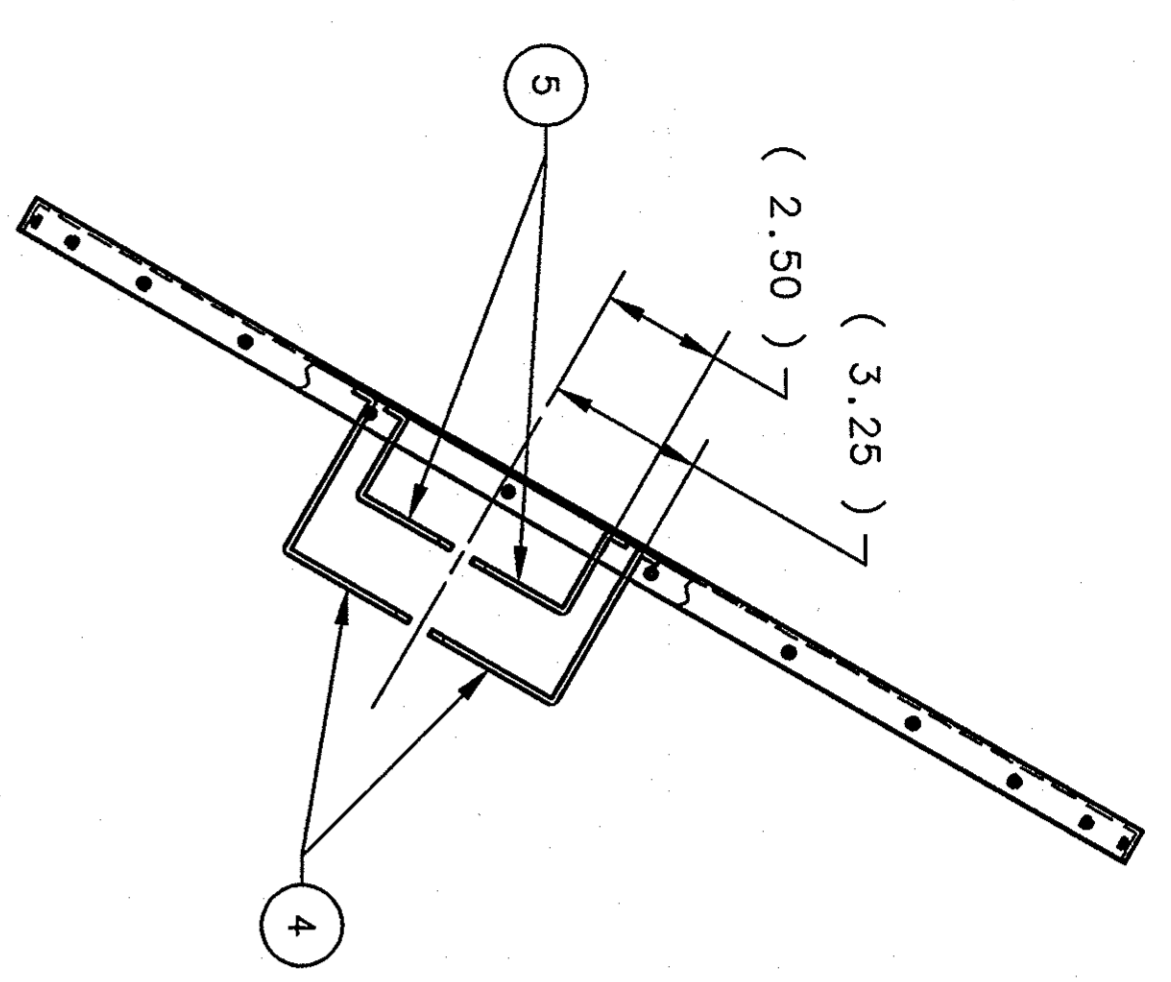


REVISION HISTORY			
ZONE	REV	DESCRIPTION	DATE
VAR	A	ITEM 3 (HEAT STATION STRAP) AND ASSOCIATED DIMS. RELOCATED.	23 JUN 03
			RDW 5/28/03



NOTE: UNLESS OTHERWISE SPECIFIED  
 1. BUILD END CANS PER SOW #115070-1007S.

SUGGESTED SOURCE:  
 PENN ENGINEERING & MANUFACTURING CORP  
 DANBORO, PA 18916-100  
 800-237-4726

ITEM	QTY	PART OR IDENTIFICATION	DESCRIPTION	MATERIAL SPECIFICATION	NOTES
24	6	PENN P/N QLS-440-3	PEM NUT		
2	5	115310-1011-2B	HEAT STATION STRAP		
2	4	115310-1011-1B	HEAT STATION STRAP		
6	3	115300-1010B	HEAT STATION STRAP		
1	2	115310-1012C	BEAM TUBE HEAT STATION		
1	1		SHIELD FLANGE	COPPER .094 THK OFHC-C102	

DATA & YOU PER ANSI Y14.5 UNLESS OTHERWISE SPECIFIED DIMENSIONS ARE IN INCHES FRACTIONS DECIMAL ANGLES #1/64 .XX #.015 #.50* .XXX #.005		CADD I.D. NO.: 1-DEAS PROJ: 115000 LIBRY: 115300	Thomas Jefferson National Accelerator Facility UNITED STATES DEPARTMENT OF ENERGY
FINISH: UNLESS OTHERWISE NOTED DEBURR & BREAK ALL SHARP EDGES	DRAWN: J. HENRY CHECKED: J. TAKACS APPROVED: AL. GUERRA JR. M. MUSEMAN	DATE: 09MAR00 DATE: 19JUL00 DATE: 31JUL00	SRF LINAC / CRYOMODULE 1998 RETURN END CAN SHIELD FLANGE ASSY
DO NOT SCALE DRAWING	SCALE: 1/4	SHEET NO. 115300-1009D	SHEET 1 OF 2

