

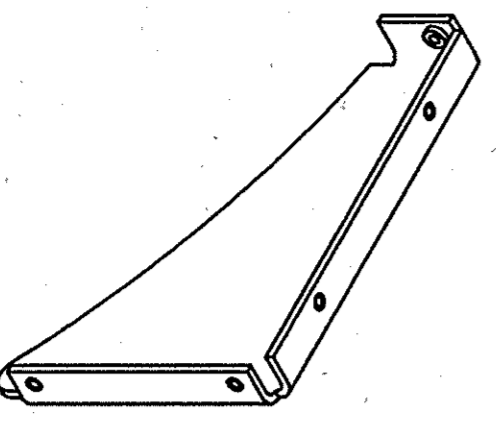
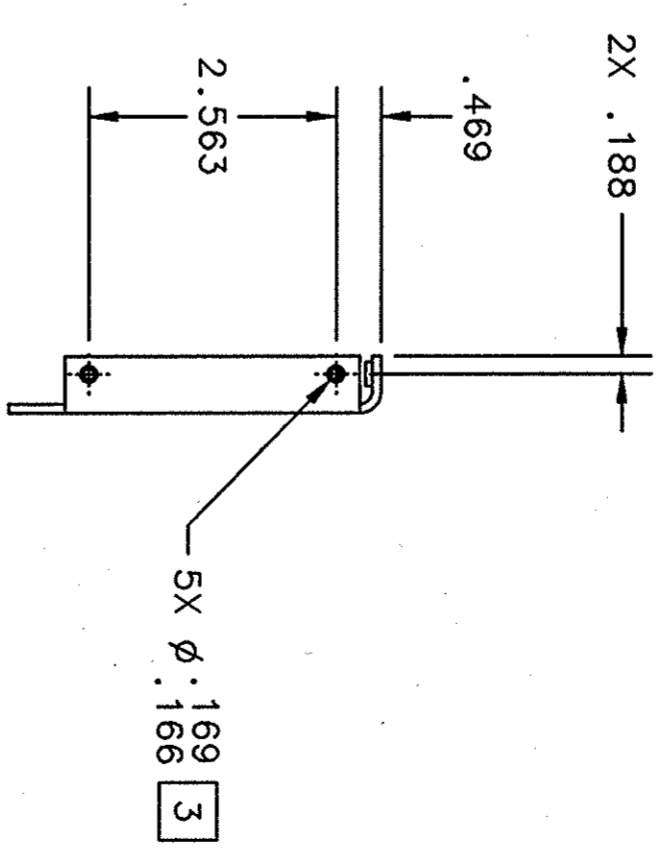
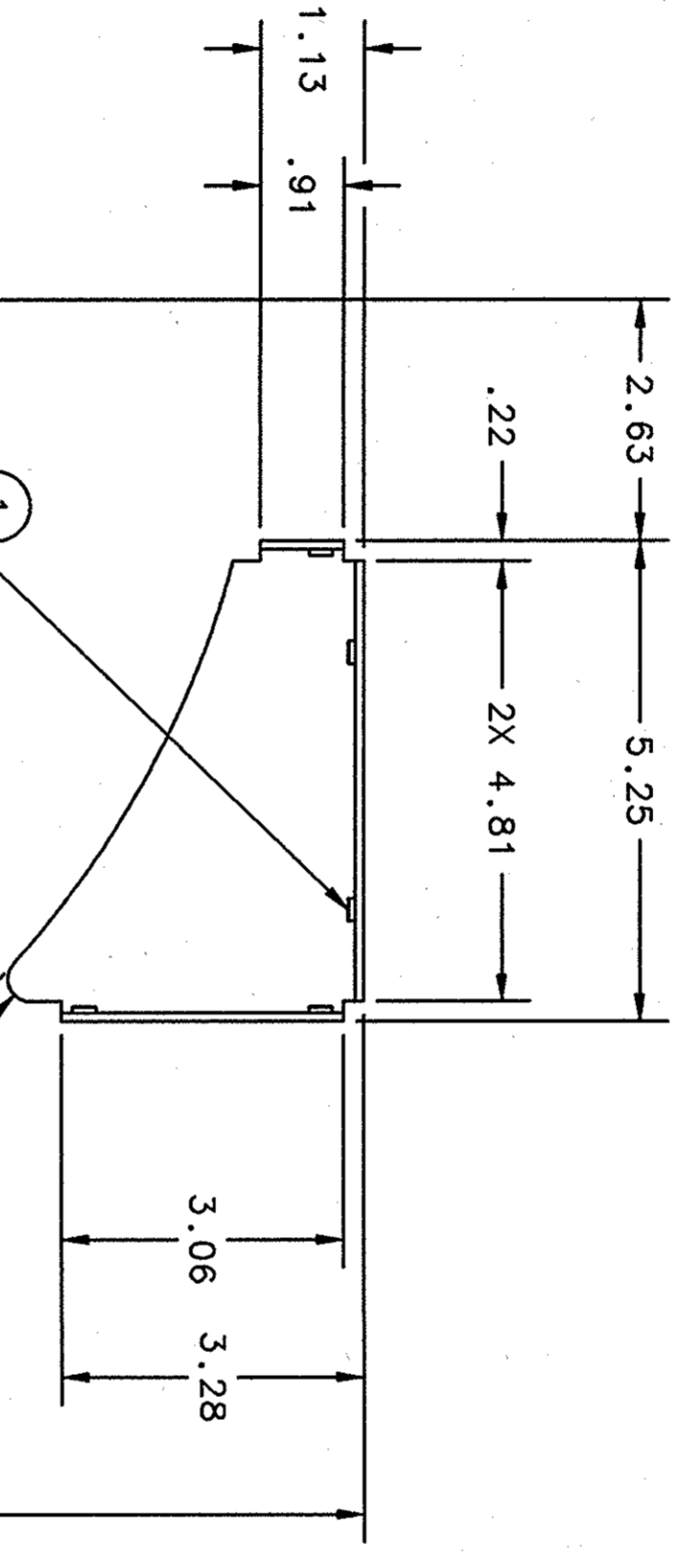
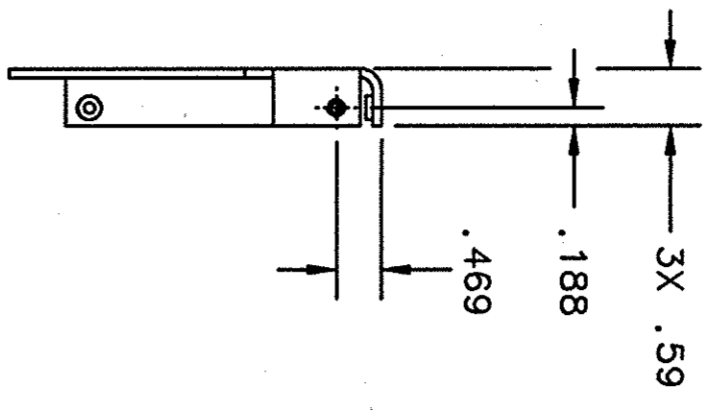
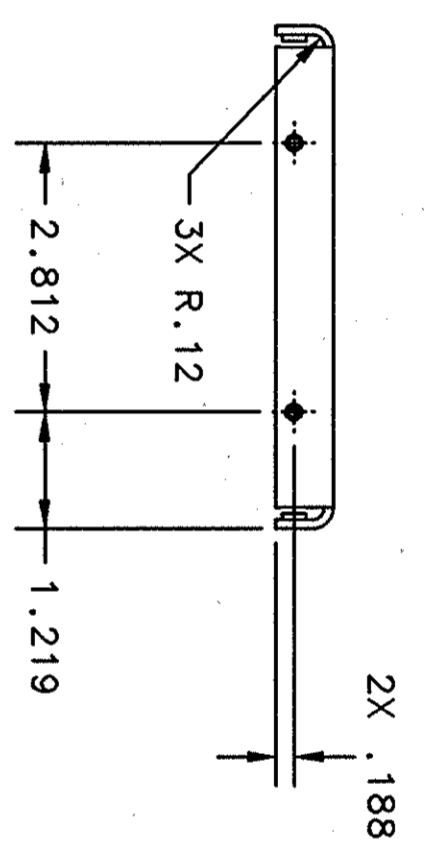
4

3

2

1

- NOTES: UNLESS OTHERWISE NOTED
1. BUILT PER SOW #115070-1007S.
 2. SUGGESTED SOURCES (OR EQUIVALENT):
A. PEM CORP. : (800-237-4736) ; CAGE - 46384
 3. DO NOT DE-BURR PRIOR TO INSTALLATION OF ITEM 1.



ISOMETRIC VIEW
(FOR PICTORIAL REFERENCE ONLY)

REVISION HISTORY		
ZONE	REV	DESCRIPTION

5	1	CLS-440-3	SELF-CLINCHING NUT NO. 4 (.112)-40UNC	2A,3		
QTY REQD		ITEM NO.	PART OR IDENTIFYING NO.	NON-ENGLISH OR DESCRIPTION	MATERIAL SPECIFICATION	NOTES
DIM & TOL PER ANSI Y14.5 UNLESS OTHERWISE SPECIFIED DIMENSIONS ARE IN INCHES TOLERANCES ARE: FRACTIONS DECIMAL ANGLES ±1/64 .XXX ±.015 .XXX ±.005 ±.50°						
MATERIAL		CADD I.D. NO.: I-DEAS		Thomas Jefferson National Accelerator Facility UNITED STATES DEPARTMENT OF ENERGY		
COPPER OFHC-C102, .094THK		PROJ: 115000 LBRV: 115300		SRF		
DRAWN M. SNYDER		DATE 23/04/01		LINAC/CRYMODULE 1998 RETURN END CAN THERMAL SHIELD INNER PLATE DETAIL		
CHECKED James Joban		DATE 20 SEP 01		115300-1046C		
APPROVED M. Snyder		DATE 20 SEP 01		SCALE 1/2		
FINISH 125 DEBURR & BREAK ALL SHARP EDGES		OTHERWISE NOTED		USED ON ASSY NO. 115300-1040E		
DO NOT SCALE DRAWING		APPROVED M. Snyder		SHEET 1 OF 1		

100

4

3

2

1