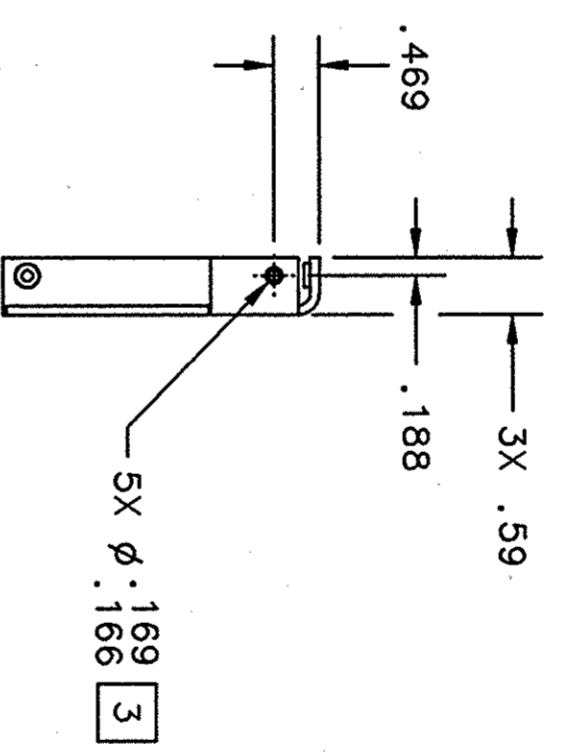
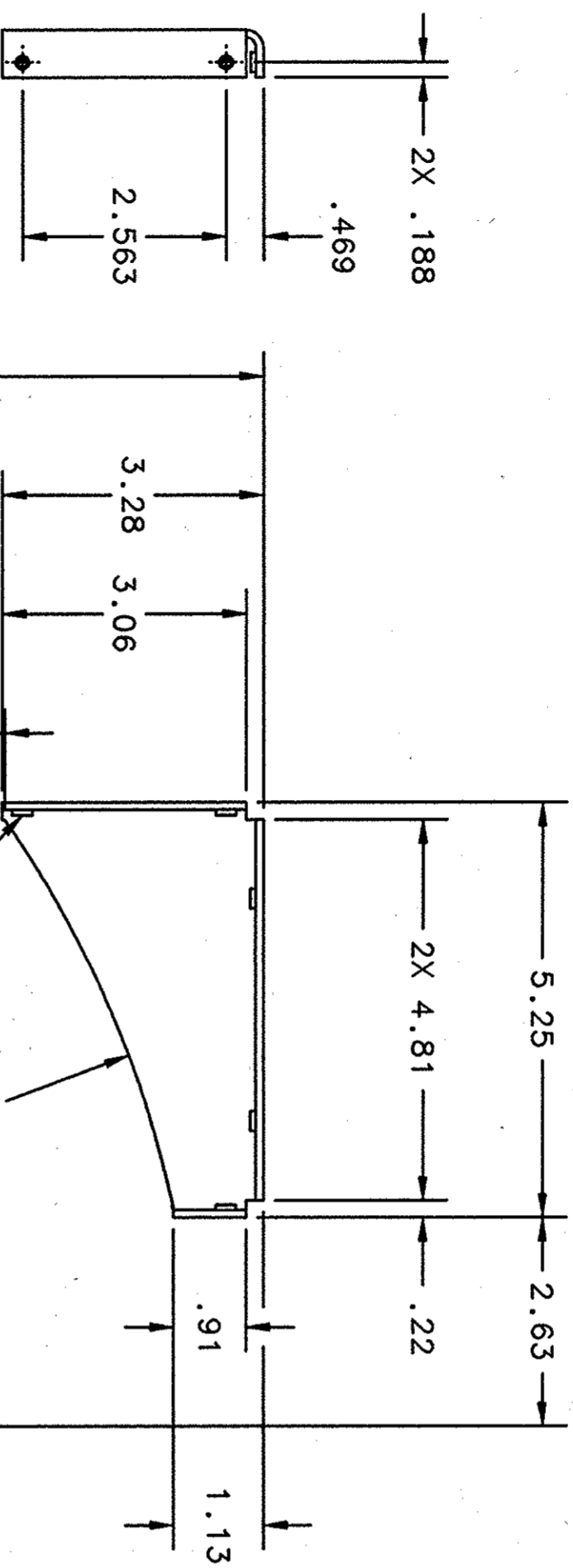
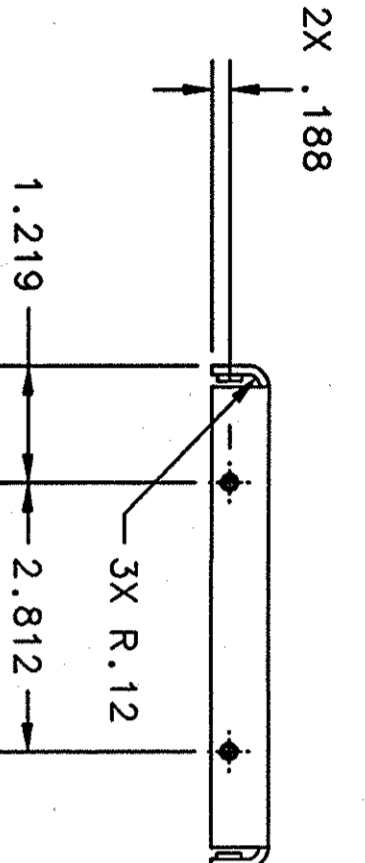


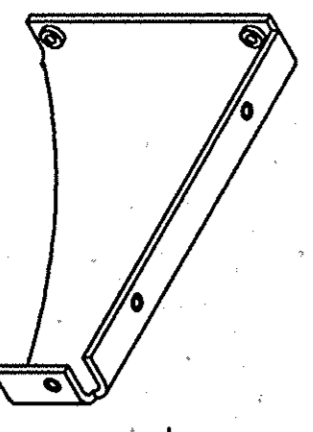
REVISION HISTORY			DATE	APPROVED
ZONE	REV	DESCRIPTION		



NOTES: UNLESS OTHERWISE NOTED

1. BUILD PER SOW #115070-1007S.
2. SUGGESTED SOURCES (OR EQUIVALENT):  
A. PEM CORP. : (800-237-4736) : CAGE - 46384
3. DO NOT DE-BURR PRIOR TO INSTALLATION OF ITEM 1.

**DCS**



ISOMETRIC VIEW  
(FOR PICTORIAL REFERENCE ONLY)

QTY	ITEM	PART OR IDENTIFYING NO.	NONENERGICATURE OR DESCRIPTION	MATERIAL SPECIFICATION	NOTES
5	1	CLS-440-3	SELF-CLINCHING NUT NO. 4 (.112)-40UNC		2A,3

DIM & TOL PER ANSI Y14.5 - UNLESS OTHERWISE SPECIFIED TOLERANCES ARE IN INCHES FRACTIONS DECIMAL ANGLES		CADD I.D. NO.: I-DEAS	
±1/64	.XXX ±.005	PROJ: 115000	LIBRY: 115300
MATERIAL COPPER OFHC-C102, .094THK		APPROVALS	
FINISH 125 UNLESS OTHERWISE NOTED		DRAWN M. SNYDER	DATE 23/04/01
DEBURR & BREAK ALL SHARP EDGES		CHECKED <i>J. Jones</i>	20 Sep 01
DO NOT SCALE DRAWING		APPROVED <i>John Jones</i>	20/9/01

Thomas Jefferson National Accelerator Facility UNITED STATES DEPARTMENT OF ENERGY	LINAC/CRYMODULE 1998 RETURN END CAN THERMAL SHIELD OUTER PLATE DETAIL
Jefferson Lab	SRF
SIZE DWG. NO. 115300-1047C	SCALE 1/2
USED ON ASSY NO. 115300-1040E	SHEET 1 OF 1

4 3 2 1

DWG. NO. 115300-1047C SHT. 1 REV. 1