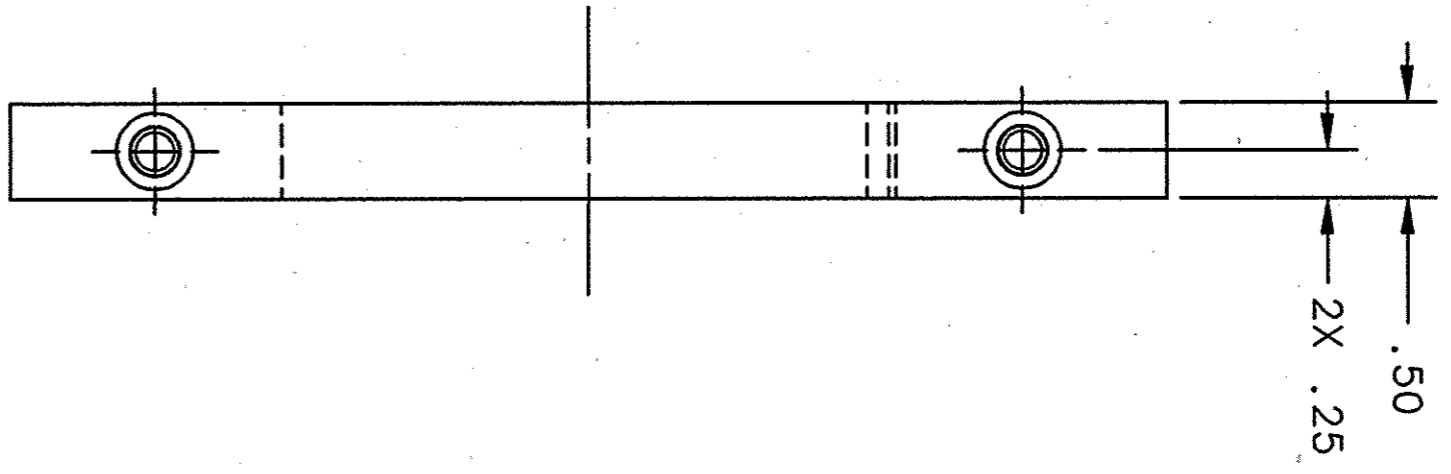
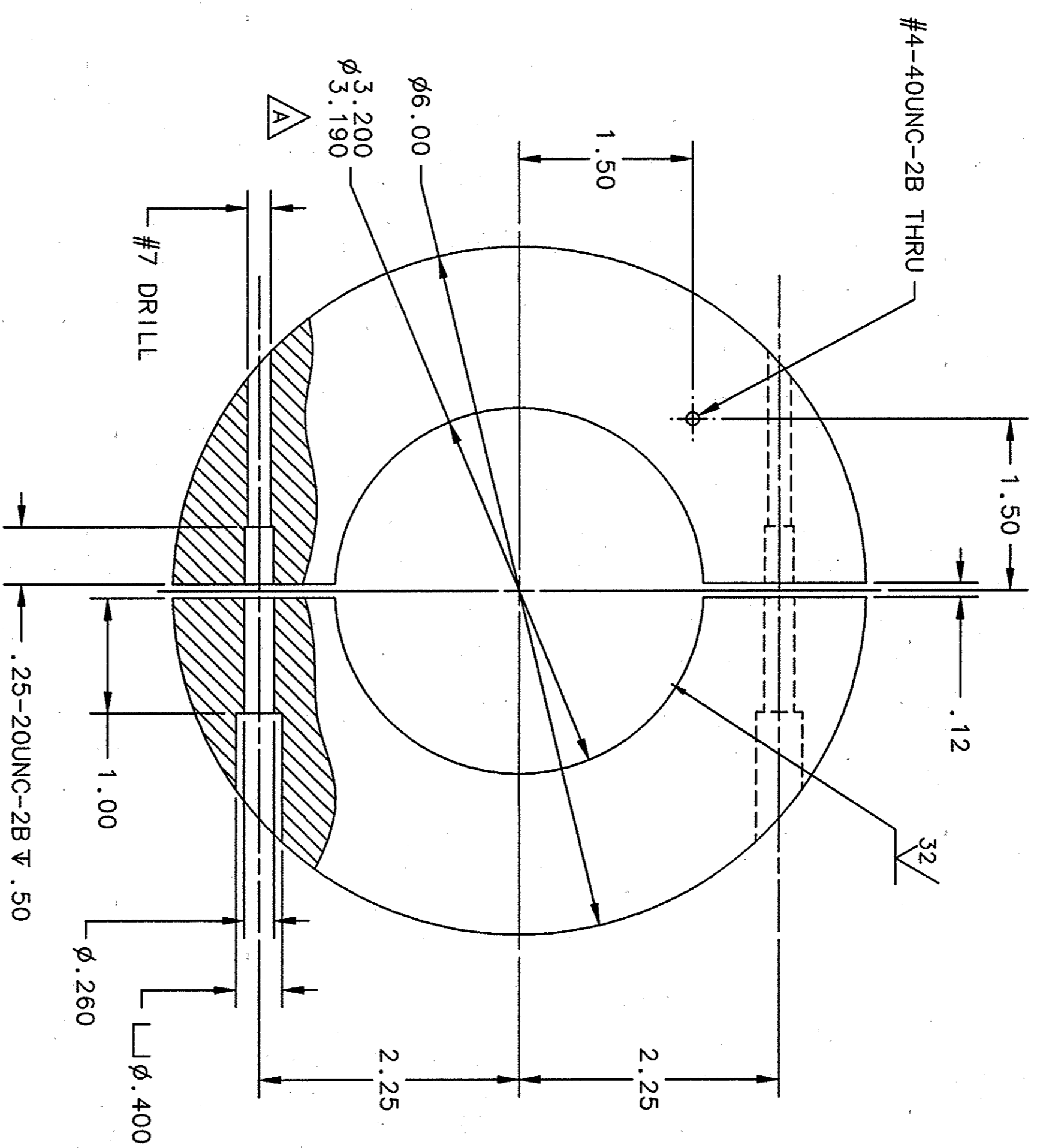
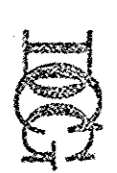


REVISION HISTORY				
ZONE	REV	DESCRIPTION	DATE	APPROVED
B4	A	DIM $\phi 3.200/3.190$ WAS $\phi 3.010/3.000$	12 JUNE 01	J. Henry
			13 JUNE	Agg...



NOTE: UNLESS OTHERWISE SPECIFIED  
1. BUILD END CANS PER SOW #115070-1007S



DIM & TOL PER ANSI Y14.5 UNLESS OTHERWISE SPECIFIED DIMENSIONS ARE IN INCHES TOLERANCES ARE: FRACTIONS DECIMAL ANGLES $\pm 1/64$ $\pm .005$ $\pm .50^\circ$ .XXX $\pm .005$		CADD I.D. NO.: I-DEAS PROJ: 115000 LBRY: 115310		Thomas Jefferson National Accelerator Facility UNITED STATES DEPARTMENT OF ENERGY	
MATERIAL COPPER OFHC-C102		APPROVALS DRAWN J. HENRY 08MAR00		SRF LINAC / CRYMODULE 1998 SUPPLY END CAN BEAM TUBE CLAMP DETAIL	
FINISH 125 UNLESS OTHERWISE NOTED DEBURR & BREAK ALL SHARP EDGES		CHECKED J TAKACS 25JUL00		SIZE DWG. NO. 115310-1013C	
DO NOT SCALE DRAWING		APPROVED A GUERRA 7/31/00		SCALE 1/1 USED ON ASSY NO. 115310-1012C	
		APPROVED M WISEMAN 8/2/00		SHEET 1 OF 1 REV. A	

DIMENSIONS SHOWN ARE TYPICAL