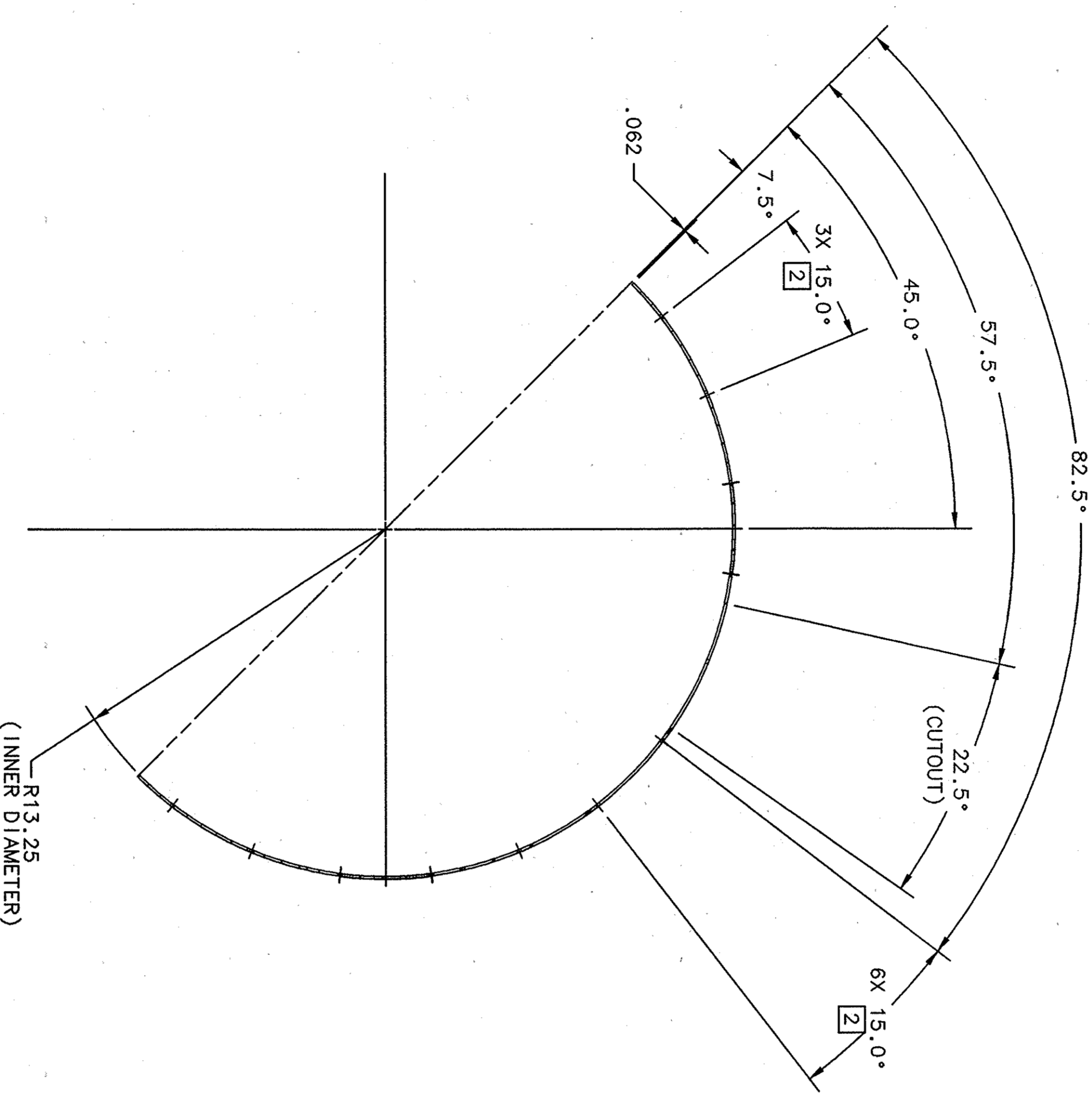
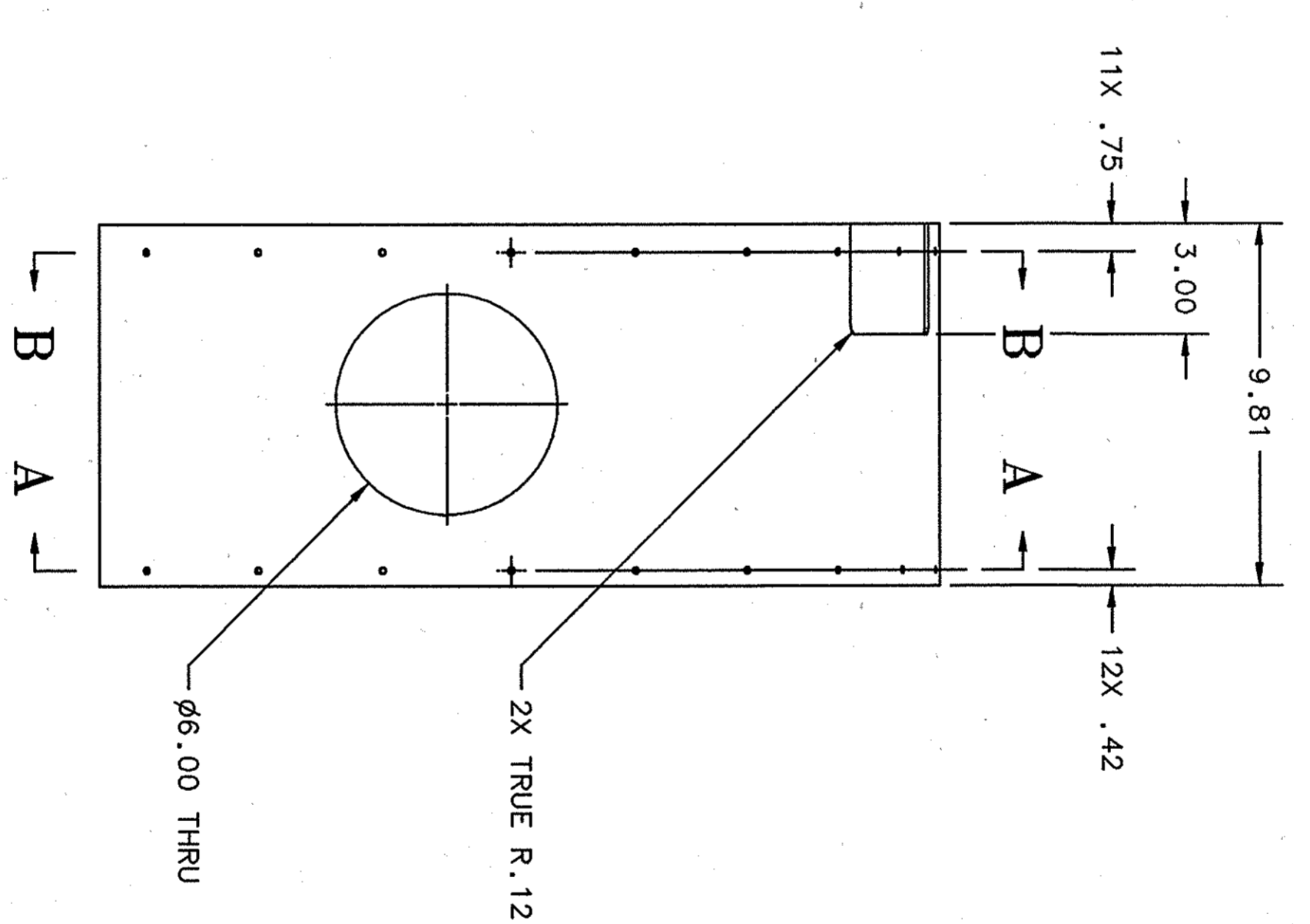


NOTES: UNLESS OTHERWISE NOTED  
 1. BUILD PER SOW #115070-1007S.  
 2. TOLERANCES TO BE NON-CUMULATIVE.

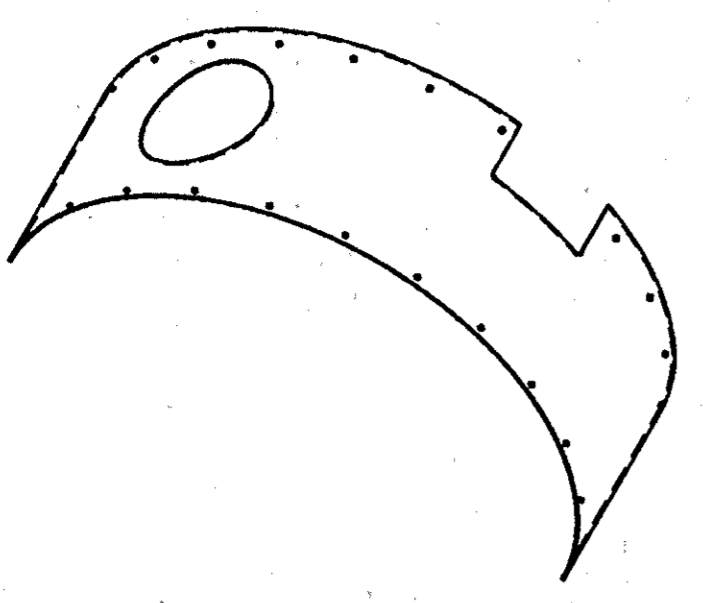
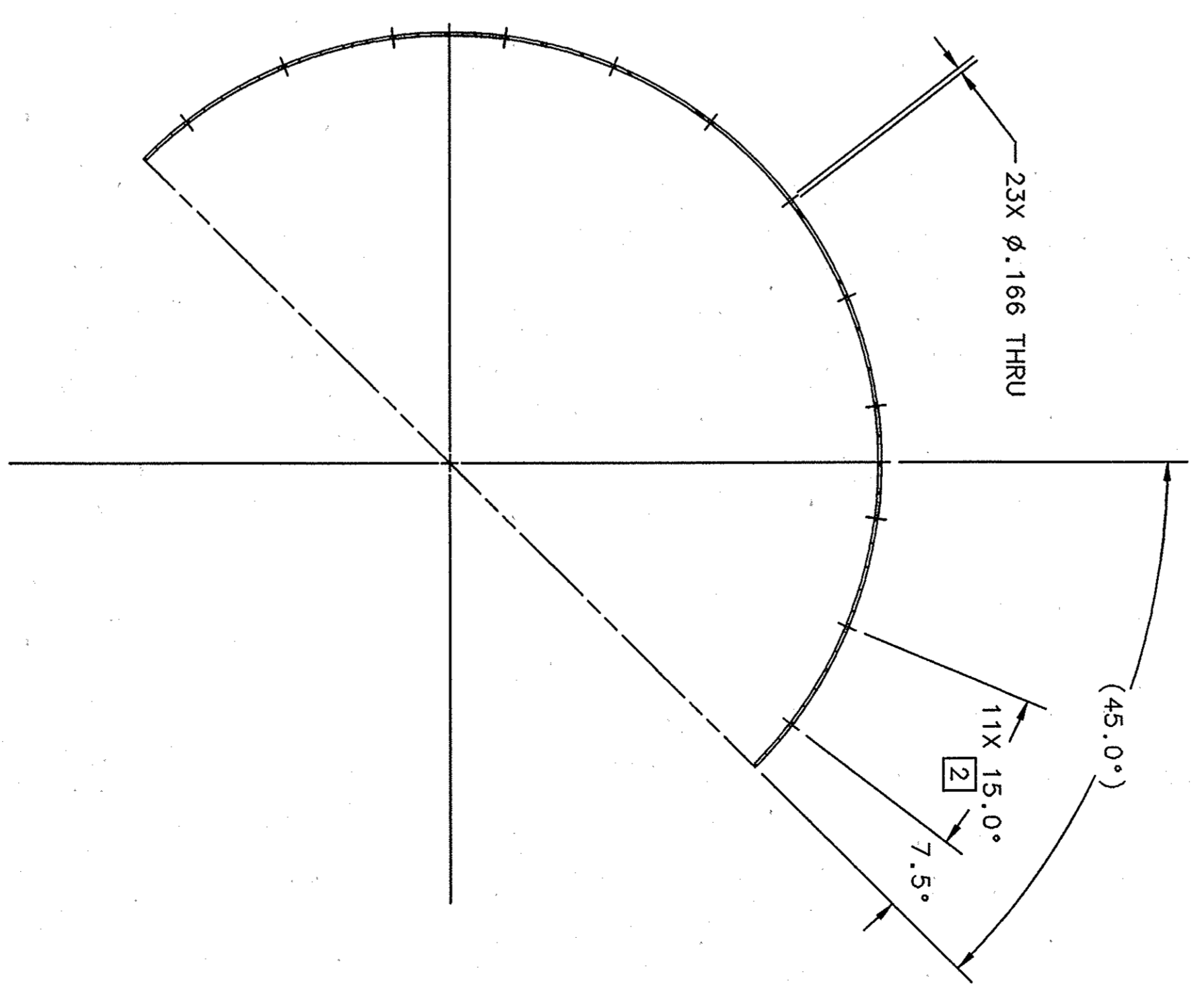
DWG. NO.	115310-1077D	SHT.	1	REV.	-
REVISION HISTORY					
ZONE	REV	DESCRIPTION	DATE	APPROVED	



SECTION B-B



SECTION A-A



ISOMETRIC VIEW

(FOR PICTORIAL REFERENCE ONLY)

DIM & TOL. PER ANSI Y14.5. UNLESS OTHERWISE SPECIFIED TOLERANCES ARE: IN INCHES FRACTIONS DECIMAL ANGLES ±1/64 .XXX ±.015 ±.50°		CADD I.D. NO.: 1-DBAS PROJ: 115000 LIBR: 115310		Thomas Jefferson National Accelerator Facility UNITED STATES DEPARTMENT OF ENERGY	
MATERIAL: COPPER OFHC-C102. FINISH: 125 UNLESS NOTED DEBURR & BREAK ALL SHARP EDGES DO NOT SCALE DRAWING		CHECKED: <i>[Signature]</i> APPROVED: <i>[Signature]</i> DRAWN: M. SNYDER DATE: 04/19/01		SRF LINAC/CRYMODULE 1998 SUPPLY END CAN THERMAL SHIELD DETAIL	
SIZE DWG. NO.: 115310-1077D SHEET 1 OF 1		REV.		SHEET 1 OF 1	

