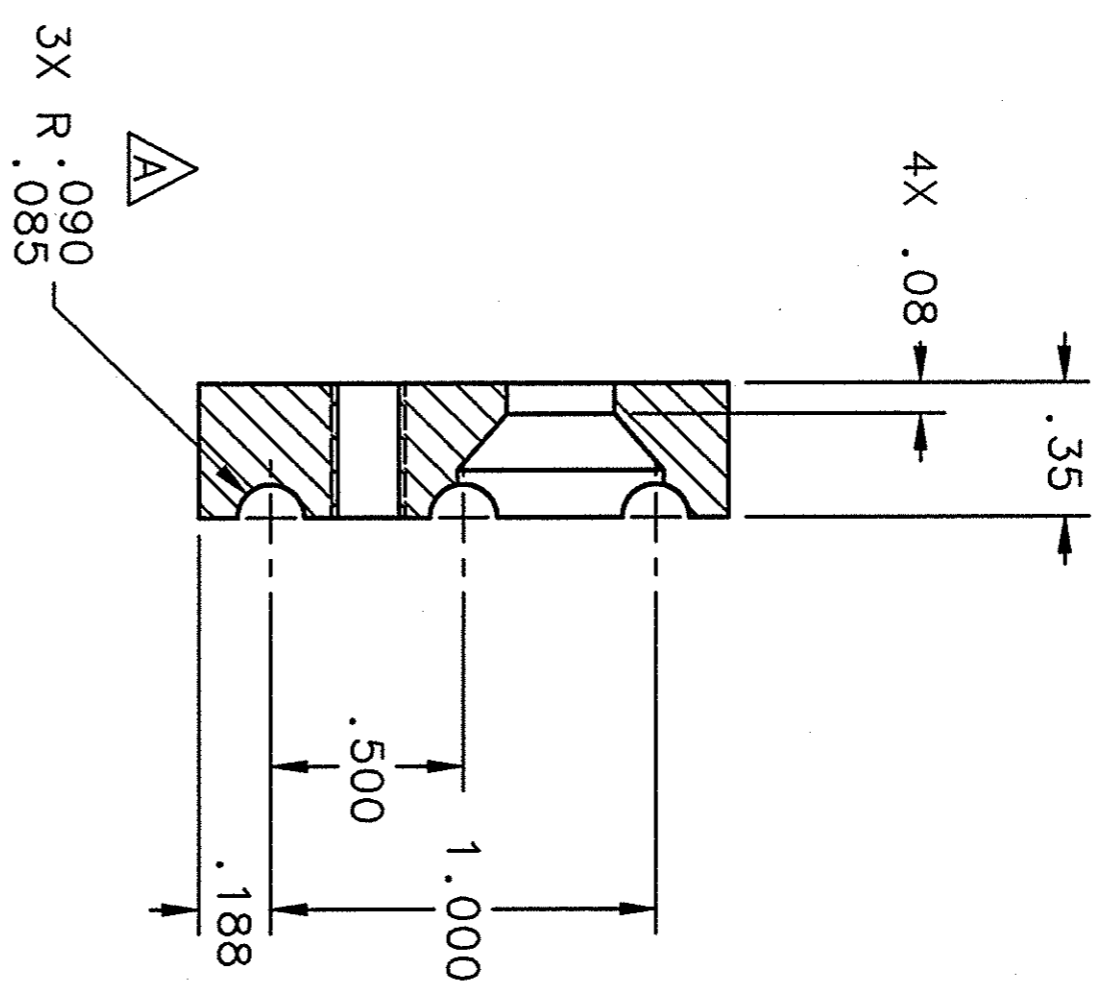
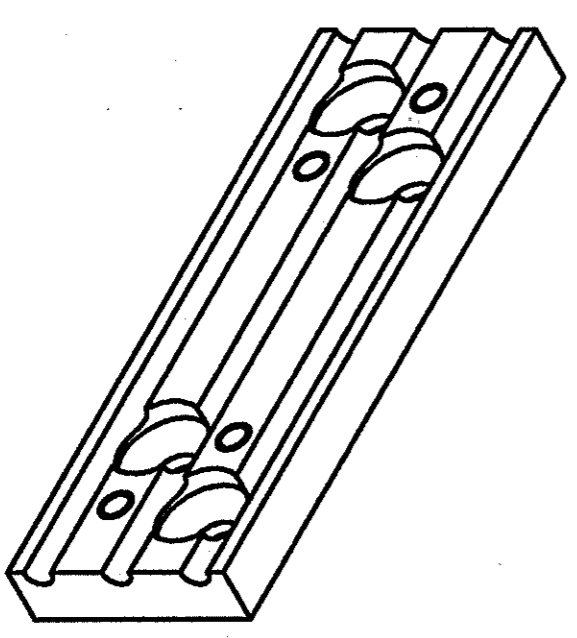


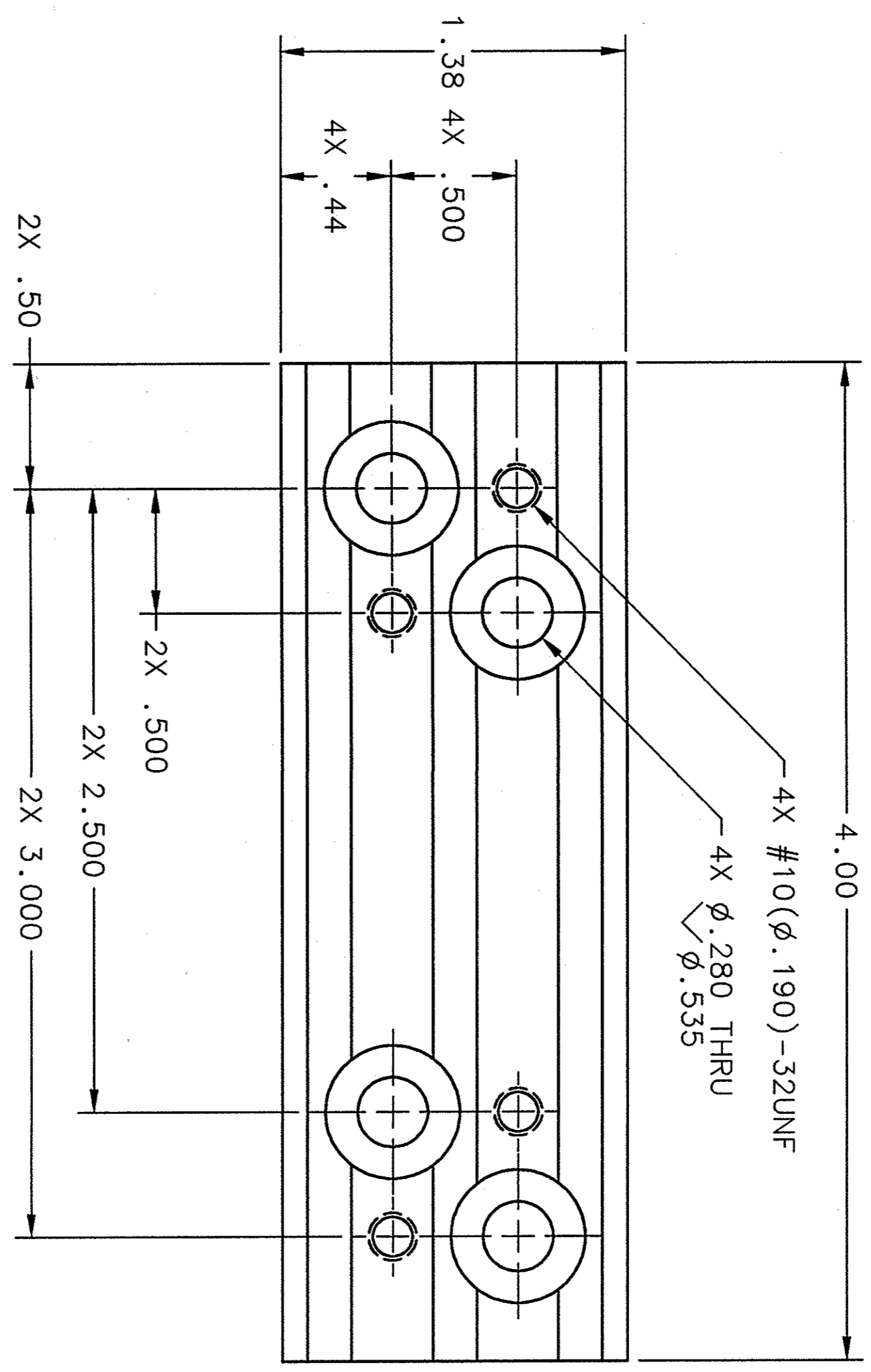
REVISION HISTORY				
ZONE	REV	DESCRIPTION	DATE	APPROVED
ALL	A	DIM "R.090/.085" WAS "φ.196/.191"	APR 29 1982	<i>[Signature]</i>
			MAY 3 1982	<i>[Signature]</i>



SECTION A-A



ISOMETRIC VIEW
(FOR PICTORIAL REFERENCE ONLY)



DOCUMENT CONTROL STAMP		DIM & TOL PER ASME Y14.5 UNLESS OTHERWISE SPECIFIED DIMENSIONS ARE IN INCHES FRACTIONS DECIMAL		TRACKING NO. 115000 115550		Thomas Jefferson National Accelerator Facility UNITED STATES DEPARTMENT OF ENERGY	
MATERIAL OFE COPPER		THIRD ANGLE PROJECTION		APPROVALS		DATE	
FINISH MACHINED SURFACES DEBURR & BREAK ALL SHARP EDGES		UNLESS OTHERWISE NOTED		DRAWN M. SWIDER		02MAR02	
DO NOT SCALE DRAWING		ANGLES ±.50°		CHECKED JAMES IMKAS		15AUG02	
		ANGLES ±.01		APPROVED JAMES IMKAS		15AUG02	
		ANGLES ±.005		APPROVED AL GUERRA JR		15AUG	
		ANGLES ±.50°		SCALE 2:1		SHEET 1 OF 1	
		ANGLES ±.50°		SIZE DWG. NO. 115650-1103C		REV. A	
		ANGLES ±.50°		CABLE BASE, HEAT STATION DETAIL			
		ANGLES ±.50°		SRF			
		ANGLES ±.50°		LINAC/CRYMODULE 1998			
		ANGLES ±.50°		SHIELDS & INSULATION			
		ANGLES ±.50°		CABLE BASE, HEAT STATION DETAIL			