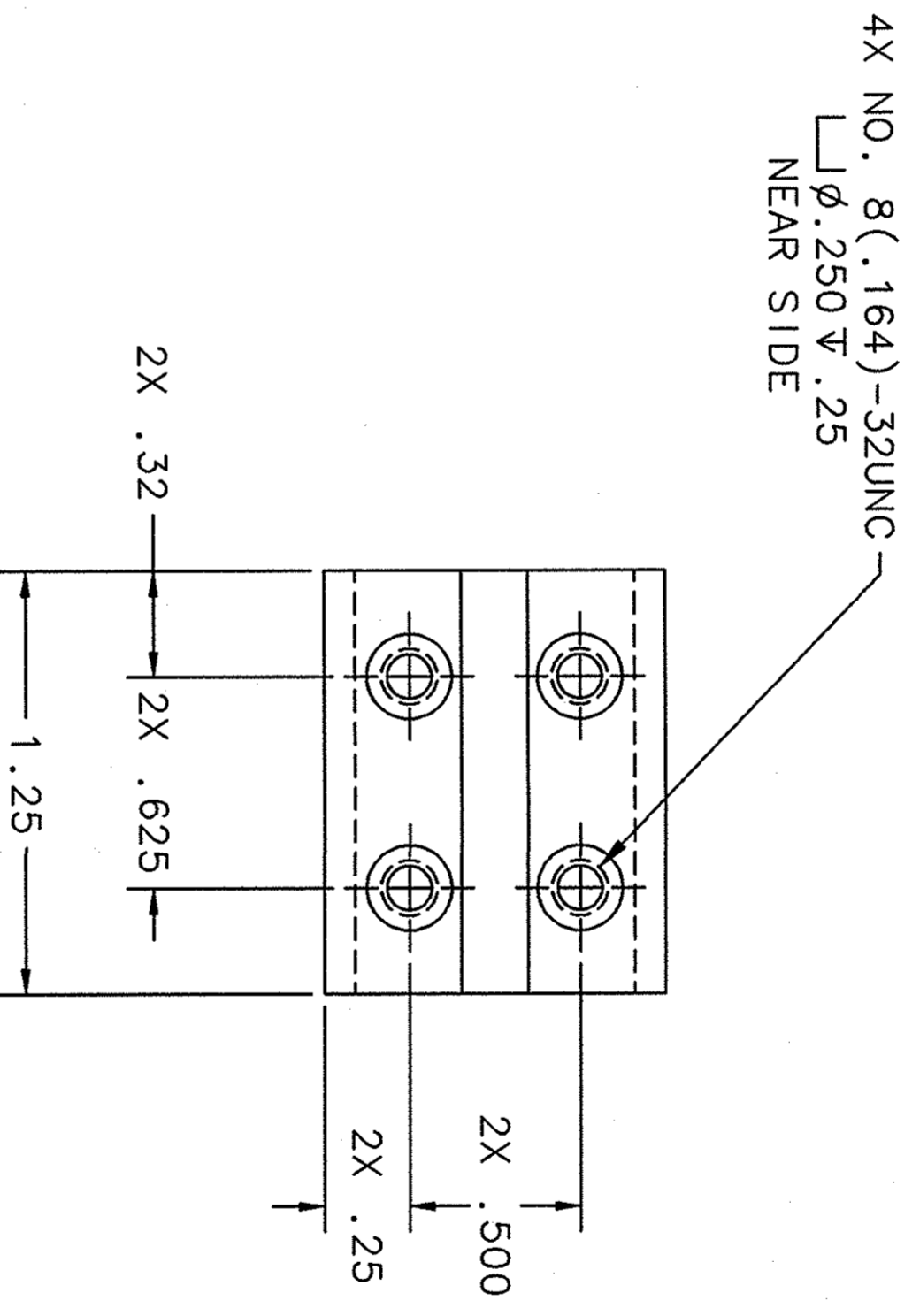
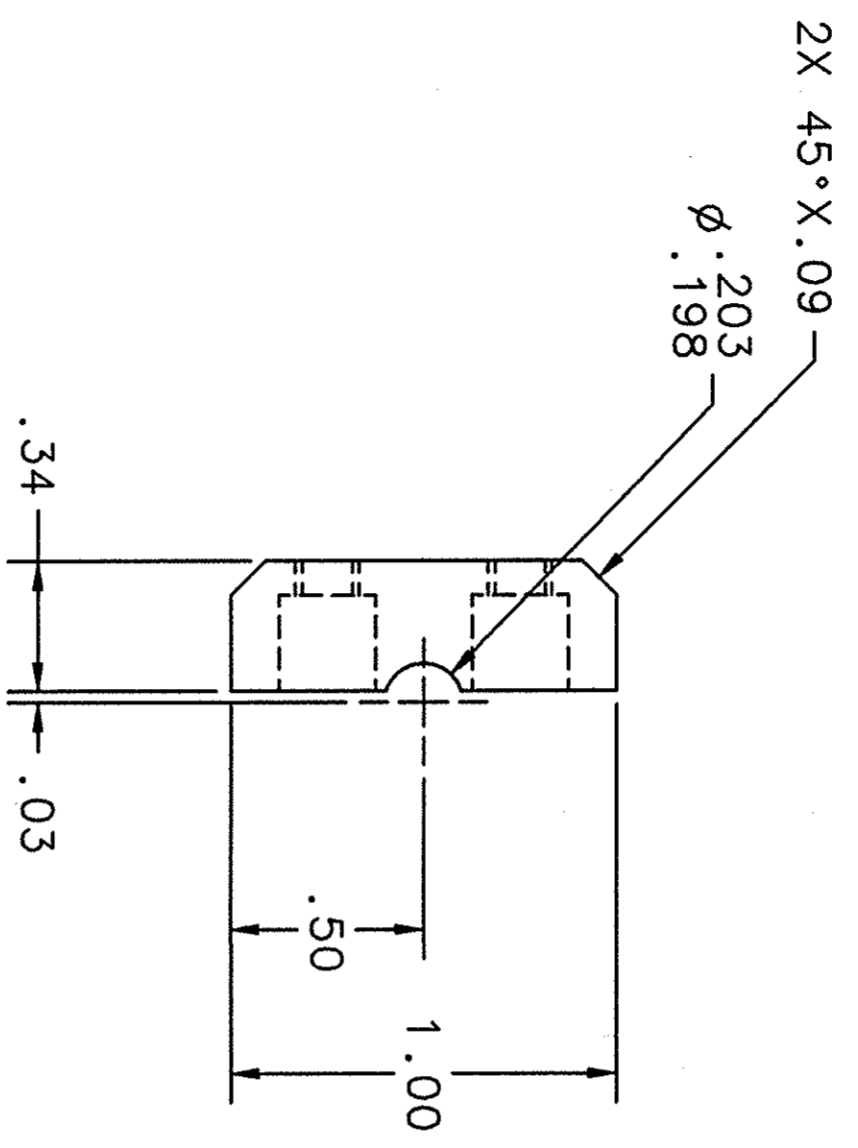


REVISION HISTORY		
ZONE	REV	DESCRIPTION

DATE	APPROVED



NOTES:

1. FABRICATE SHIELD AND INSULATION PER SOW #115070-1008S.

DOCUMENT CONTROL STAMP		DRAWING TITLE		TRACKING NO.		DATE		SCALE			
 COPPER		DIV & TOL PER ASME Y14.5 UNLESS OTHERWISE SPECIFIED DIMENSIONS ARE IN INCHES FRACTIONS DECIMAL ANGLES \pm N/A .XX \pm .01 \pm .50° .XXX \pm .005		APPROVALS DRAWN: M. SHORR CHECKED: [Signature] APPROVED: [Signature]		115000 115650		16DEC 16DEC		2:1 115650-1104C	
FINISH MACHINED SURFACES DEBURR & BREAK ALL SHARP EDGES UNLESS OTHERWISE NOTED DO NOT SCALE DRAWING		THIRD ANGLE PROJECTION 		Thomas Jefferson National Accelerator Facility UNITED STATES DEPARTMENT OF ENERGY SRF		LINAC/CRYMODULE 1998 SHIELDING & INSULATION ADJACENT BLOCK CLAMP DETAIL		REV. -		SHEET 1 OF 1	