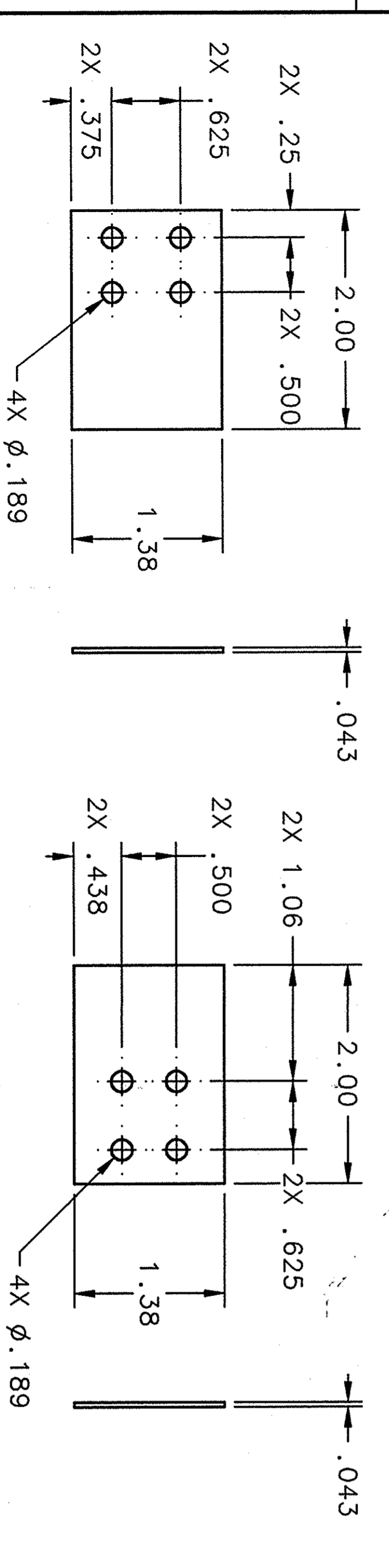
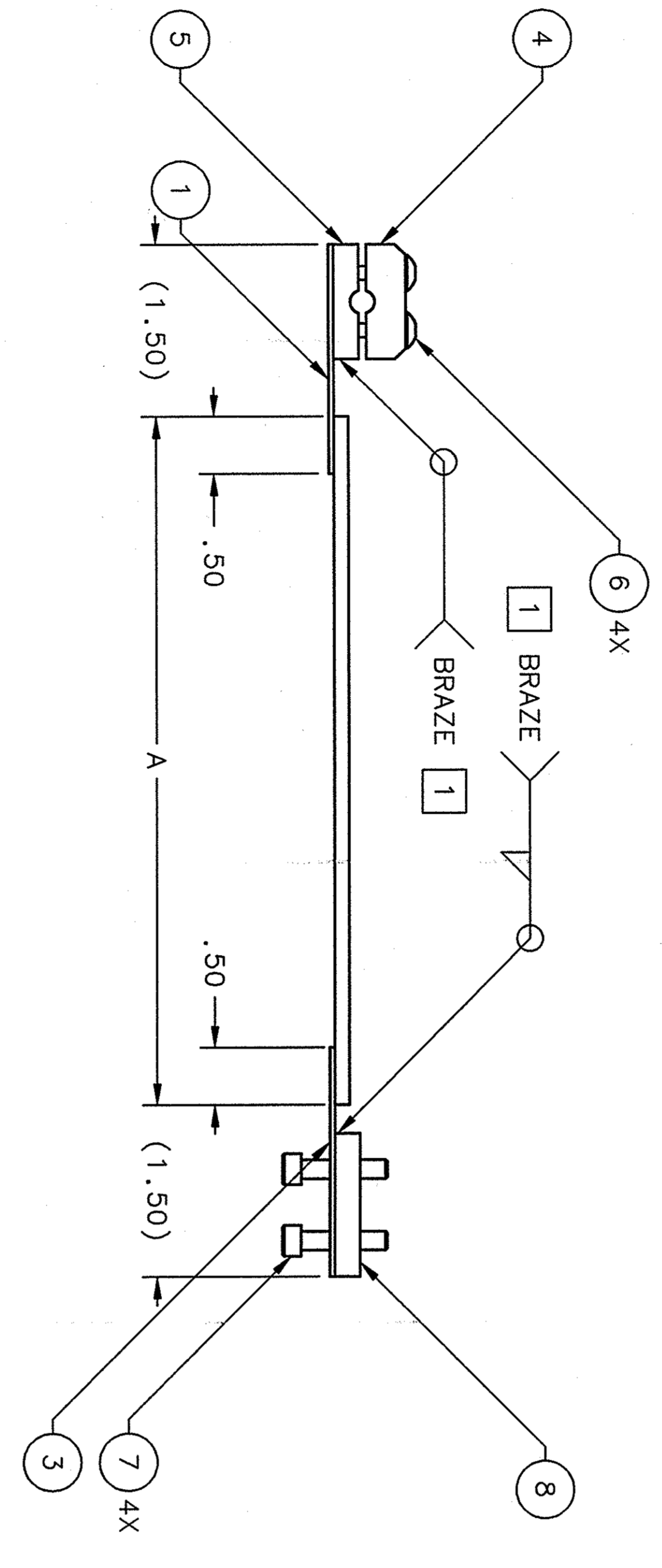
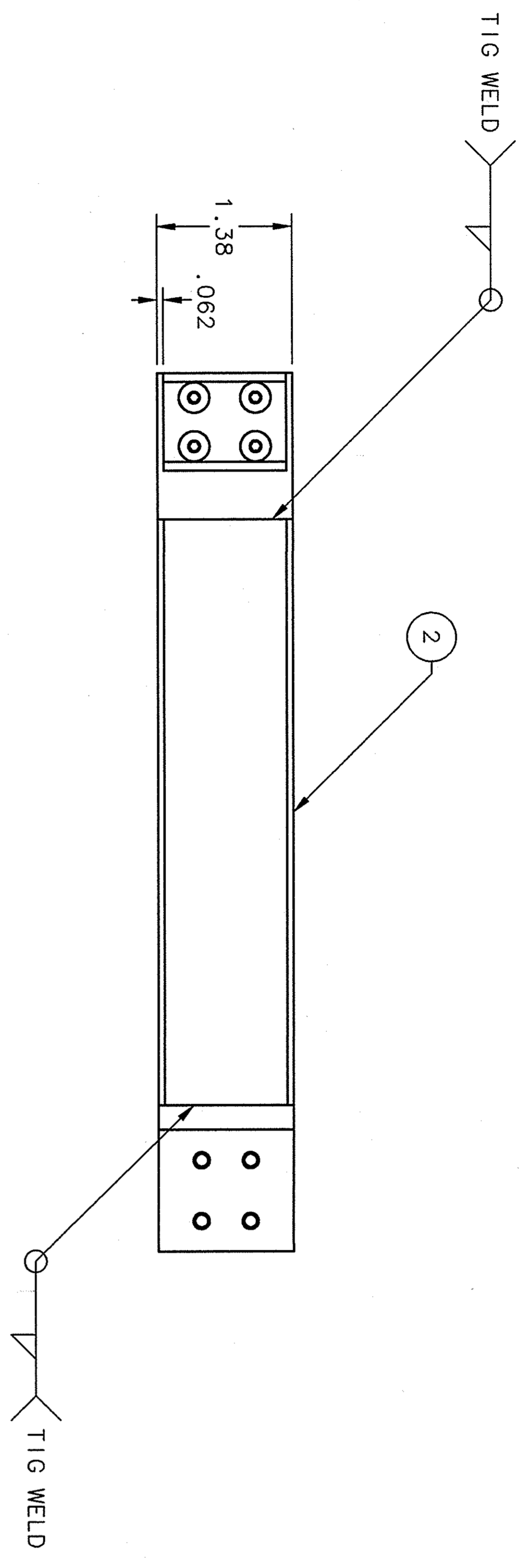


| ZONE | REV | DESCRIPTION | DATE | APPROVED |
|------|-----|-------------|------|----------|
| | | | | |

REVISION HISTORY



| TABULATION BLOCK | |
|------------------|--------------|
| PART NUMBER | VARIABLE "A" |
| 115650-1106D-01 | 6.00 |
| 115650-1106D-02 | 9.00 |

- NOTES: UNLESS OTHERWISE NOTED
- 1 ALL CLEARANCE AND THREADED HOLES TO BE FREE FROM OBSTRUCTION.
2. SUGGESTED SOURCES:
 A. NEW ENGLAND ELECTRIC WIRE CORPORATION : (603-838-6625) : CAGE CODE - 741116
 B. ACCURATE SCREW MACHINE CO. : (973-244-9200) : CAGE CODE - OFYV4

| QTY | ITEM | PART OR IDENTIFYING NO. | DESCRIPTION | MATERIAL SPECIFICATION | NOTES |
|-----|------|-------------------------|---|------------------------|-------|
| 1 | 8 | 115650-1100C | CLAMP BLOCK DETAIL | | |
| 4 | 7 | | SCREW SHCS NO. 8 (.164)-32UNC X 0.750LG (FULLY THREADED) | 300 SERIES SS1L | |
| 4 | 6 | 116068-750 SS 4 ASM CO. | SCBS CAPTIVE, .164-32UNC X 0.750LG | 18-8 SS1L | 2B |
| 1 | 5 | 115650-1105C | BLOCK CLAMP DETAIL | | |
| 1 | 4 | 115650-1104C | ADJACENT BLOCK CLAMP DETAIL | | |
| 1 | 3 | | DETAIL B SHEET | SOFT COPPER | |
| 1 | 2 | NE481430B NEW ENGLAND | EXTRA WIDE FLAT BRAIDED CABLE 2AWG, 1.375 X .125, 4.4 FPP | COPPER | 2A |
| 1 | 1 | | DETAIL A SHEET | SOFT COPPER | |

DOCUMENT CONTROL STAMP

TCI

FINISH UNLESS NOTED OTHERWISE DEBURR & BREAK ALL SHARP EDGES DO NOT SCALE DRAWING

UNLESS OTHERWISE NOTED

THIRD ANGLE PROJECTION

TRACKING NO. 115650

APPROVALS

DATE 09DEC02

DESIGNED BY: [Signature]

CHECKED BY: [Signature]

APPROVED BY: [Signature]

SCALE 1:1

SHEET 1 OF 1

LINAC/CRYMODULE 1998 SHIELDS AND INSULATION STRAP HEAT STATION ASSEMBLY

115650-1106D

Thomas Jefferson National Accelerator Facility

UNITED STATES DEPARTMENT OF ENERGY