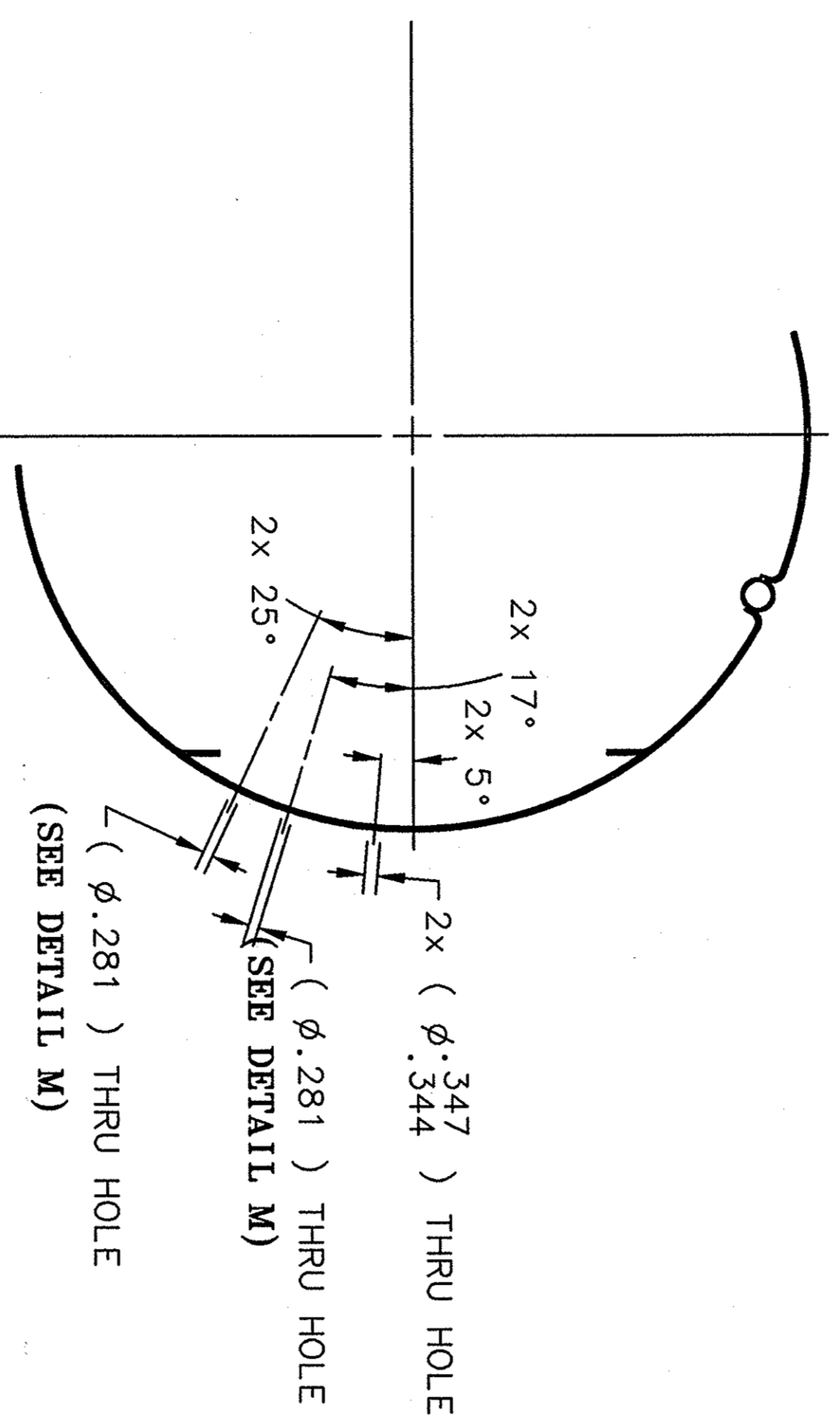
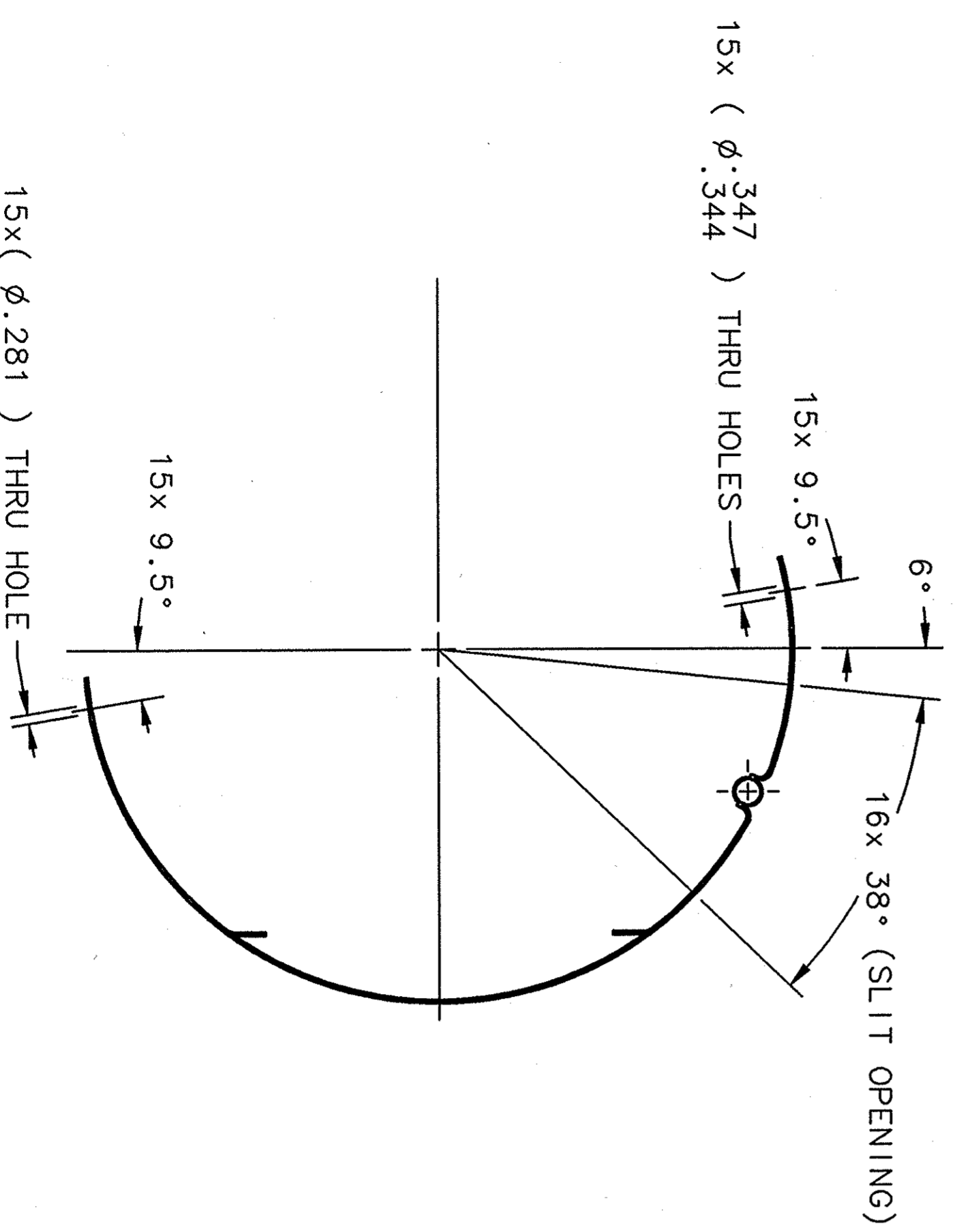


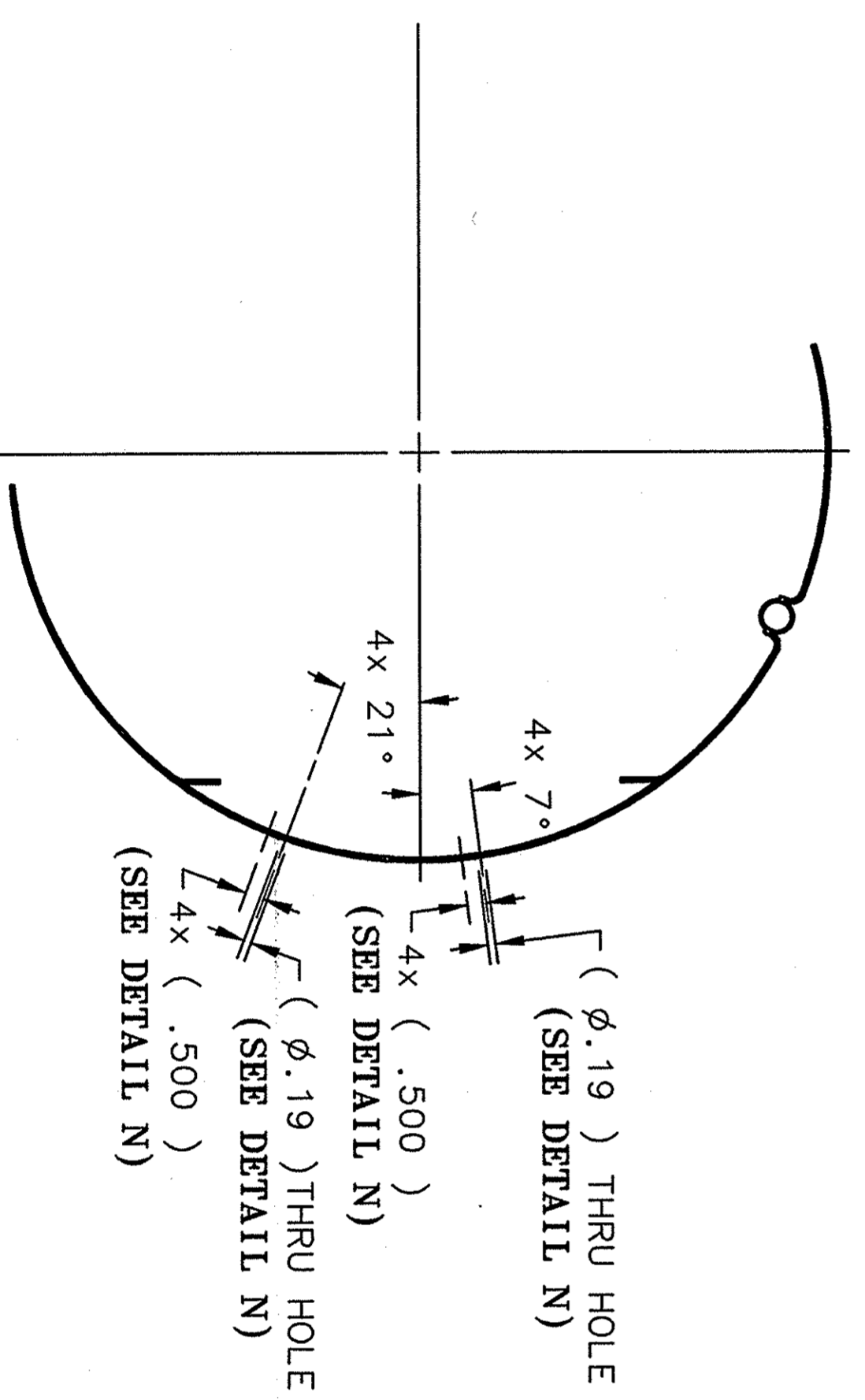
SECTION A-A



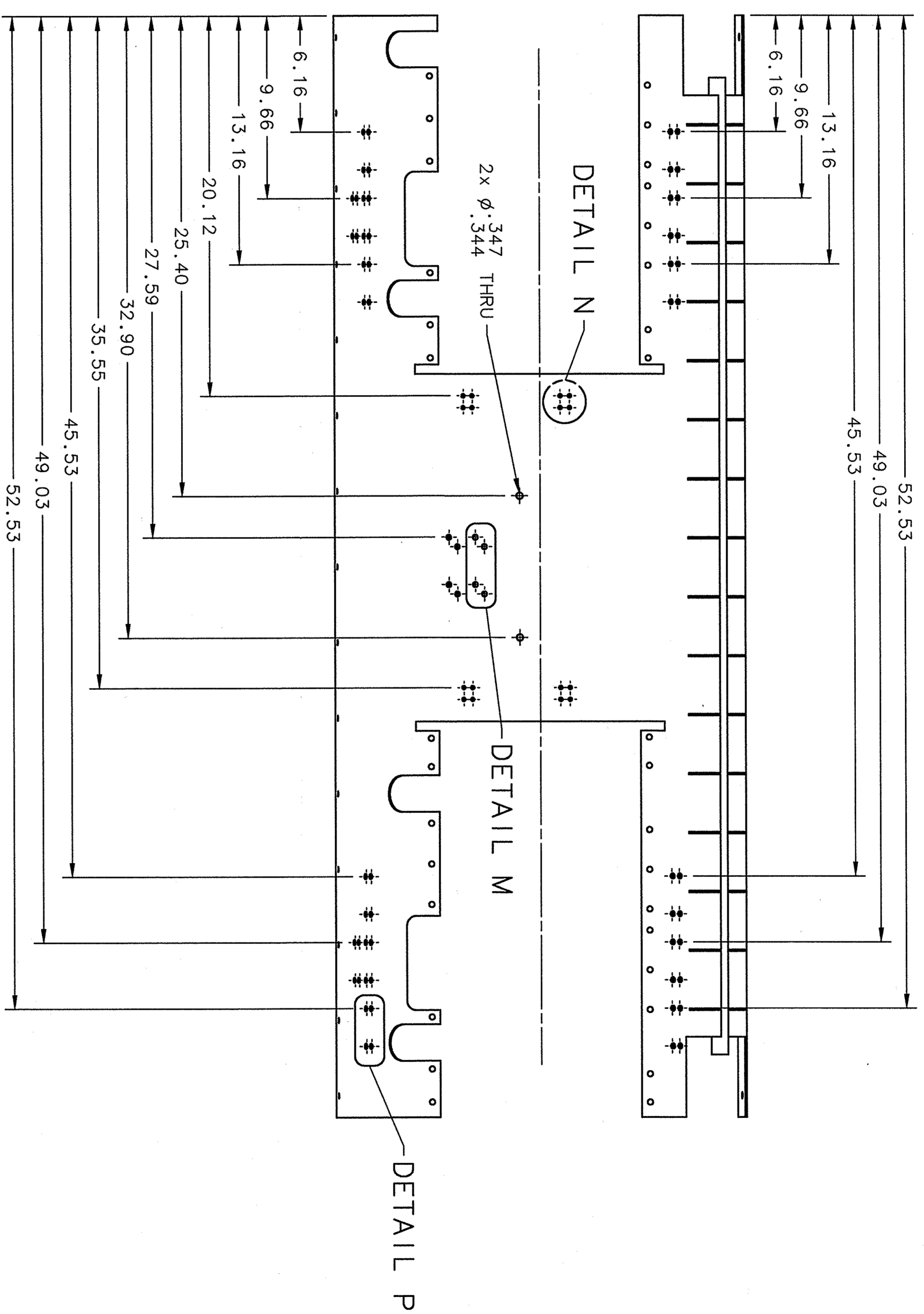
SECTION B-B



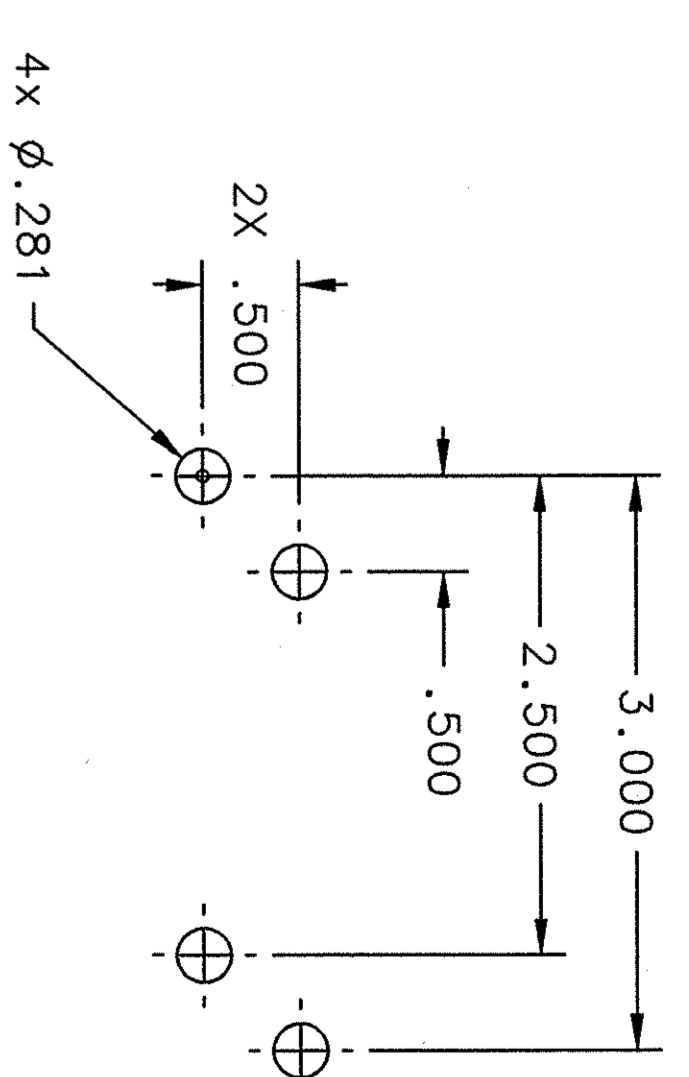
SECTION C-C



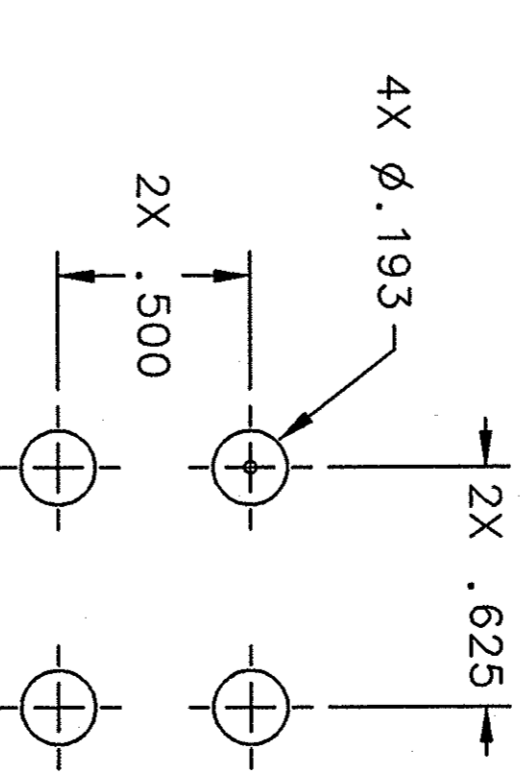
SECTION D-D



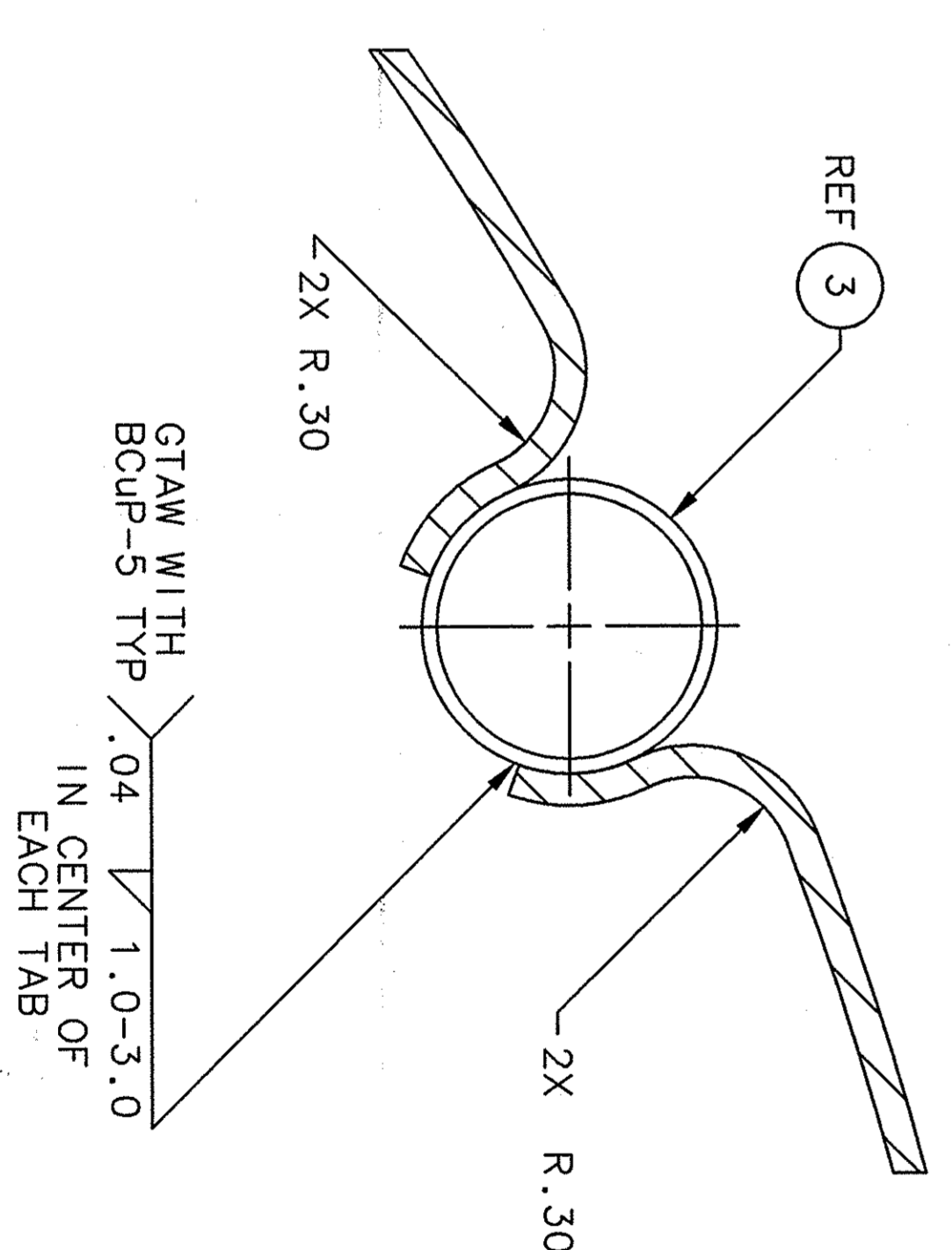
VIEW E-E



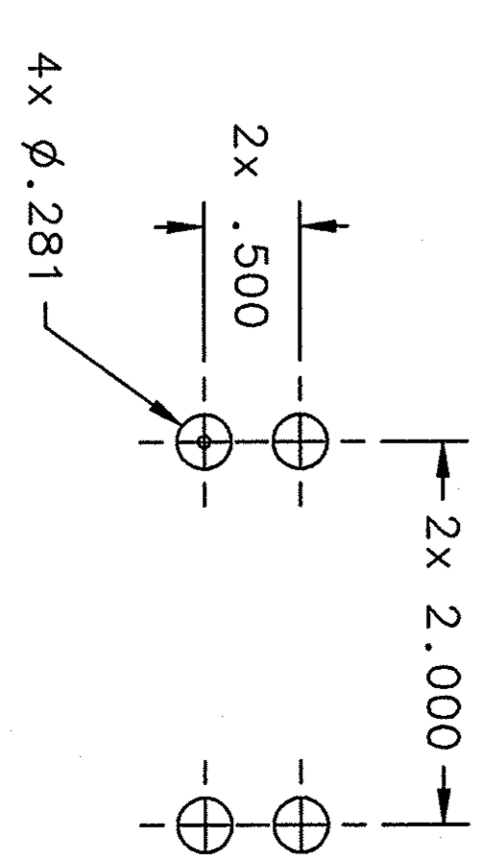
DETAIL M  
SCALE: 1/1  
2 PLACES



DETAIL N  
SCALE: 2/1  
4 PLACES



DETAIL I  
SCALE: 2/1  
1 PLACE



DETAIL P  
SCALE: 1/1  
14 PLACES