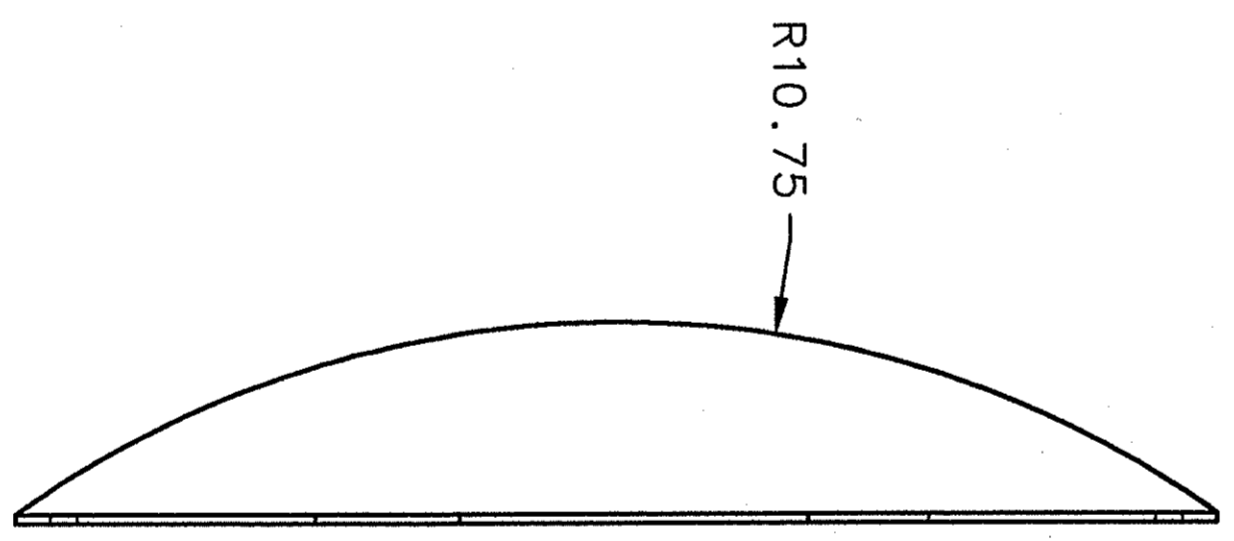
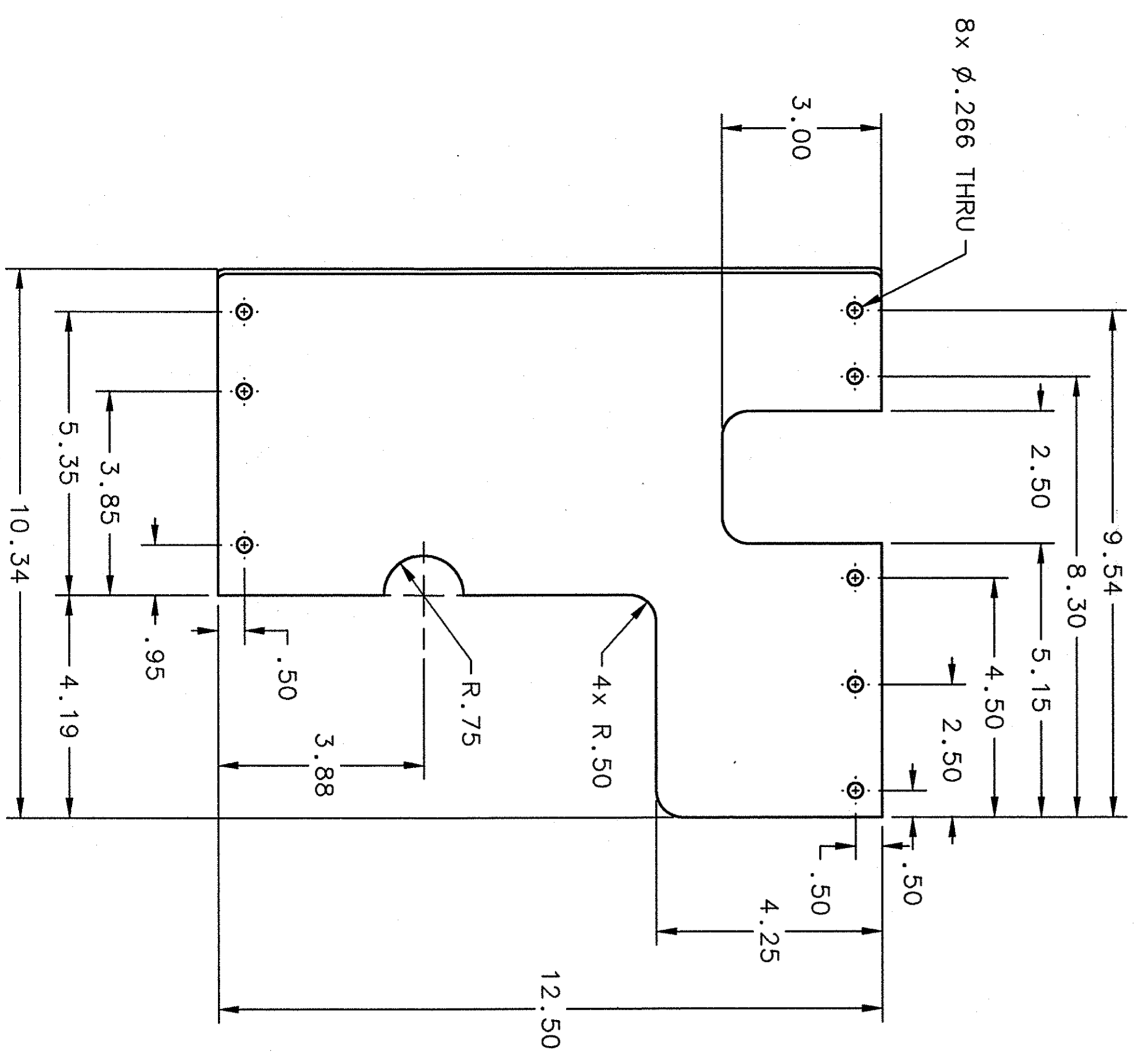
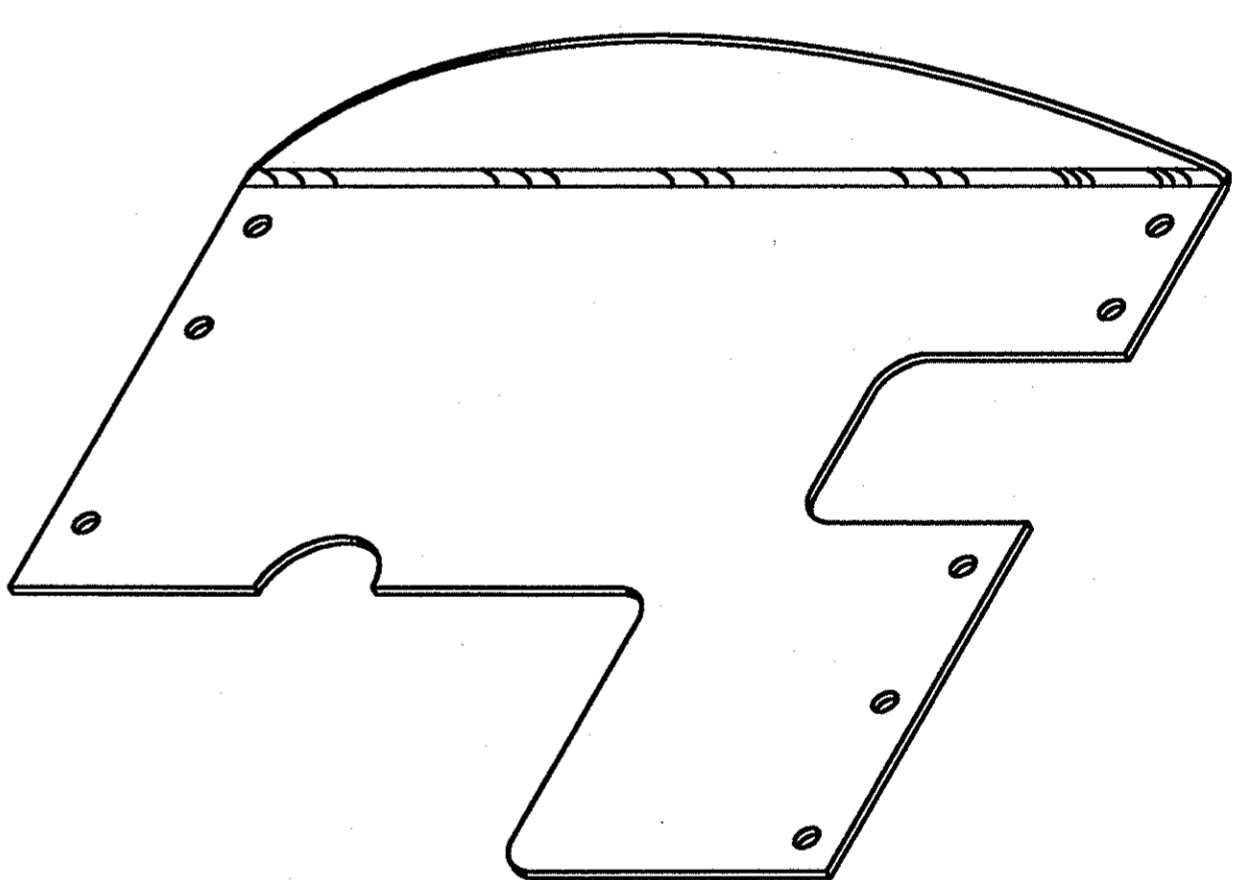


REVISION HISTORY		DATE	APPROVED
ZONE	REV	DESCRIPTION	



NOTES:

1. FABRICATE SHIELD AND INSULATION PER SOW #CRM-100-7000-1002.

<b>DOCUMENT CONTROL STAMP</b> 		DIM & TOL PER ASME Y14.5 UNLESS OTHERWISE SPECIFIED TOLERANCES ARE: IN INCHES FRACTIONS DECIMAL ANGLES ± N/A .XX ± .02 ± .50 .XXX ± .005		TRACKING NO. N/A		Thomas Jefferson National Accelerator Facility UNITED STATES DEPARTMENT OF ENERGY	
MATERIAL COPPER, UNS C11000, ETP		FINISH 125 UNLESS OTHERWISE SPECIFIED DEBURR & BREAK ALL SHARP EDGES		THIRD ANGLE PROJECTION 		DRAWN S. S. JANKOWSKI DATE 2/18/03	
DO NOT SCALE DRAWING		APPROVED 		CHECKED D. MALTBYE DATE 8/16/03		SIZE D NO. CRM-100-7044-1016 SCALE 1:2 SHEET 1 OF 1	