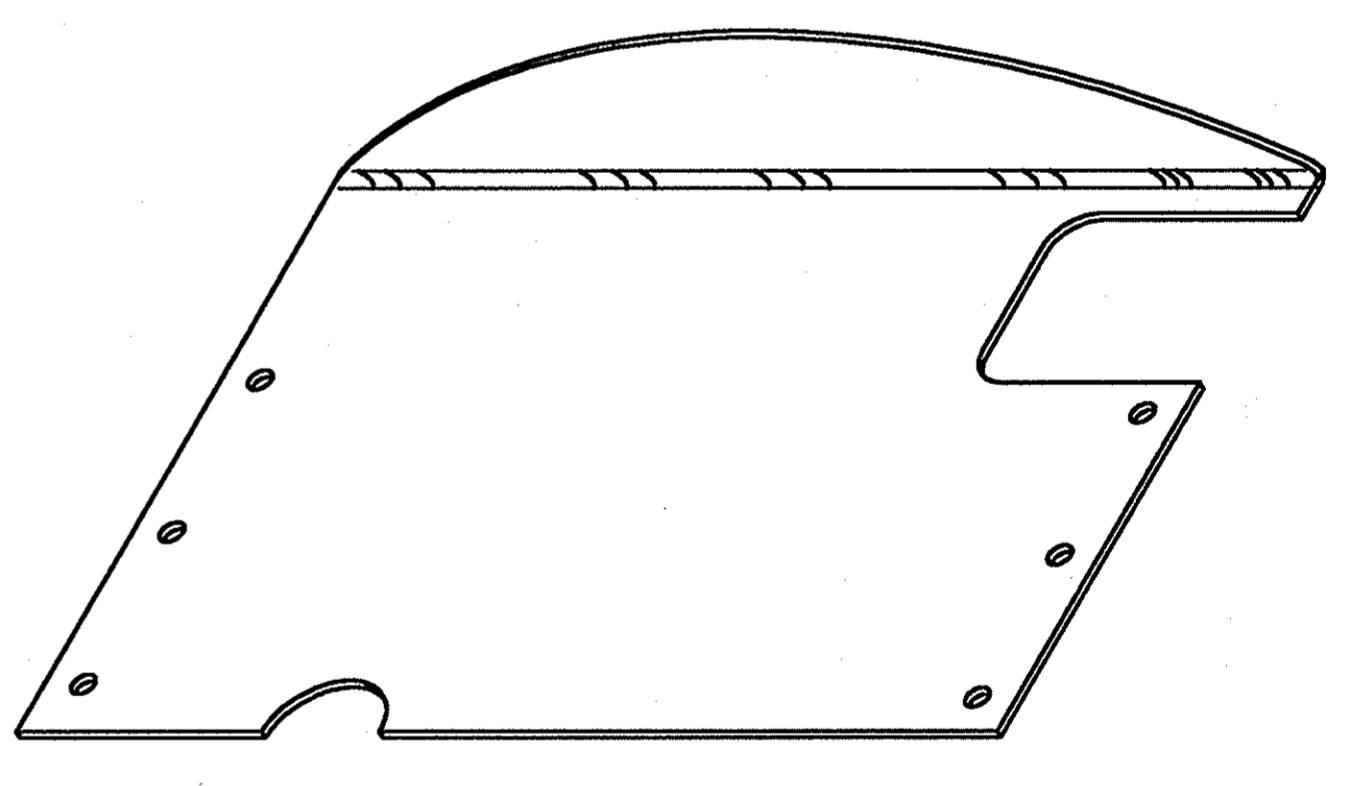
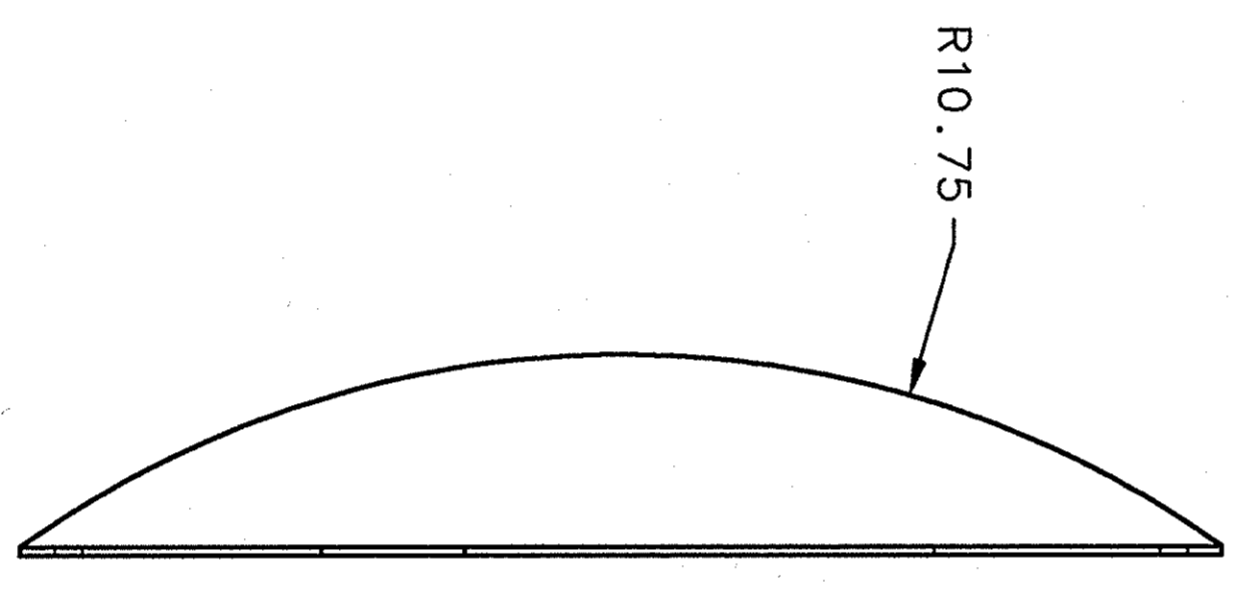
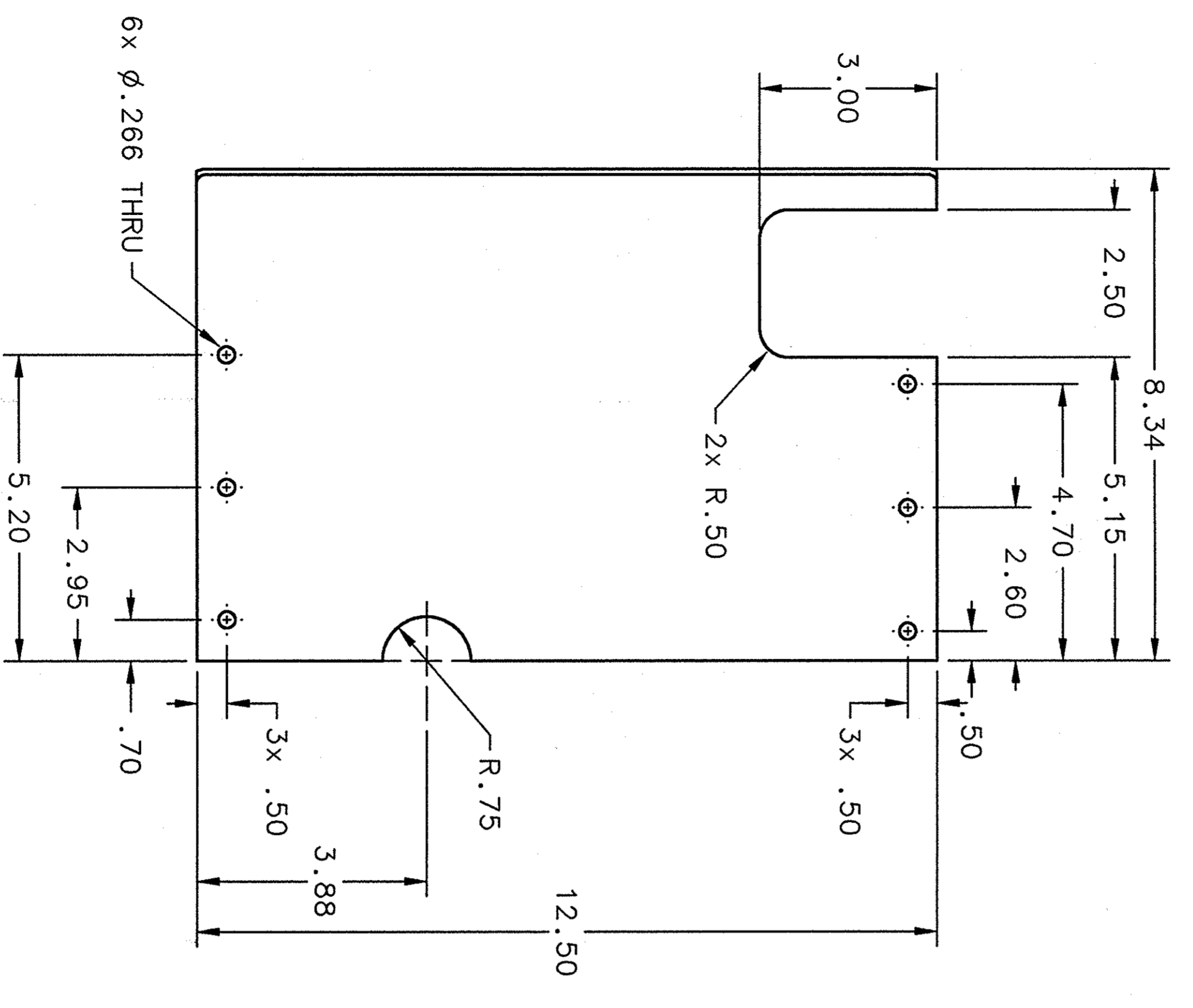
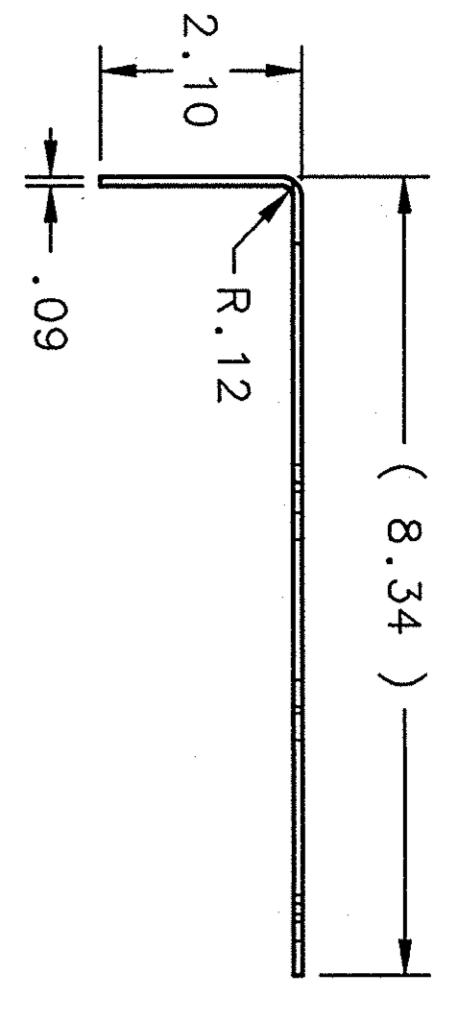


REVISION HISTORY				
ZONE	REV	DESCRIPTION	DATE	APPROVED



NOTES:
1. FABRICATE SHIELD AND INSULATION PER SOW #CRM-100-7000-1002.

DOCUMENT CONTROL STAMP 		DIM & TOL PER ASSEMBLY DIMENSIONS ARE IN INCHES TOLERANCES ARE: FRACTIONS ±.005 DECIMAL ±.005 ANGLES ±.30		TRACKING NO. N/A		Thomas Jefferson UNITED STATES DEPARTMENT OF ENERGY Jefferson Laboratory Facility	
MATERIAL COPPER, UNS C11000, ETP		THIRD ANGLE PROJECTION 		APPROVALS DRAWN: S. S. JAROSKI CHECKED: D. W. K. [Signature] APPROVED: [Signature]		DATE 2/14/03 8/16/02 8/7/03	
FINISH UNLESS NOTED OTHERWISE DEBUR & BREAK ALL SHARP EDGES DO NOT SCALE DRAWING		SCALE 1:2		SIZE D		CRM-100-7044-1018 LFT PANEL FPC 6 - DETAIL REV. -	