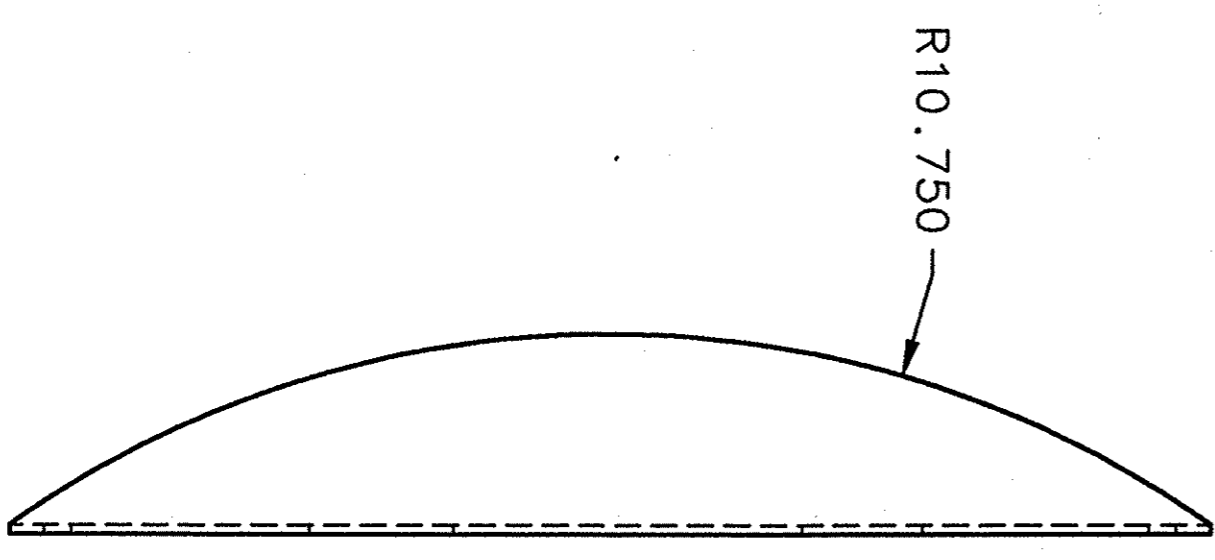
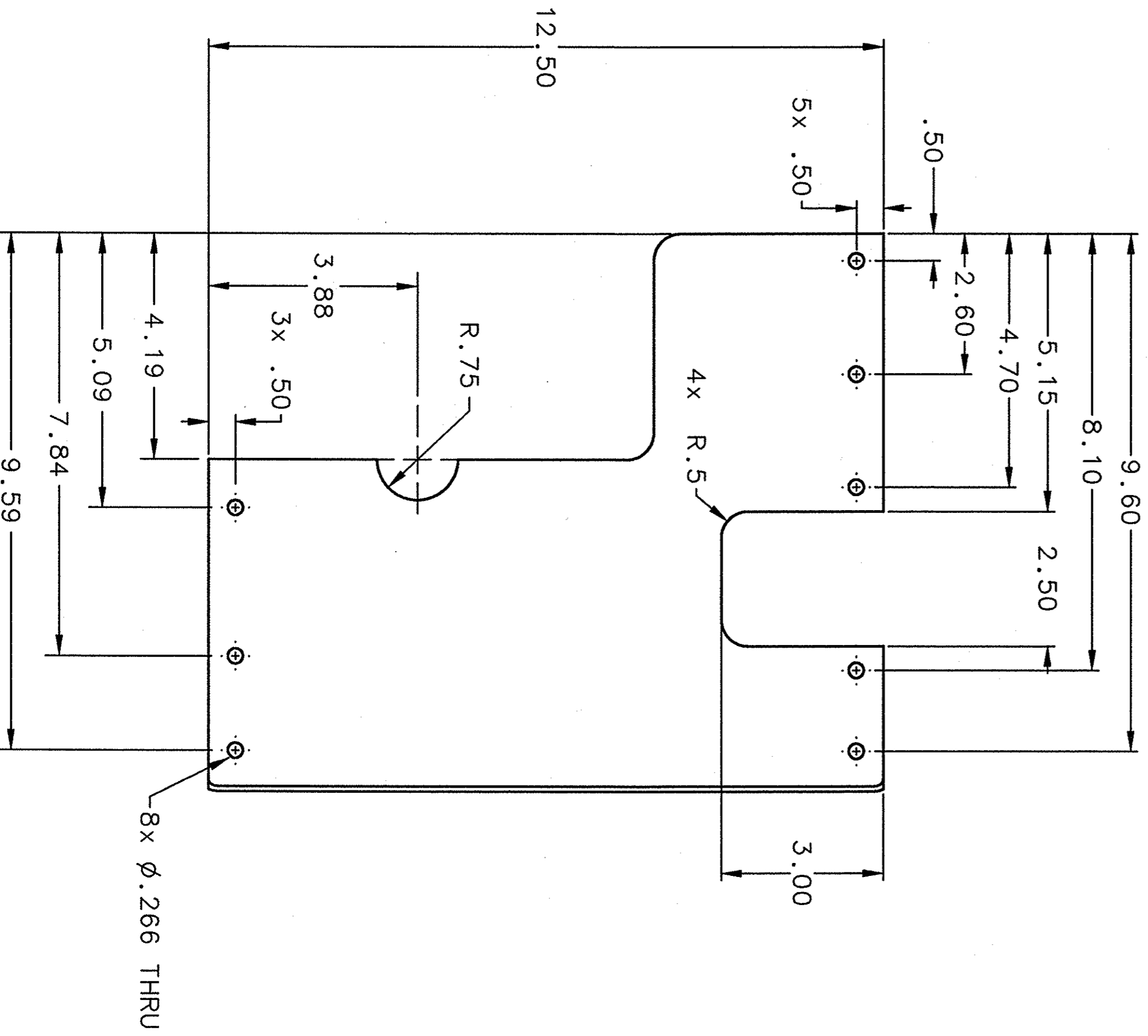
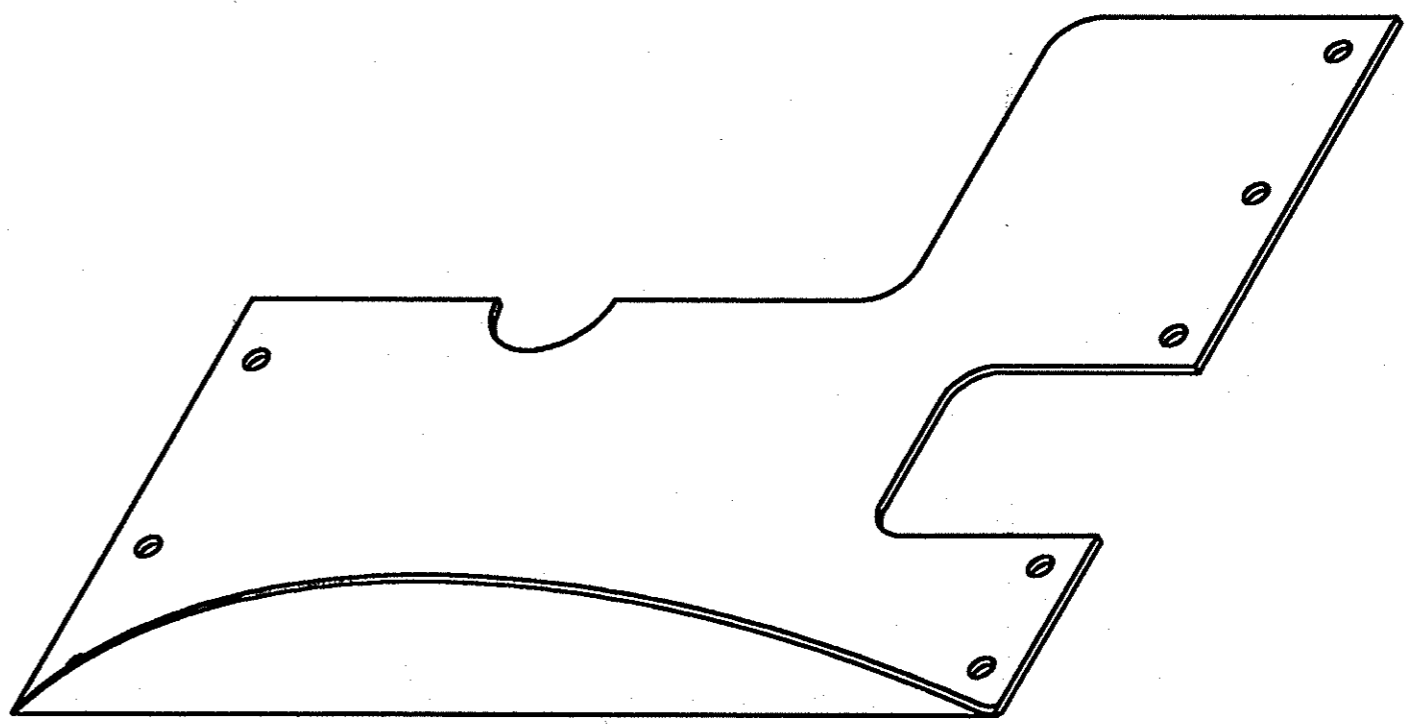
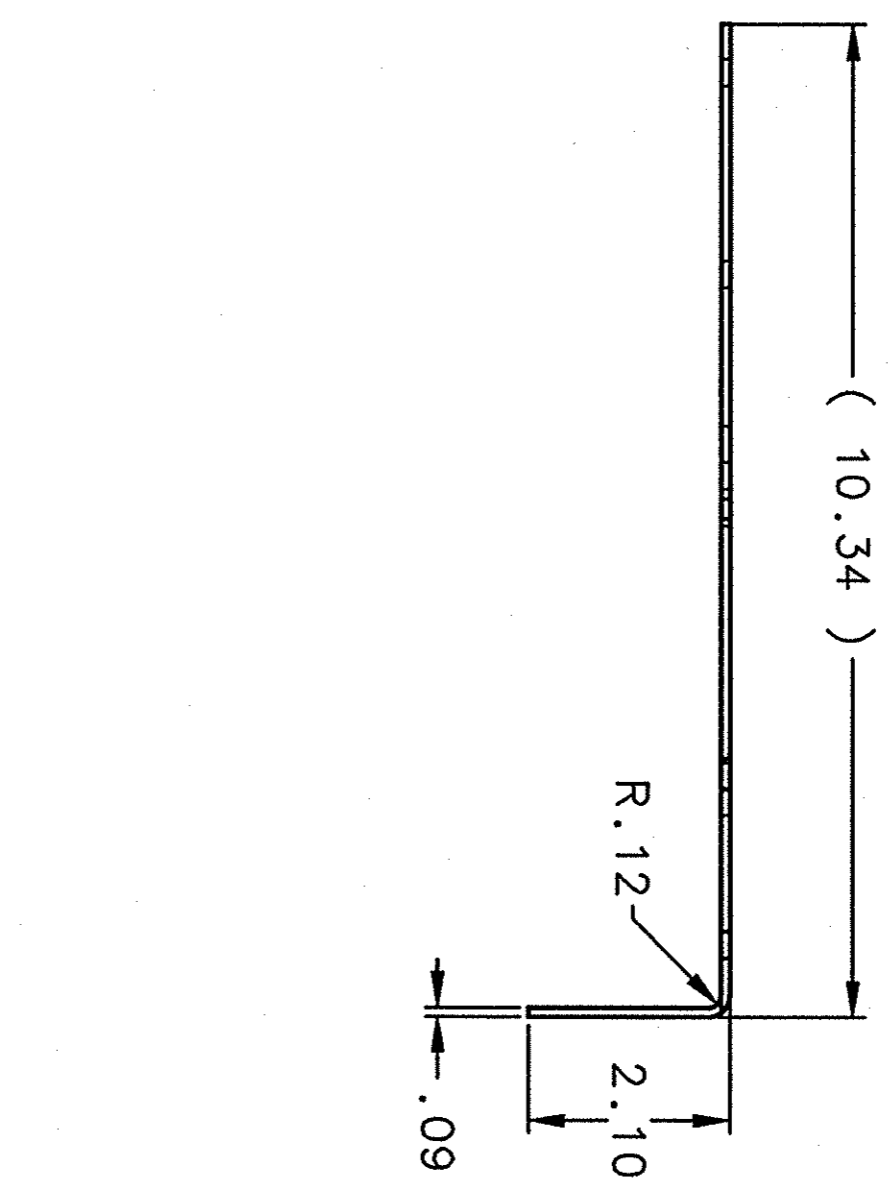


REVISION HISTORY		
ZONE	REV	DESCRIPTION

DATE	APPROVED



NOTES:
 1. FABRICATE SHIELD AND INSULATION PER SOW #CRM-100-7000-1002.

DOCUMENT CONTROL STAMP 		DIM & TOL PER ASS'Y DTD. DIMENSIONS ARE IN INCHES FRACTIONS DECIMAL ANGLES ± N/A ± .005 ± .1 ± .50°	
MATERIAL COPPER, UNS C11000, ETP		TRACKING NO. N/A	
FINISHED SURFACES UNLESS OTHERWISE NOTED DEBURR & BREAK ALL SHARP EDGES DO NOT SCALE DRAWING		THIRD ANGLE PROJECTION 	
DRAWN S. SIAKHINSKI 2/18/03		APPROVALS 	
CHECKED D. MAJAK 4/14/03		DATE 2/18/03	
APPROVED 		DATE 8/1/03	
Thomas Jefferson National Accelerator Facility UNITED STATES DEPARTMENT OF ENERGY Jefferson Lab		CRM 100MW CRYOMODULE THERMAL SHIELD RT PANEL FPC 5-8 - DETAIL	
SIZE DIMS: NO CRM-100-7044-1019		SCALE 1:2	
SHEET 1 OF 1		REV. -	