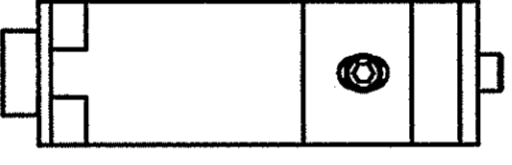
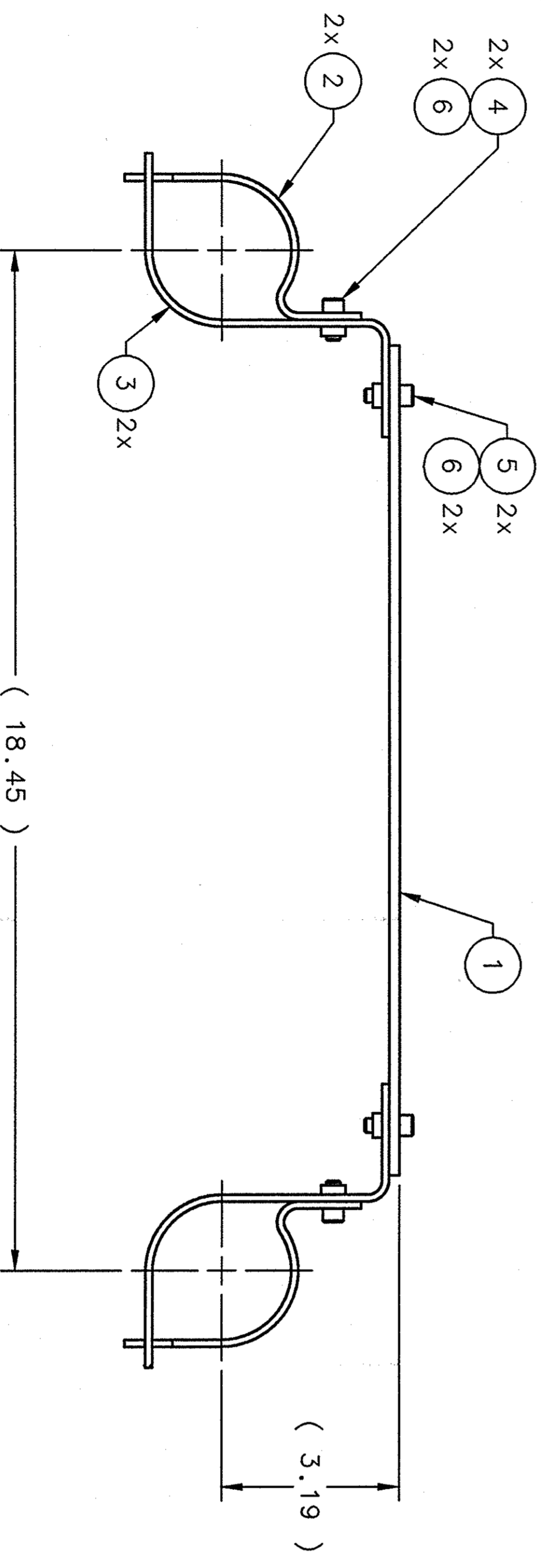
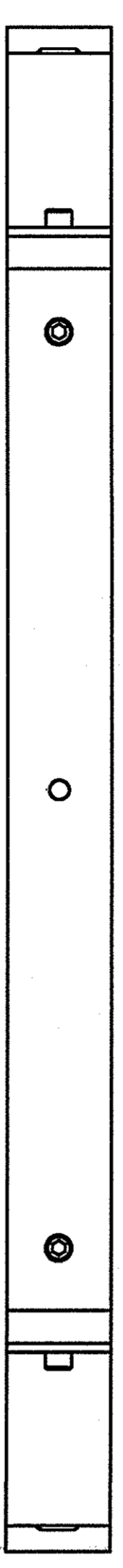
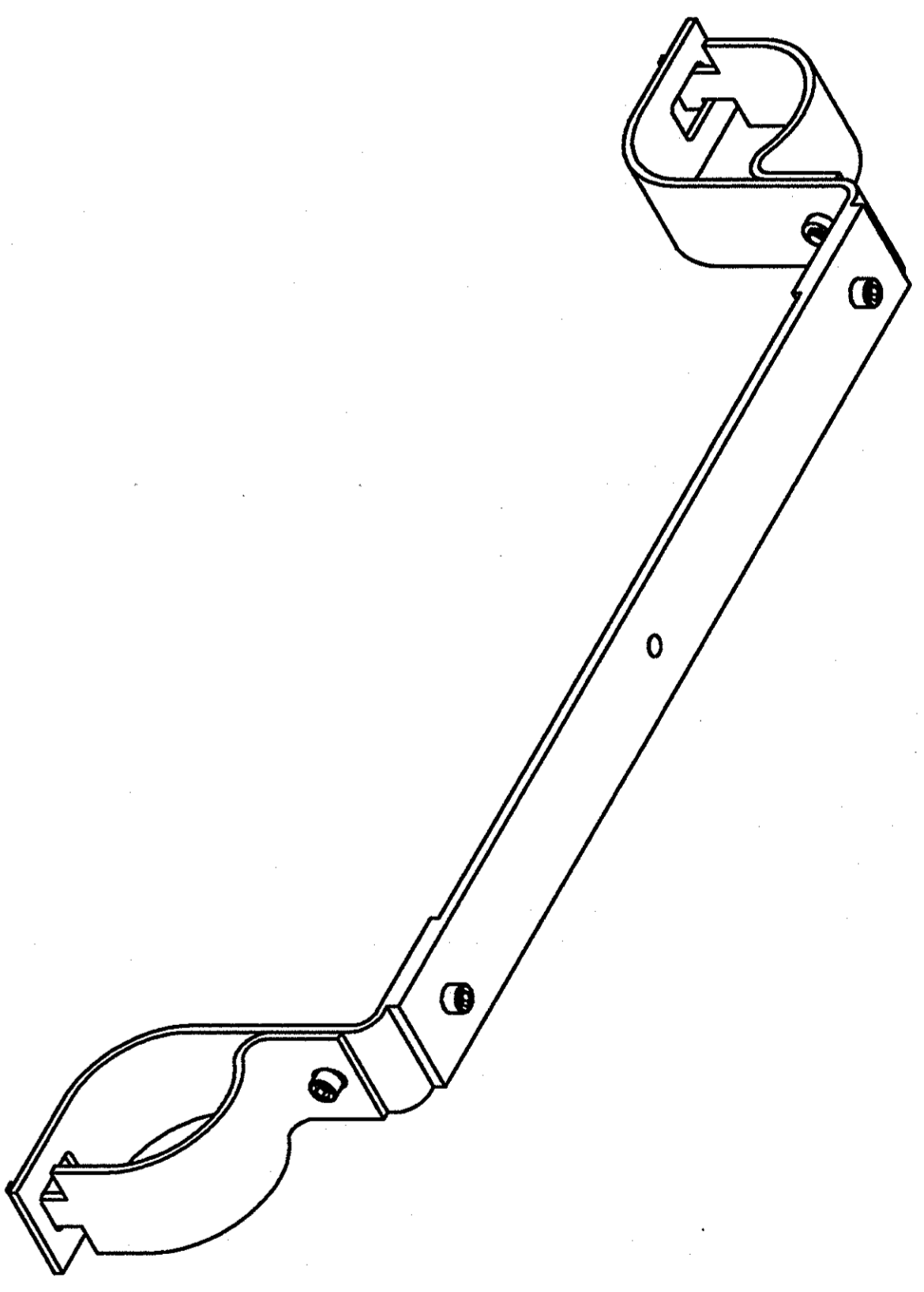


ZONE	REV	REVISION HISTORY	DATE	APPROVED



NOTES:
1. FABRICATE SHIELD AND INSULATION PER SOW #CRM-100-7000-1002

QTY	ITEM	PART OR IDENTIFYING NO.	DESCRIPTION	MATERIAL SPECIFICATION	NOTES
4	6	-	.250 REGULAR SPRING WASHER	304 SERIES SSTL	
2	5	-	SCREW, SOCKET HEAD CAP .250-20 UNC X .625 LG	300 SERIES SSTL	
2	4	-	SCREW, SOCKET HEAD CAP .250-20 UNC X .50 LG	300 SERIES SSTL	
2	3	CRM-900-5010-1010	FEMALE CLAMP SUPPORT ASSEMBLY		
2	2	CRM-900-5010-1008	MALE CLAMP SUPPORT		
1	1	CRM-100-7044-1027	G10 SHIELD SUPPORT - 15.0 LG		

PARTS LIST

DATE & TIME PER ASS'N	BY	DESCRIPTION
06/17/03	S. S. S. S.	ISSUED FOR FABRICATION

TRACKING NO.	APPROVALS	DATE
N/A	S. S. S. S.	2/28/03

FINISH	100	OTHER
MACHINED	✓	
UNTREATED		✓
DEBURR & BREAK ALL SHARP EDGES		✓

DOCUMENT CONTROL	DATE	DESCRIPTION
ISSUED FOR FABRICATION	06/17/03	ISSUED FOR FABRICATION

DO NOT SCALE DRAWING

100MW CRYOMODULE SHIELDING THERMAL SHIELD SUPPORT ASSEMBLY - BOTTOM
CRM-100-7044-1023
SCALE 1:2
SHEET 1 OF 1