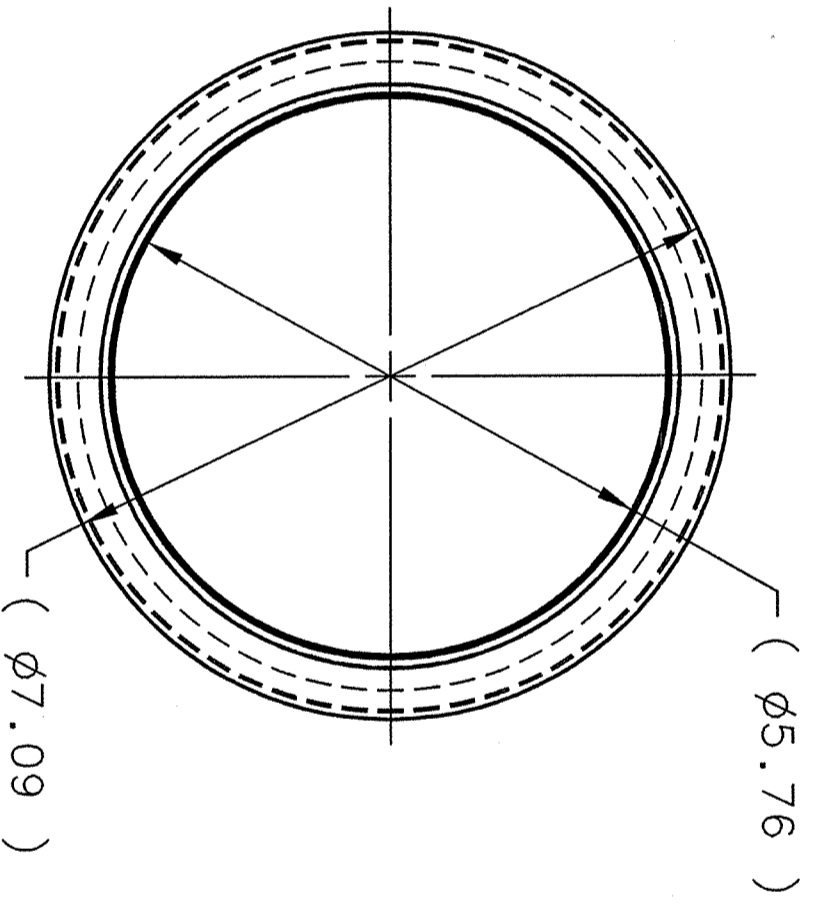
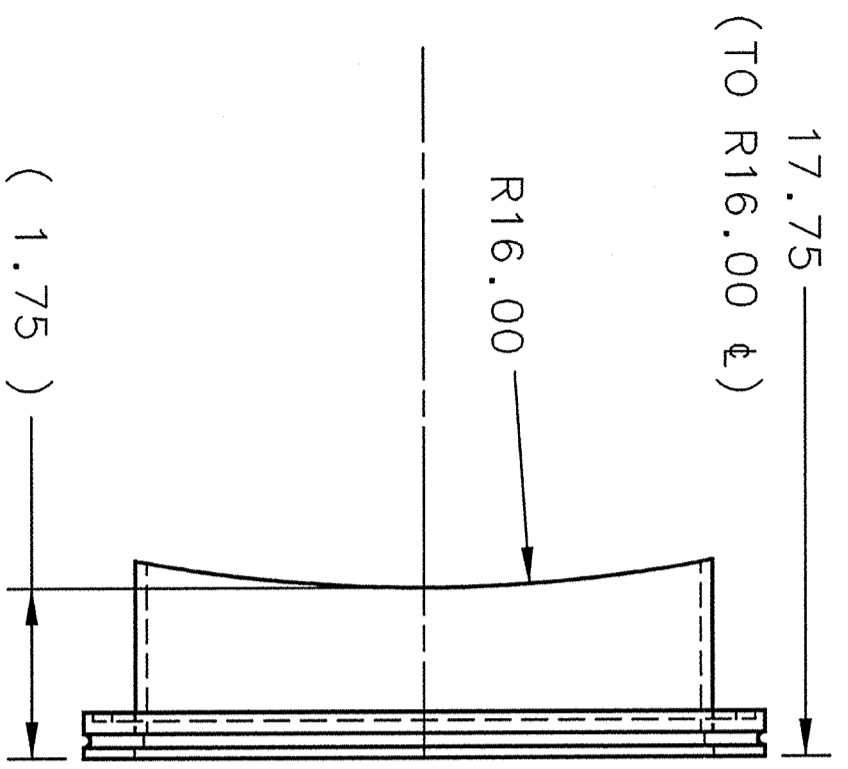


REVISION HISTORY		
REV	DESCRIPTION	DATE



DOCUMENT CONTROL STAMP 		DIM & TOL PER ASME Y14.5 UNLESS OTHERWISE SPECIFIED DIMENSIONS ARE IN INCHES TOLERANCES ARE: FRACTIONS DECIMAL ANGLES ±N/A .X ±.1 ±.50° .XX ±.01 .XXX ±.005	
MATERIAL MADE FROM MDC 820002		TRACKING NO. N/A	
FINISH MACHINED SURFACES 125 UNLESS OTHERWISE NOTED DEBURR & BREAK ALL SHARP EDGES		APPROVALS DRAWN J HENRY CHECKED <i>[Signature]</i> APPROVED <i>[Signature]</i>	
DO NOT SCALE DRAWING		DATE 08NOV04 2/22/05 2/22/05	
THIRD ANGLE PROJECTION 		Thomas Jefferson National Accelerator Facility UNITED STATES DEPARTMENT OF ENERGY 	
SIZE DWG. NO. B CRM-100-7001-0201		MODIFIED NW160 LF HALF NIPPLE CRM 100 MV CRYOMODULE CRYOMODULE	
SCALE 1:2 USED ON ASSY NO. CRM-100-7001-0200		SHEET 1 OF 1	