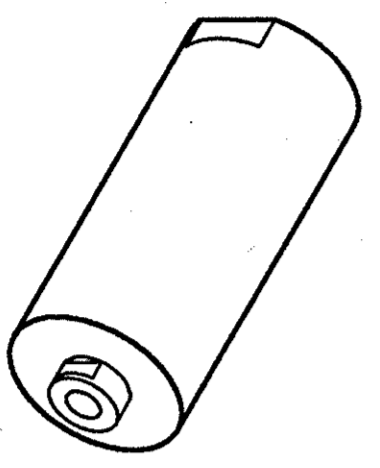
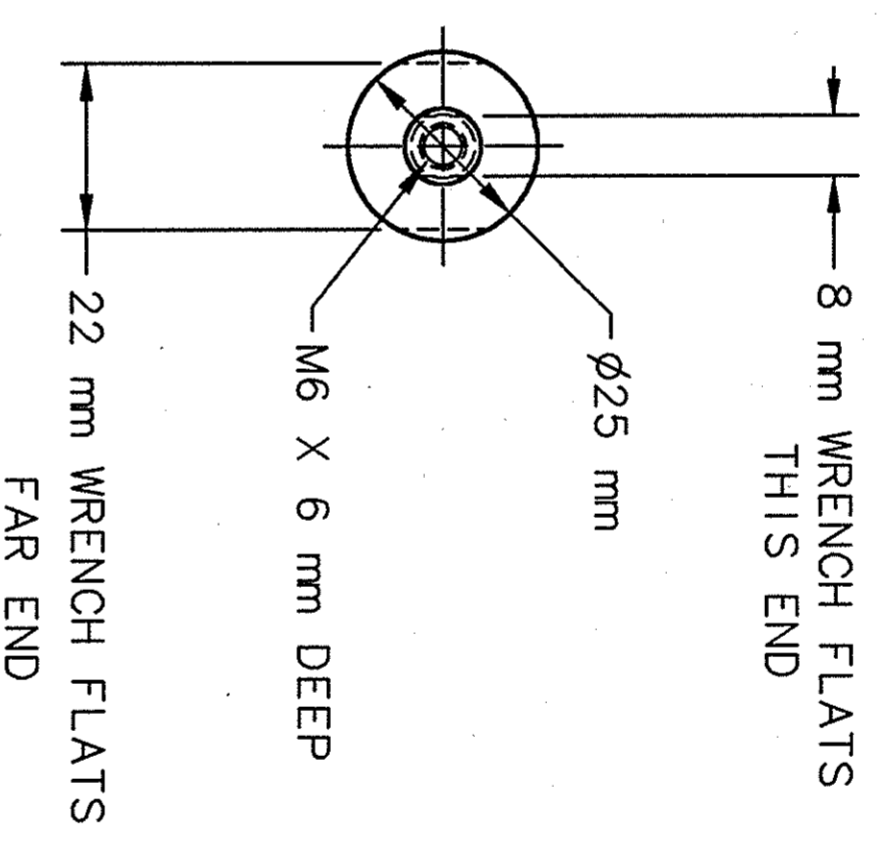
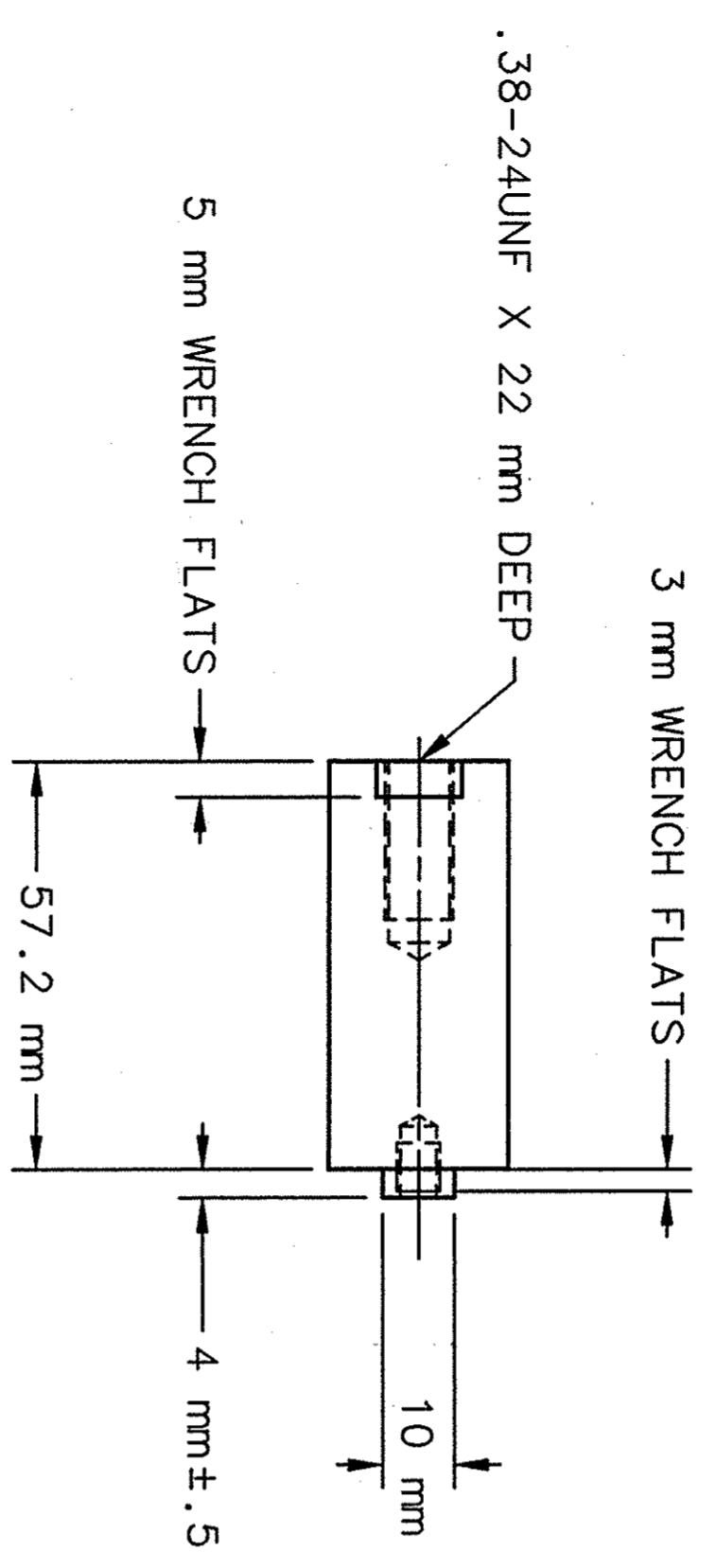


REVISION HISTORY		
ZONE	REV	DESCRIPTION
		DATE
		APPROVED



NOTES:

1. FABRICATE PER SOW #CRM-100-7000-1000

DOCUMENT CONTROL STAMP		DIN & TOL PER ASME Y14.5 UNLESS OTHERWISE SPECIFIED DIMENSIONS ARE IN INCHES TOLERANCES ARE: FRACTIONS DECIMAL ANGLES ± N/A .XX ±N/A ± N/A XXX IN/A	
MATERIAL N/A		THIRD ANGLE PROJECTION	
FINISH MACHINED SURFACES DEBURR & BREAK ALL SHARP EDGES		UNLESS OTHERWISE NOTED	
DO NOT SCALE DRAWING		TRACKING NO. N/A	
APPROVALS	DATE	Thomas Jefferson National Accelerator Facility UNITED STATES DEPARTMENT OF ENERGY	
DRAWN K.H. SMITH	02APR03	CRM 100 MW CRYMODULE TUNER PIEZOELECTRIC ACTUATOR-INTERFACE	
CHECKED D. MA C4413	4/3/03	SIZE DWG. NO. C	CRM-100-7050-0012
APPROVED [Signature]	4/4/03	SCALE 1:1	REV. -
APPROVED [Signature]	4/4/03	SHEET 1 OF 1	