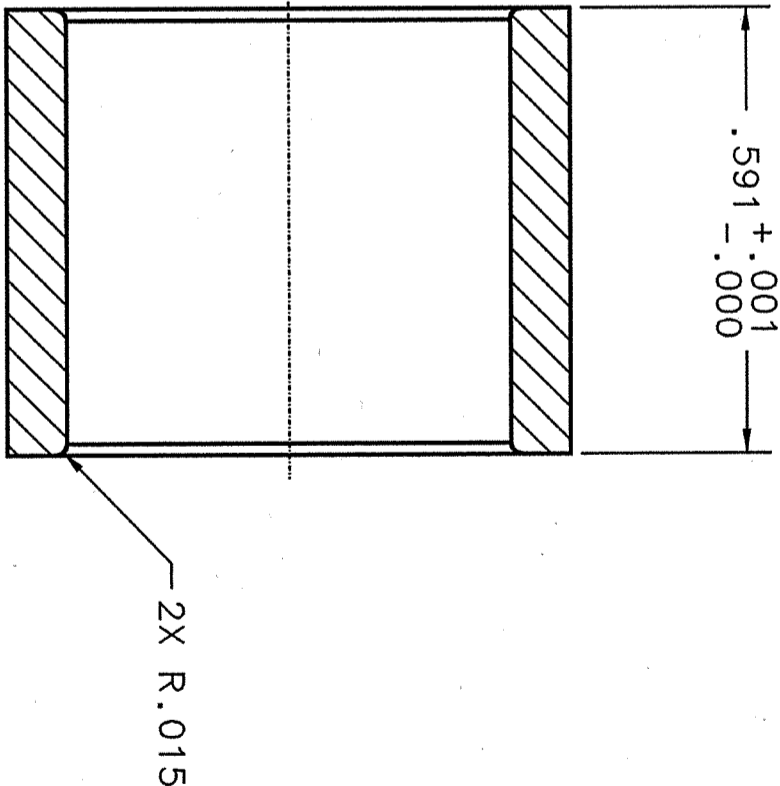
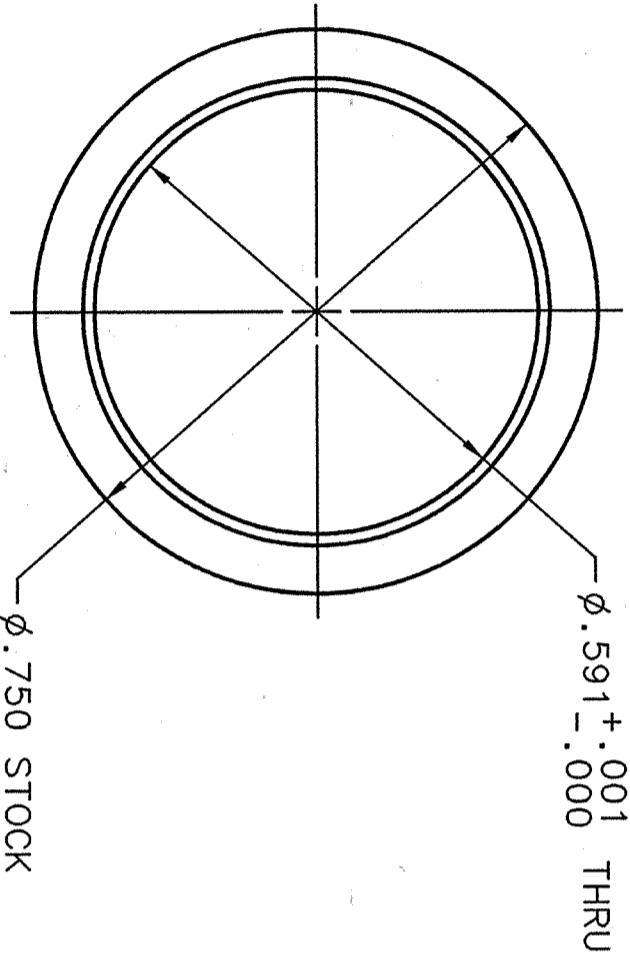


REVISION HISTORY

ZONE	REV	DESCRIPTION	DATE	APPROVED



Jefferson Lab  
 Thomas Jefferson National Accelerator Facility  
 NEWPORT NEWS, VIRGINIA  
 UNITED STATES DEPARTMENT OF ENERGY

SPALLATION NEUTRON SOURCE  
 CRYMODULE  
 TUNER  
 SPACER - DETAIL

DIM & TOL PER ANSI Y14.5  
 UNLESS OTHERWISE SPECIFIED  
 DIMENSIONS ARE IN INCHES  
 TOLERANCES ARE:  
 FRACTIONS DECIMAL ANGLES  
 #N/A .XX #.02 #N/A  
 .XXX #.005

MATERIAL  
 316L STAINLESS STEEL

FINISH 63 UNLESS OTHERWISE NOTED  
 DEBURR & BREAK ALL SHARP EDGES

DO NOT SCALE DRAWING

CADD I.D. NO.: I-DEAS  
 SNS DRAWING NO.: 104100201-M8B-8200-A027-R00

APPROVALS

DRAWN K. H. SMITH	DATE 26 JUL 01
CHECKED D. W. BART	DATE 7/27/01
APPROVED John P. Hogan	DATE 27/30/01
APPROVED Steve Foley	DATE 27 JUL 01

SIZE B  
 DWG. NO. CRM9007030-0026  
 SCALE 4/1  
 USED ON ASSY NO. CRM9007030-0000  
 SHEET 1 OF 1

