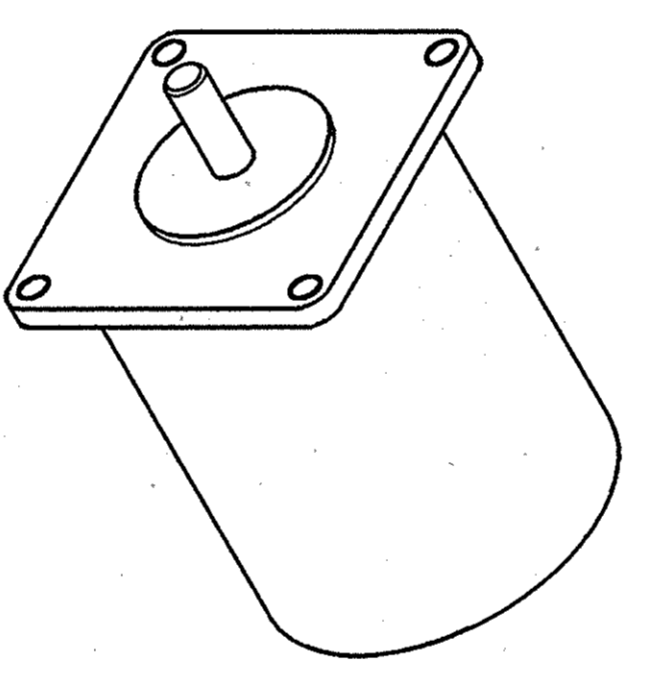
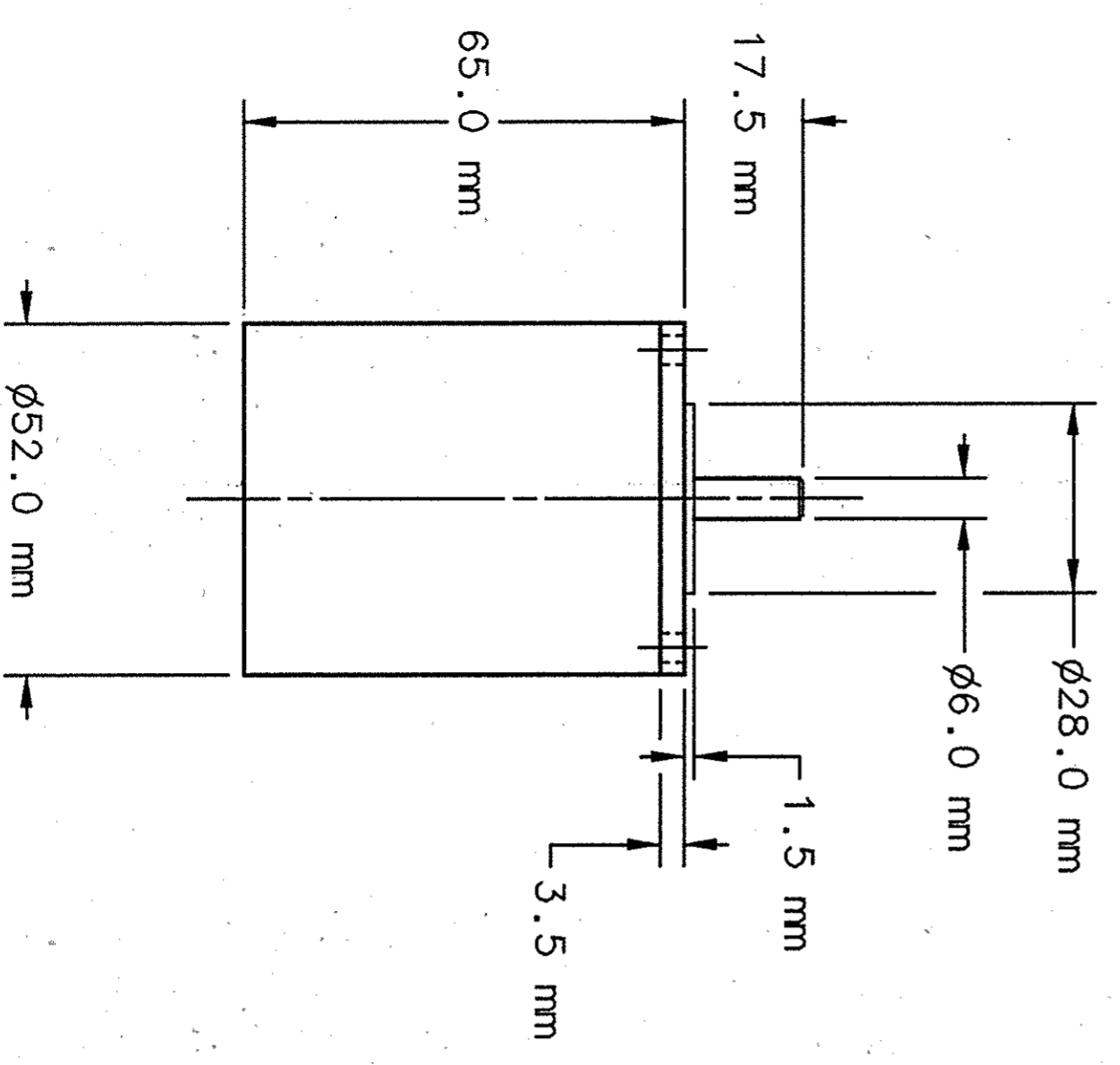
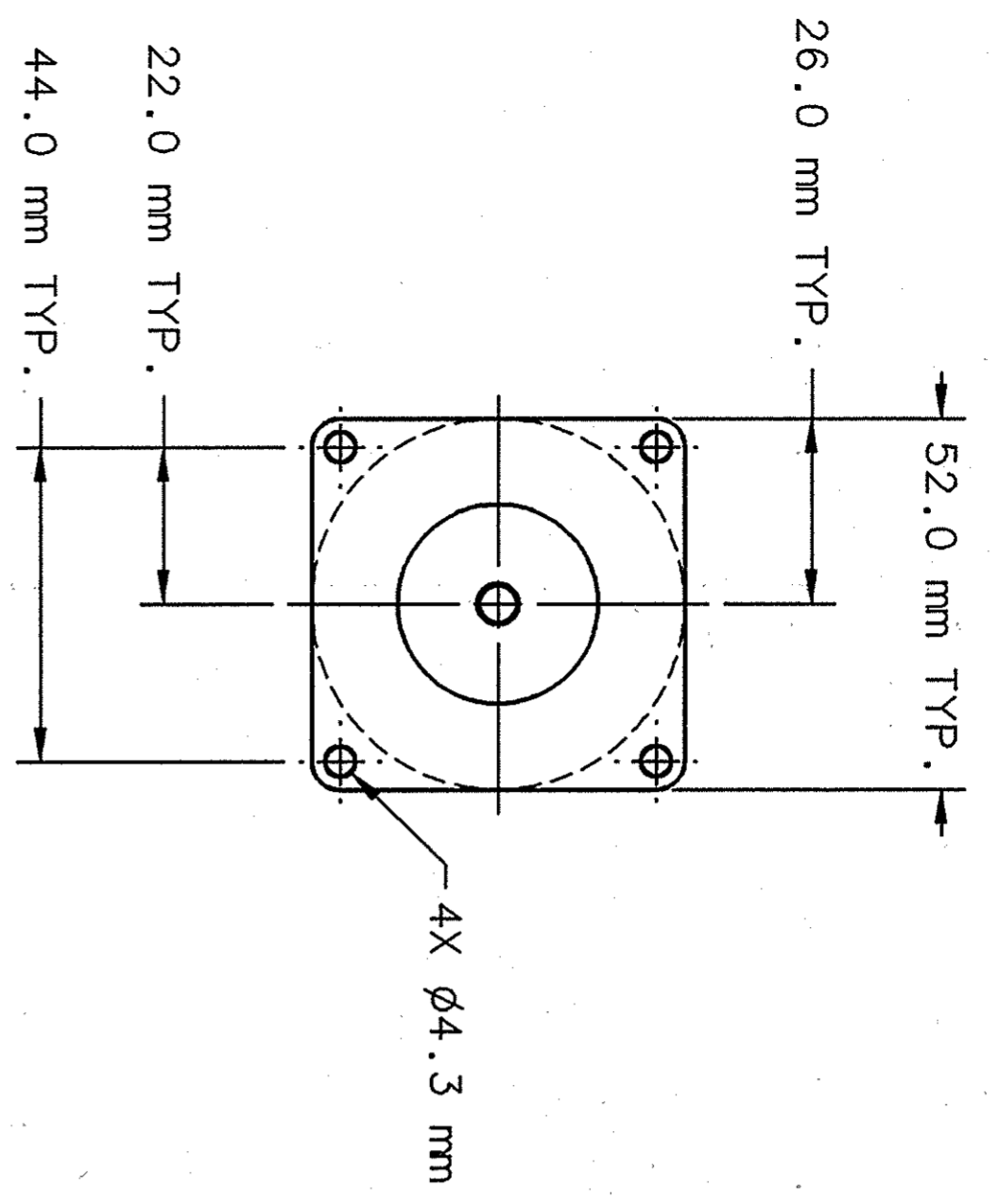


REVISION HISTORY			DATE	APPROVED
ZONE	REV	DESCRIPTION		



- NOTES:
1. FABRICATE MOTOR PER SOW #CRM900-0000-1025.
 2. DIMENSIONS ARE NOMINAL.

DOCUMENT CONTROL STAMP		DIMS & TOL PER ASME Y14.5 UNLESS OTHERWISE SPECIFIED DIMENSIONS ARE IN INCHES TOLERANCES ARE: FRACTIONS DECIMAL ANGLES ± N/A .XX ± N/A .XXX EN/A ± N/A		TRACKING NO. SWS DRAWING NO.: 104100201-48C-8200-A048-R00		Thomas Jefferson National Accelerator Facility UNION STATE DEPARTMENT OF ENERGY	
MATERIAL N/A		THIRD ANGLE PROJECTION		APPROVALS		DATE	
FINISH MACHINED SURFACES UNLESS OTHERWISE NOTED DEBURR & BREAK ALL SHARP EDGES		DO NOT SCALE DRAWING		DRAWN K.H. SMITH		17 APR 02	
		CHECKED S. J. HALL		19 APR 02		SIZE DIMG. NO. C CRM9007030-0047	
		APPROVED S. J. HALL		19 APR 02		SCALE 1:1	
		APPROVED S. J. HALL		19 APR 02		SHEET 1 OF 1	

4 3 2 1