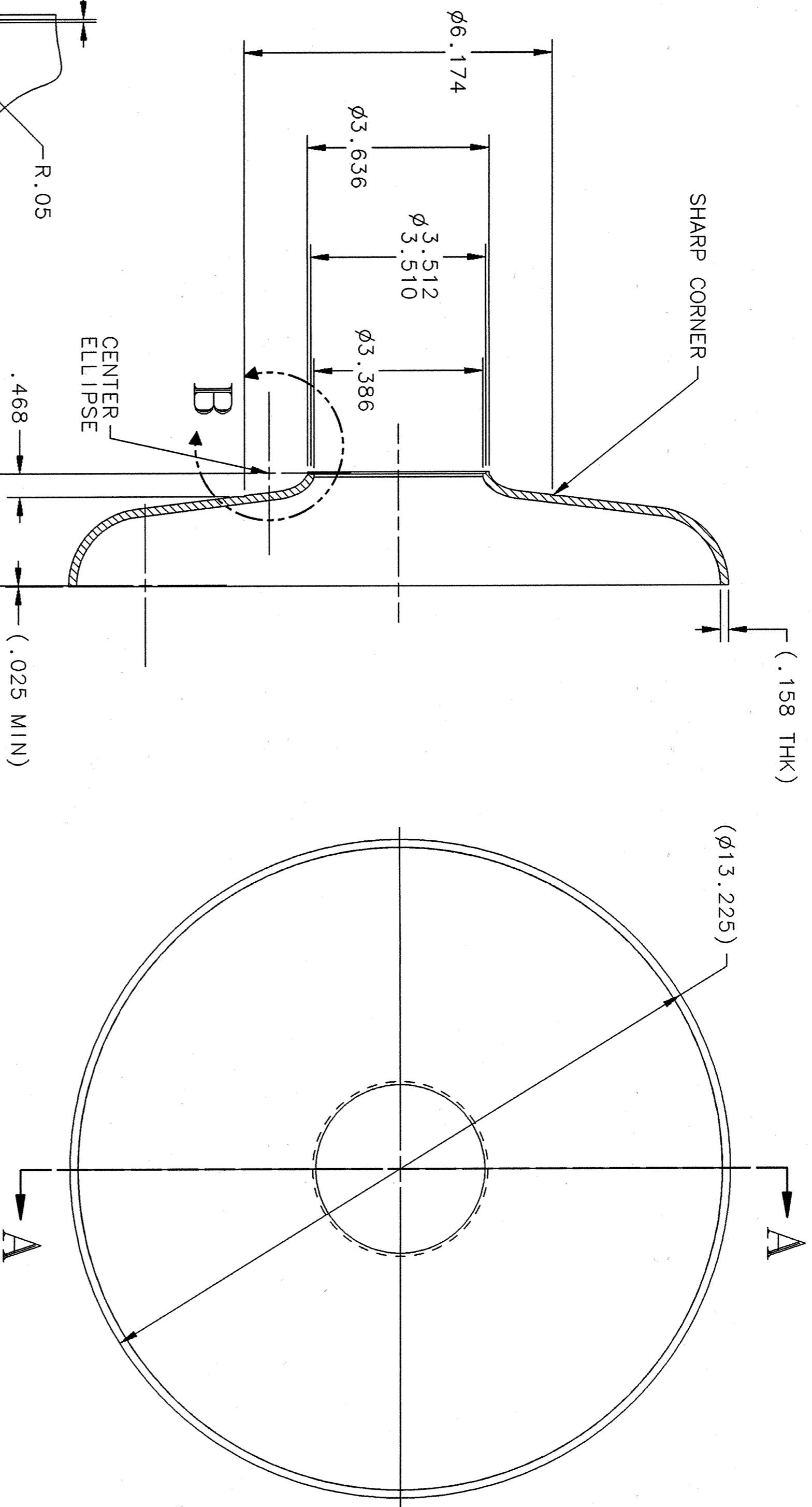
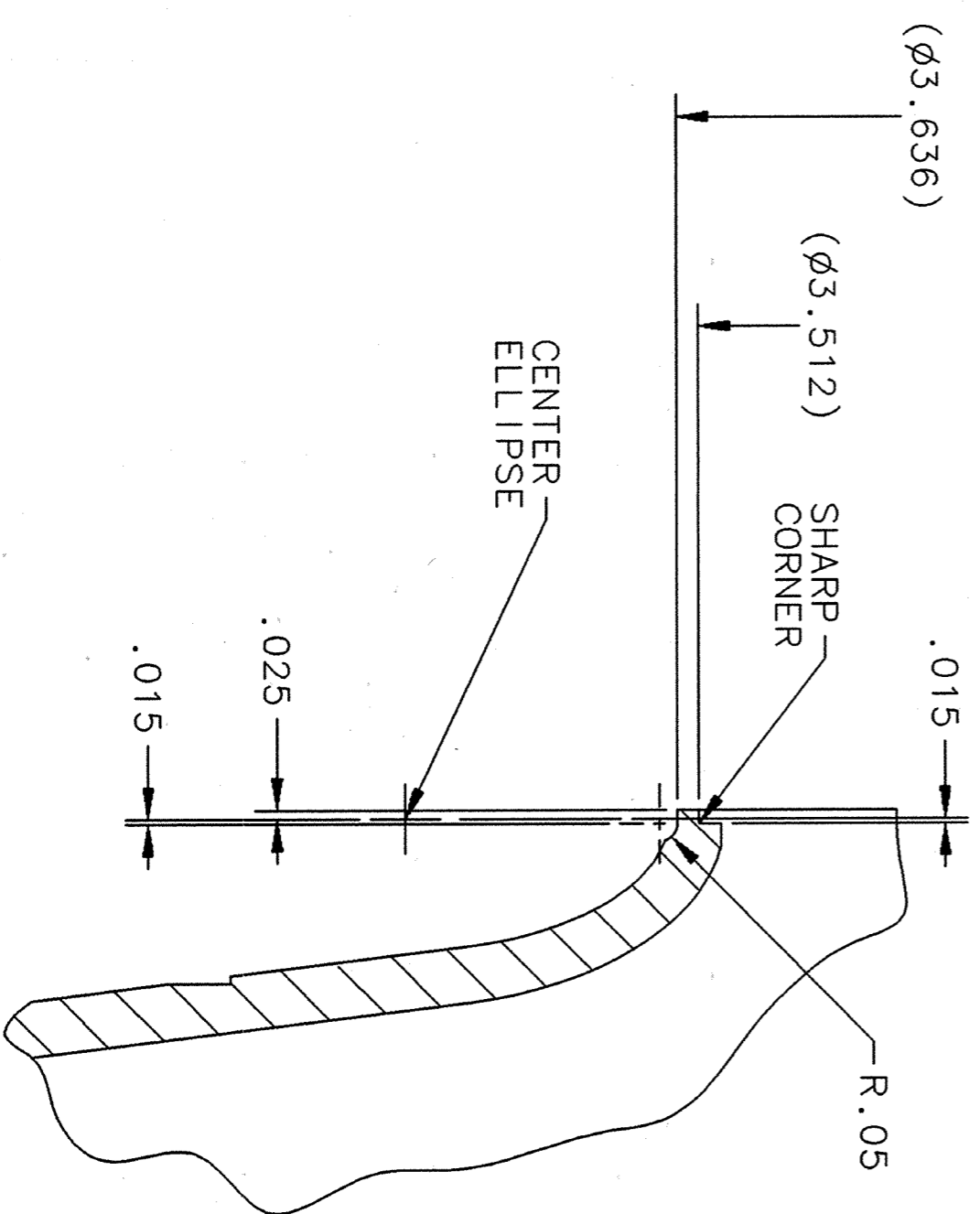


REVISION HISTORY				
ZONE	REV	DESCRIPTION	DATE	APPROVED



SECTION A-A



QTY	ITEM NO.	PART OR IDENTIFYING NO.	NONENGLISH OR DESCRIPTION	MATERIAL SPECIFICATION	NOTES
1	1	CRM9007010-1000	CENTER CELL (STAMPING)		

DIM & TOL PER ANSI Y14.5. UNLESS OTHERWISE SPECIFIED DIMENSIONS ARE IN INCHES. TOLERANCES ARE: FRACTIONS DECIMAL ANGLES #N/A .XX #.01 .XXX #.001 #.50°

CADD I.D. NO.: I-DEAS
SNS DRW NO. 101111000-M8C-8200-A005-R00

APPROVALS
DRAWN R. GETZ DATE 26MAY00

Checked by: *M. Marie*
Appr'd by: *M. Marie*
Approved: *K. Weisell* 1/2/01

Thomas Jefferson National Accelerator Facility
UNITE STATES DEPARTMENT OF ENERGY

Jefferson Lab
SPALLATION NEUTRON SOURCE
0.61 BETA CRYMODULE
CENTER CELL (FEMALE MACH)-DETAIL

MATERIAL SEE PARTS LIST

FINISH 125 UNLESS OTHERWISE NOTED
DEBURR & BREAK ALL SHARP EDGES
DO NOT SCALE DRAWING

SCALE 1/2 USED ON ASSY NO. CRM9007010-1027 SHEET 1 OF 1

DETAIL B
(ENLARGED)

4

3

2

1