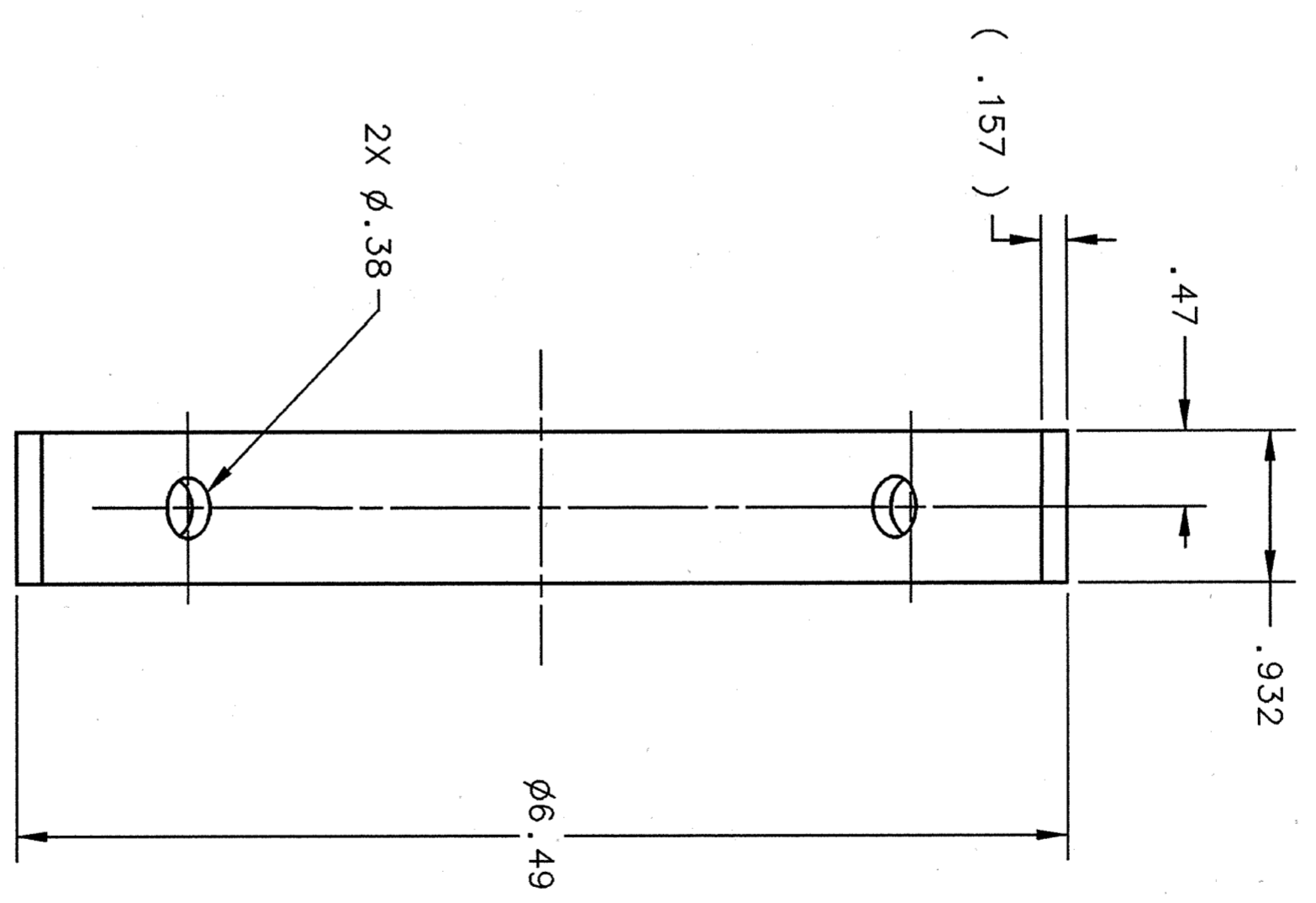
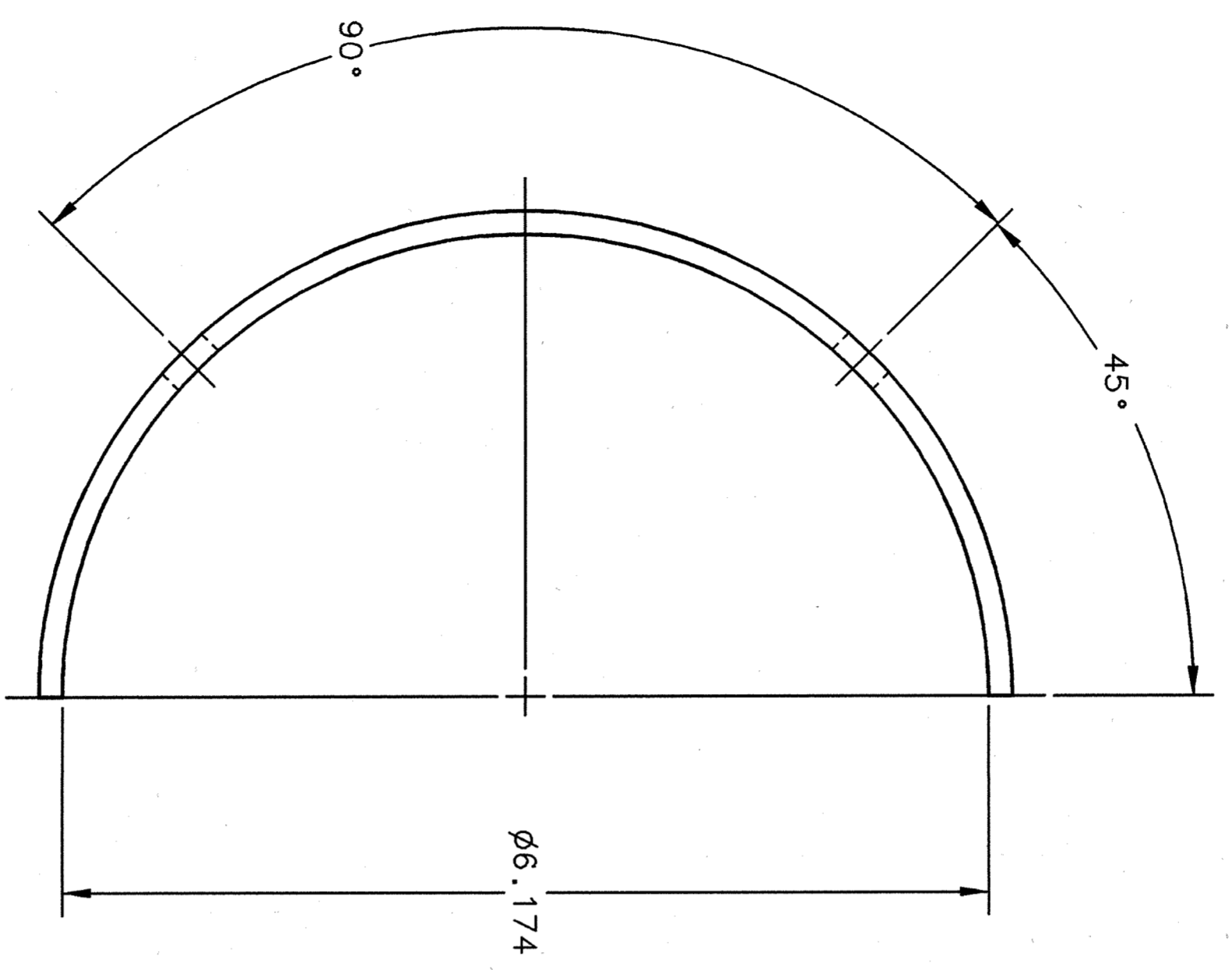


REVISION HISTORY				
ZONE	REV	DESCRIPTION	DATE	APPROVED
ALL	A	REVISED PART.	7-11-01	<i>[Signature]</i>
		GRB 05JUL01	7-12-01	<i>[Signature]</i>



DIM & TOL PER ANSI Y14.5. UNLESS OTHERWISE SPECIFIED DIMENSIONS ARE IN INCHES TOLERANCES ARE: FRACTIONS DECIMAL ANGLES #N/A .XXX ± .001 .XXX ± .01 .50°		CADD I.D. NO.: I-DEAS SNS DRAWING NO: 101111000-MBC-8200-A008-R00		Thomas Jefferson National Accelerator Facility NEWPORT NEWS, VIRGINIA UNITED STATES DEPARTMENT OF ENERGY	
MATERIAL: NIOBIUM - GRADE RRR SPEC CRM9000000-1000		APPROVALS DRAWN: R. GETZ CHECKED: D. MACHIE APPROVED: W. SCHNEIDER APPROVED: P. KNEISEL		DATE 10JAN01 1-11-01 1/12/01 1/12/01	
FINISH: 125 UNLESS OTHERWISE NOTED DEBURR & BREAK ALL SHARP EDGES		DO NOT SCALE DRAWING		SIZE/DWG. NO. CRM9007010-1005 SCALE: 1:1 USED ON ASSY NO. CRM9007010-1026, 1027	



4 3 2 1