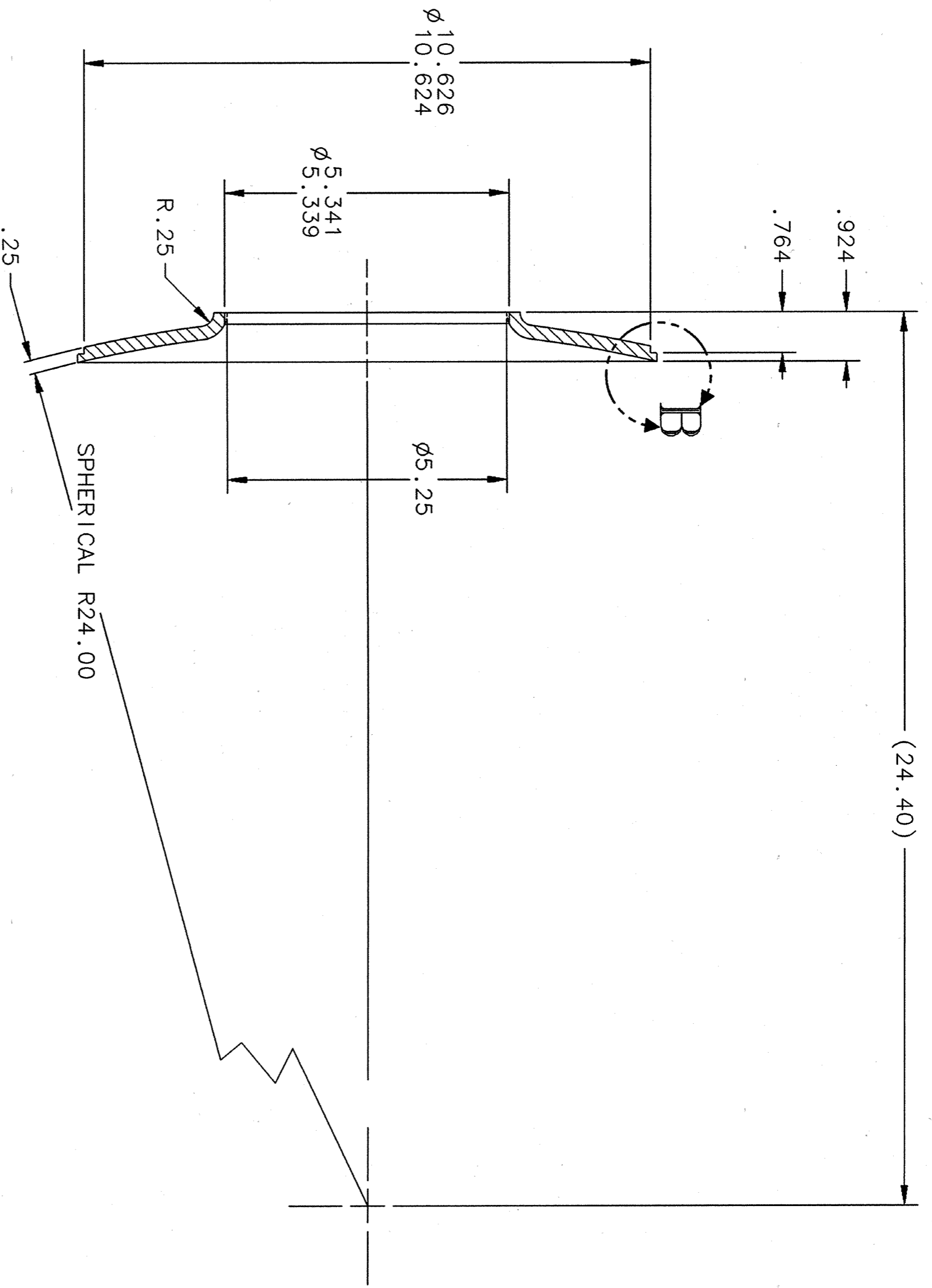
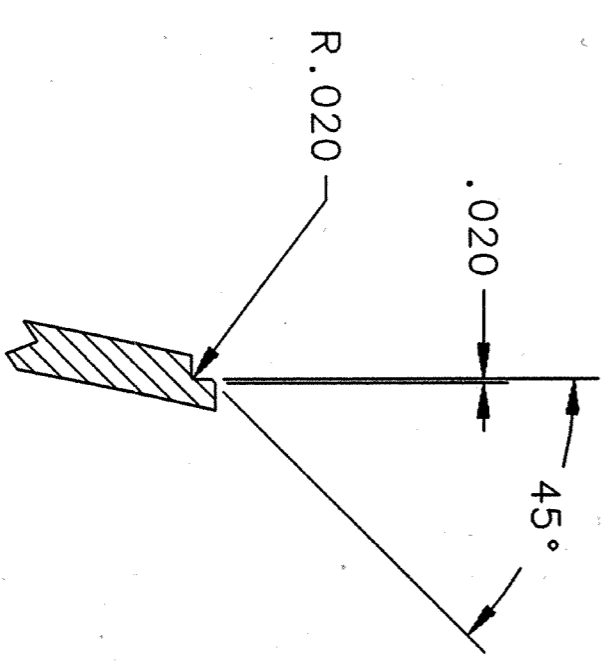
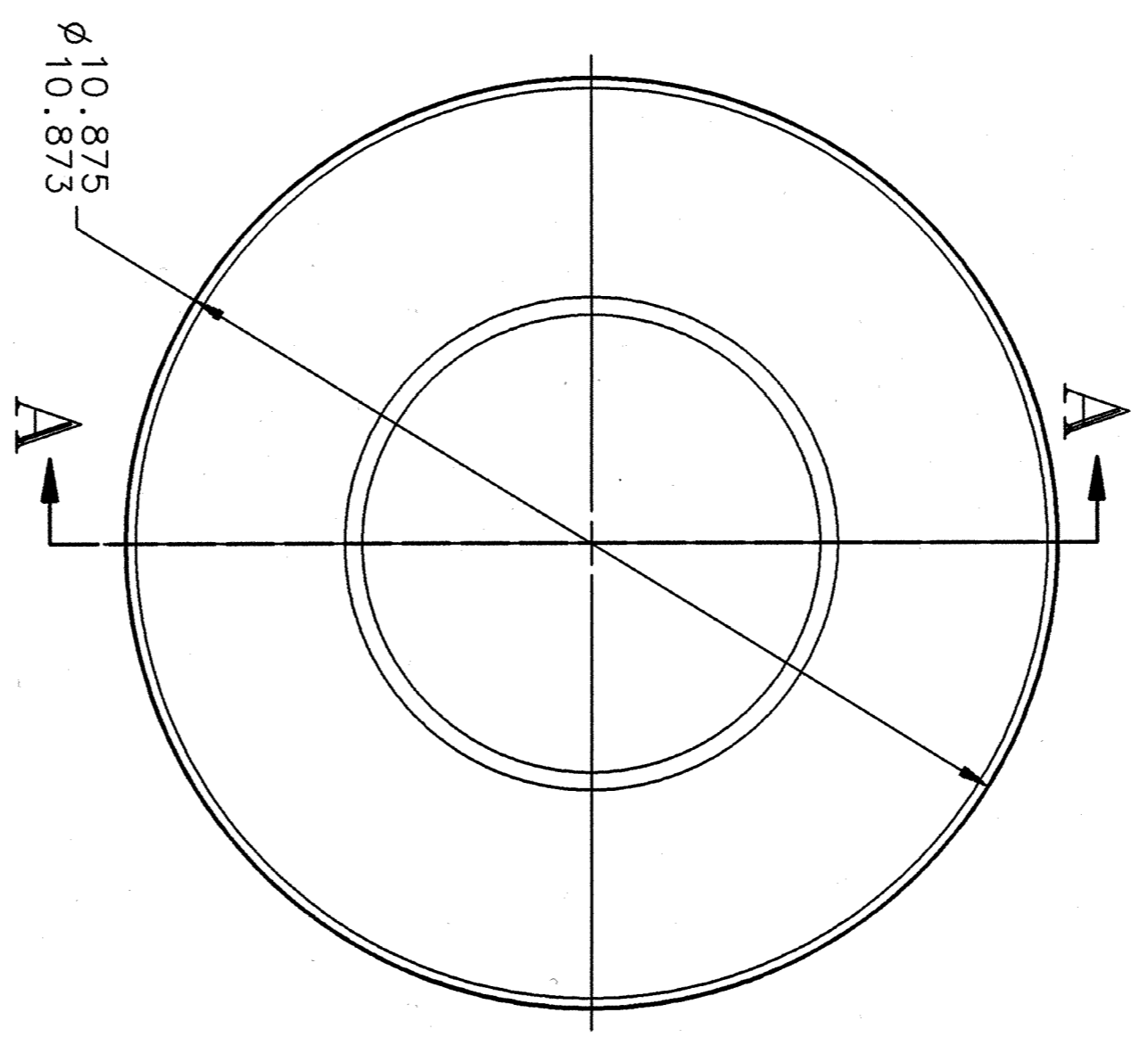


REVISION HISTORY				
ZONE	REV	DESCRIPTION	DATE	APPROVED



**SECTION A-A**

**DETAIL B**  
(ENLARGED)

DIM & TOL PER ANSI Y14.5 UNLESS OTHERWISE SPECIFIED DIMENSIONS ARE IN INCHES TOLERANCES ARE: FRACTIONS DECIMAL ANGLES #N/A .XXX ±.005 .XX ±.02 ±.50°		CADD I.D. NO.: I-DEAS SNS DRW NO 101111000-MBC-8200-A048-R00		Thomas Jefferson National Accelerator Facility UNITED STATES DEPARTMENT OF ENERGY Jefferson Lab	
MATERIAL NIOBIUM-REACTOR GRADE SPEC: CRM9000000-1001		APPROVALS DRAWN R. GETZ CHECKED <i>[Signature]</i>		DATE 28JUN00	
FINISH 125 <input checked="" type="checkbox"/> OTHERWISE NOTED DEBURR & BREAK ALL SHARP EDGES		APPROVED <i>[Signature]</i>		SIZE DWG. NO. CRM9007010-1045 SCALE 1:2 USED ON ASSY NO. CRM9007010-1047	
DO NOT SCALE DRAWING		APPROVED <i>[Signature]</i>		SHEET 1 OF 1	

