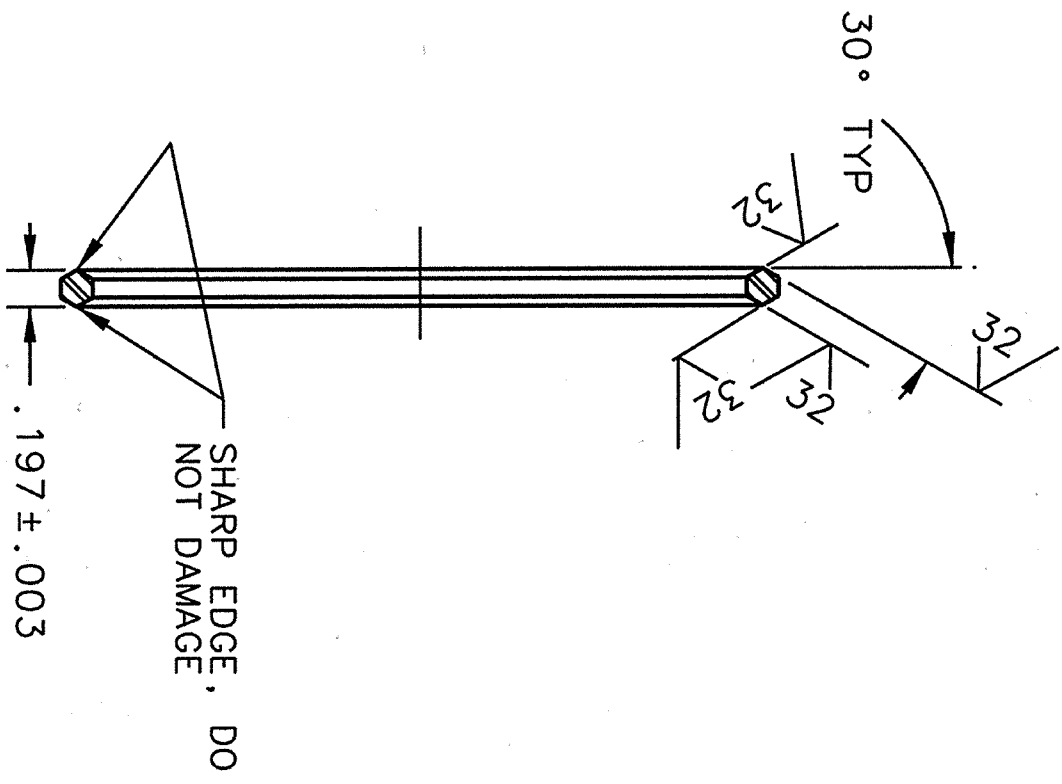
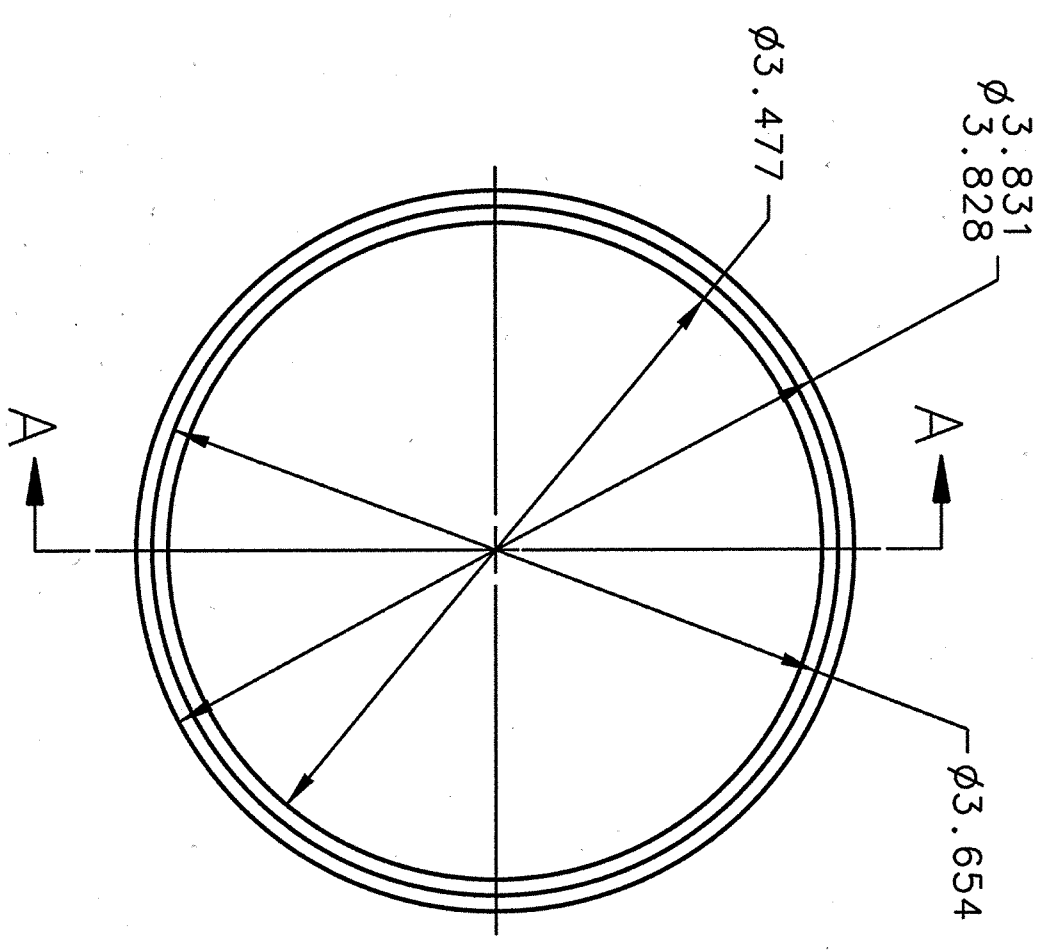


REVISION HISTORY				
ZONE	REV	DESCRIPTION	DATE	APPROVED
A		ADDED THIRD ANGLE PROJECTION SYMBOL	7-11-01	PK
		GRB 06JUL01	7-12-01	Q. S. ...



SECTION A-A

ICG

DIM & TOL PER ANSI Y14.5  
UNLESS OTHERWISE SPECIFIED  
DIMENSIONS ARE IN INCHES  
TOLERANCES ARE:  
FRACTIONS DECIMAL ANGLES  
#N/A .XX ±.01 ±.50°  
.XXX ±.005

MATERIAL  
AlMg3

FINISH 125 UNLESS OTHERWISE NOTED  
DEBURR & BREAK ALL SHARP EDGES  
DO NOT SCALE DRAWING

CADD I.D. NO.: 1-DEAS  
SNS DRAWING NUMBER:  
101111000-MBB-8200-A096-R00

APPROVALS	DATE
DRAWN R. BISHOP	31AUG00
CHECKED D. MACHIE	9/27/00
APPROVED W. SCHNEIDER	1/12/01
APPROVED P. KNEISEL	1/12/01

Thomas Jefferson National Accelerator Facility  
NEWPORT NEWS, VIRGINIA  
UNITED STATES DEPARTMENT OF ENERGY

Jefferson Lab

SPALLATION NEUTRON SOURCE  
0.61 BETA CRYMODULE  
CAVITY  
BEAM TUBE/FPC FLANGE SEAL DETAIL

SIZE DWG. NO. CRM9007010-1051 REV. A

SCALE 1:1 USED ON ASSY NO. CRM9007010-0001/0002 SHEET 1 OF 1

