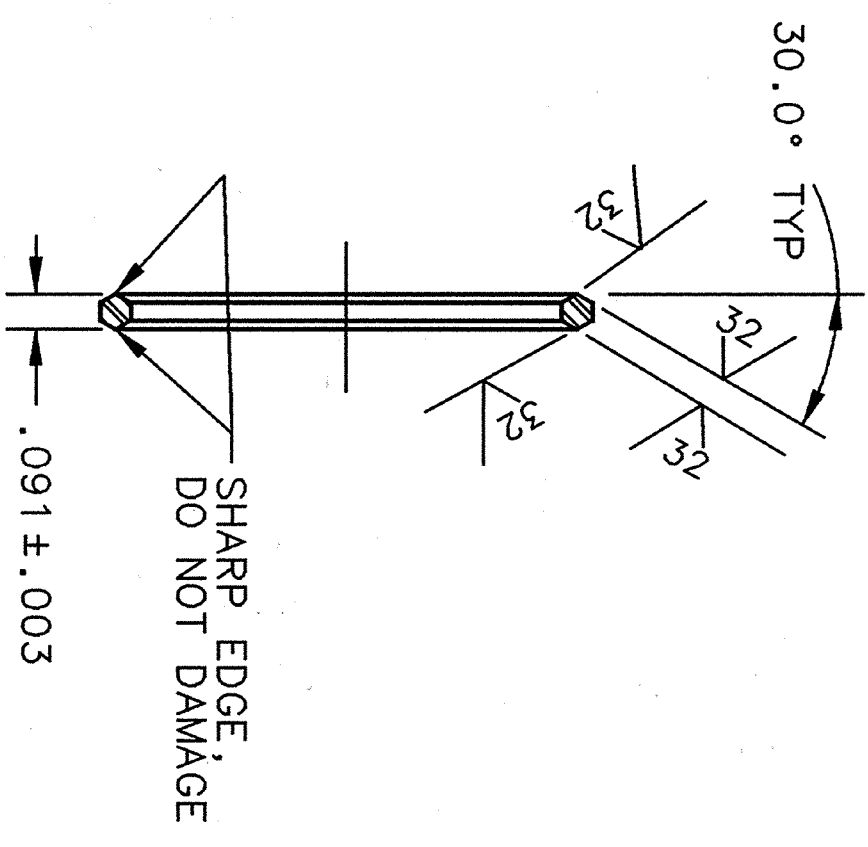
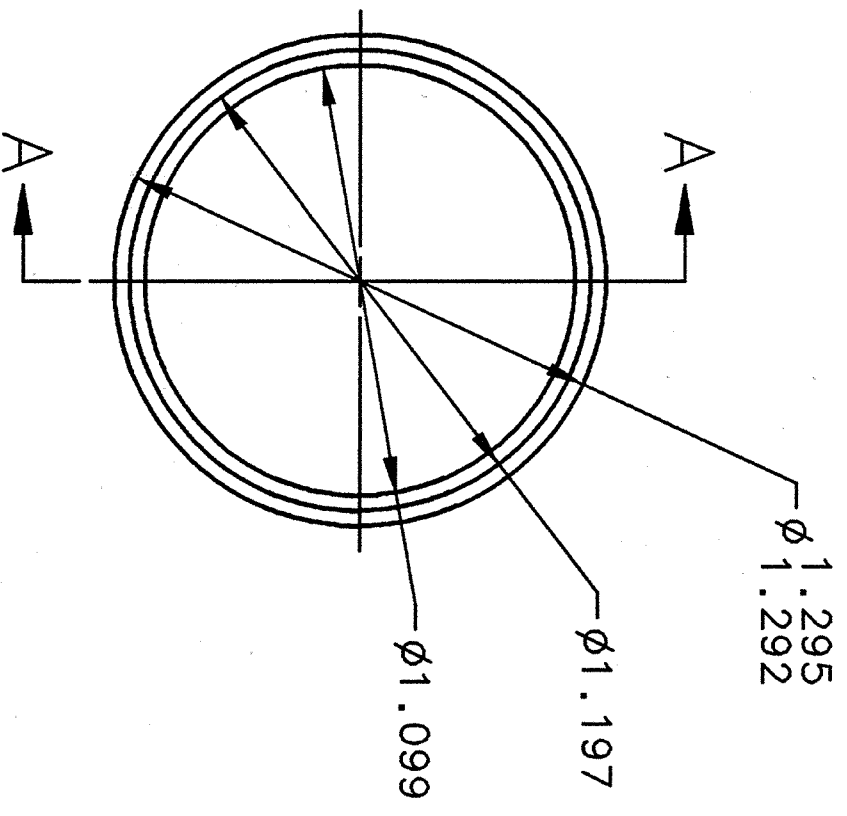


REVISION HISTORY				
ZONE	REV	DESCRIPTION	DATE	APPROVED
	A	ADDED THIRD ANGLE PROJECTION SYMBOL AND SECTION A-A CALL-OUT.	7-11-01	GRB
			7-12-01	G. H. H.



SECTION A-A

DIM & TOL PER ANSI Y14.5
 UNLESS OTHERWISE SPECIFIED
 DIMENSIONS ARE IN INCHES
 TOLERANCES ARE:
 FRACTIONS DECIMAL ANGLES
 ±N/A .XX ±.01 ±.50°
 .XXX ±.005

MATERIAL
 Almg3

FINISH 125 UNLESS OTHERWISE NOTED
 DEBURR & BREAK ALL SHARP EDGES
 DO NOT SCALE DRAWING

CADD I.D. NO.: I-DEAS
 SNS DRAWING NUMBER
 101111000-M8B-8200-A098-R00

APPROVALS

DRAWN
 R. BISHOP
 31AUG00

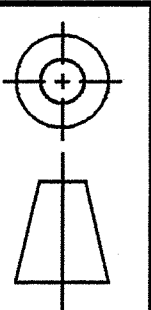
CHECKED
 D. MACHIE
 9/27/00

APPROVED
 W. SCHNEIDER
 1/12/01
 APPROVED
 P. KNEISEL
 1/12/01

Thomas Jefferson National Accelerator Facility
 NEWPORT NEWS, VIRGINIA
 UNITED STATES DEPARTMENT OF ENERGY

SPALLATION NEUTRON SOURCE
 0.61 BETA CRYOMODULE
 CAVITY
 PROBE FLANGE SEAL DETAIL

SIZE DWG. NO. CRM9007010-1053 REV. A
 SCALE 1:1 USED ON ASSY NO. CRM9007010-0001/0002 SHEET 1 OF 1



Jefferson Lab
 TGF