

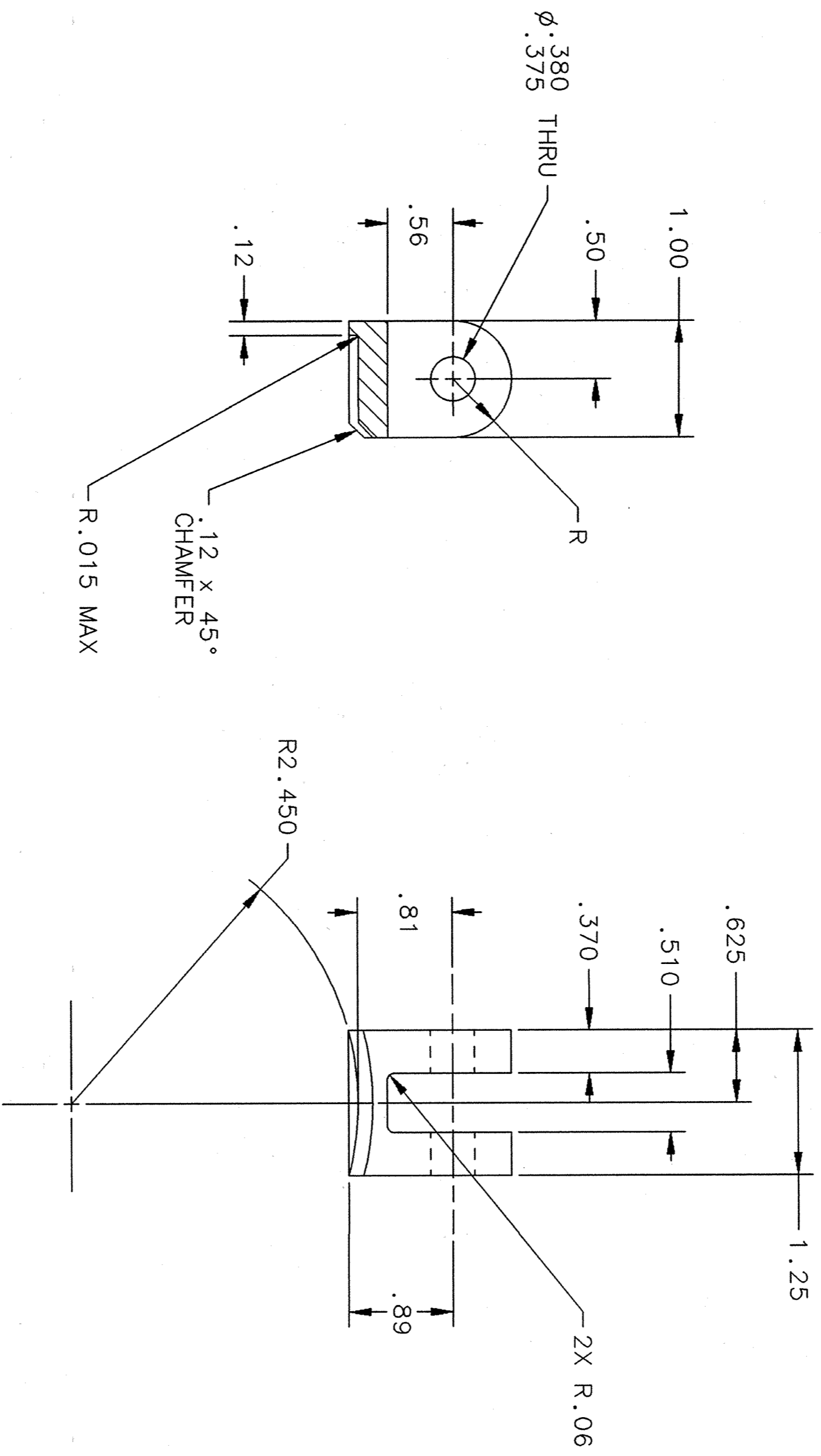
4

3

2

1

REVISION HISTORY			
ZONE	REV	DESCRIPTION	DATE



NOTES:

- 1. CLEAN AND HANDLE PER SPEC: 11520S0100



DIM & TOL. PER ANSL. Y14.5 UNLESS OTHERWISE SPECIFIED DIMENSIONS ARE IN INCHES TOLERANCES ARE: FRACTIONS DECIMAL ANGLES #N/A .XXX ± .005 .XX ± .01 ± .50°		CADD I.D. NO.: 1-DEAS SNS DRAWING NO. 101111000-M8C-8200-A065-R00		Thomas Jefferson National Accelerator Facility UNITED STATES DEPARTMENT OF ENERGY	
MATERIAL TITANIUM GRADE 2		APPROVALS DRAWN R. GETZ CHECKED D. MARRER APPROVED [Signature]		DATE 14NOV00 1/11/01 1/12/01	
FINISH 125 UNLESS OTHERWISE NOTED DEBURR & BREAK ALL SHARP EDGES		DO NOT SCALE DRAWING		SIZE DWG. NO. C CRM9007010-1057	
SCALE 1:1 USED ON ASSY NO. CRM9007010-1043		SHEET 1 OF 1		REV. -	

SPALLATION NEUTRON SOURCE
 0.61 BETA CRYOMODULE
 CAVITY
 PADEYE - DETAIL

A

4

3

2

1