

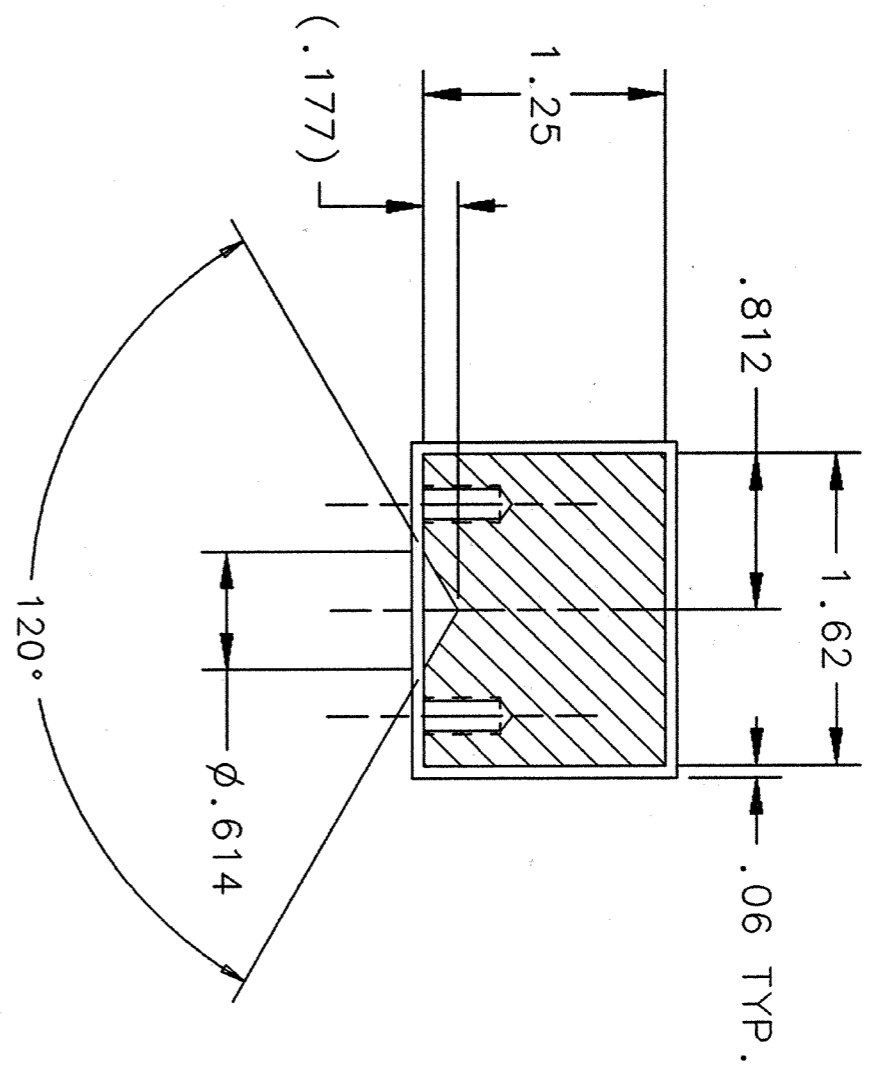
4

3

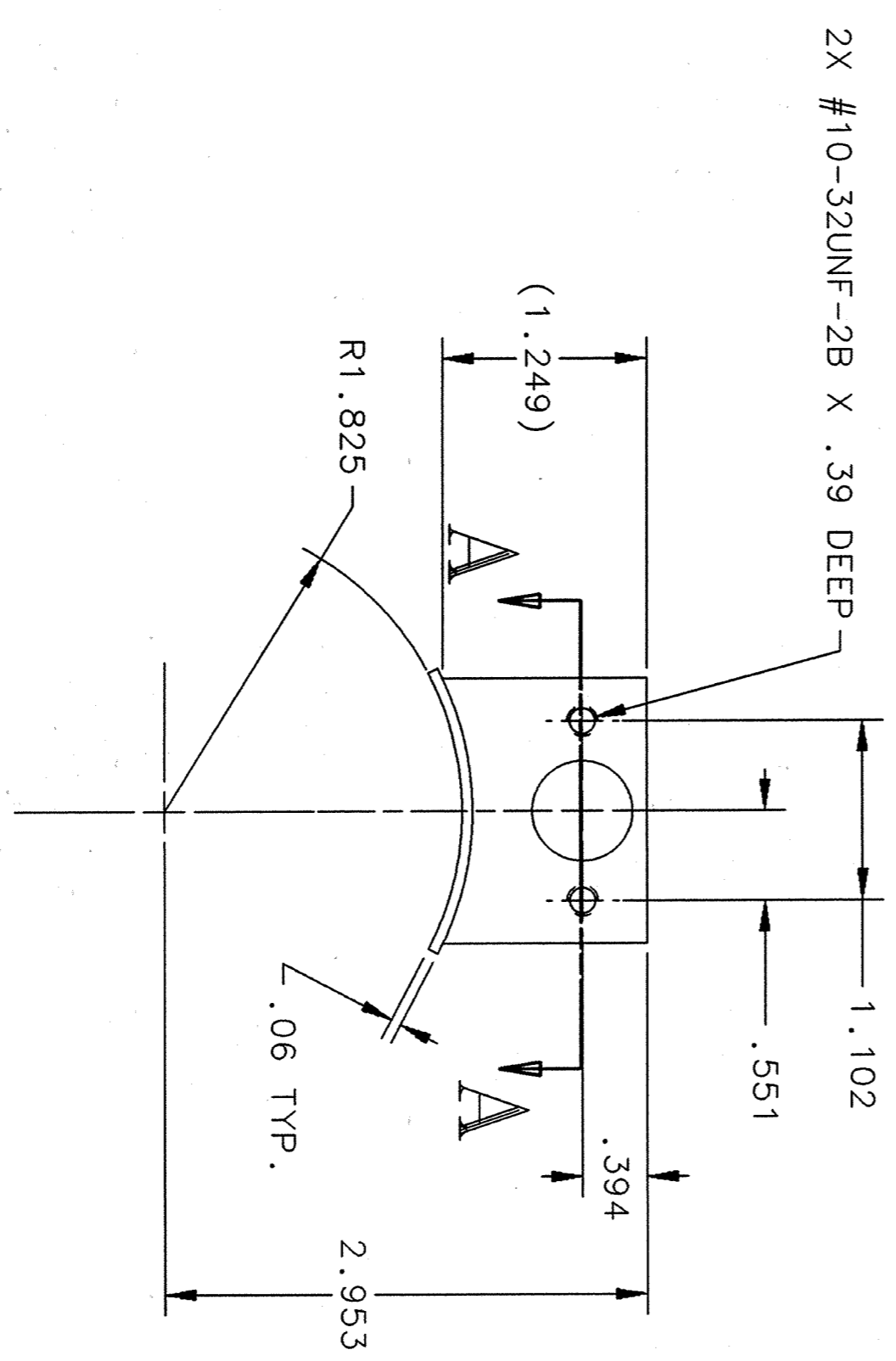
2

1

REVISION HISTORY				
ZONE	REV	DESCRIPTION	DATE	APPROVED



SECTION A-A



DIM & TOL PER ANSI Y14.5 UNLESS OTHERWISE SPECIFIED DIMENSIONS ARE IN INCHES TOLERANCES ARE: FRACTIONS DECIMAL ANGLES ±N/A .XXX ±.005 ±.50°		CADD I.D. NO.: I-DEAS SNS DRAWING NO 101111000-M8C-8200-A066-R00		Thomas Jefferson National Accelerator Facility UNITED STATES DEPARTMENT OF ENERGY	
MATERIAL NIOBIUM-TITANIUM		APPROVALS DRAWN R. GETZ CHECKED D. WAPPEL APPROVED P. WARE		DATE 17NOV00 1/16/01 1/21/01	
FINISH 125 UNLESS OTHERWISE NOTED DEBURR & BREAK ALL SHARP EDGES DO NOT SCALE DRAWING		SIZE DWG. NO. C CRM9007010-1058		SPALLATION NEUTRON SOURCE 0.61 BETA CRYMODULE CAVITY CONNECTOR BLOCK-TUNER - DETAIL	
SCALE 1:1 USED ON ASSY NO. CRM9007010-1042		SHEET 1 OF 1		REV. -	

A

B

C

D

4

3

2

1