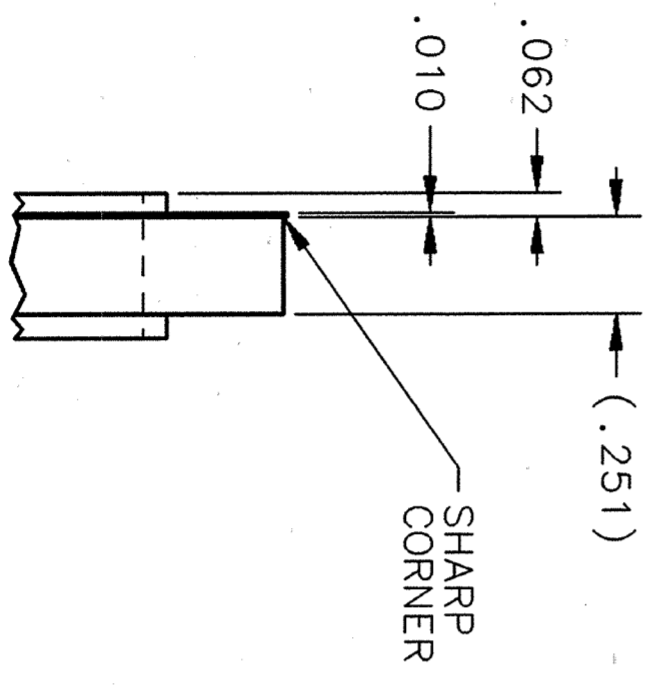
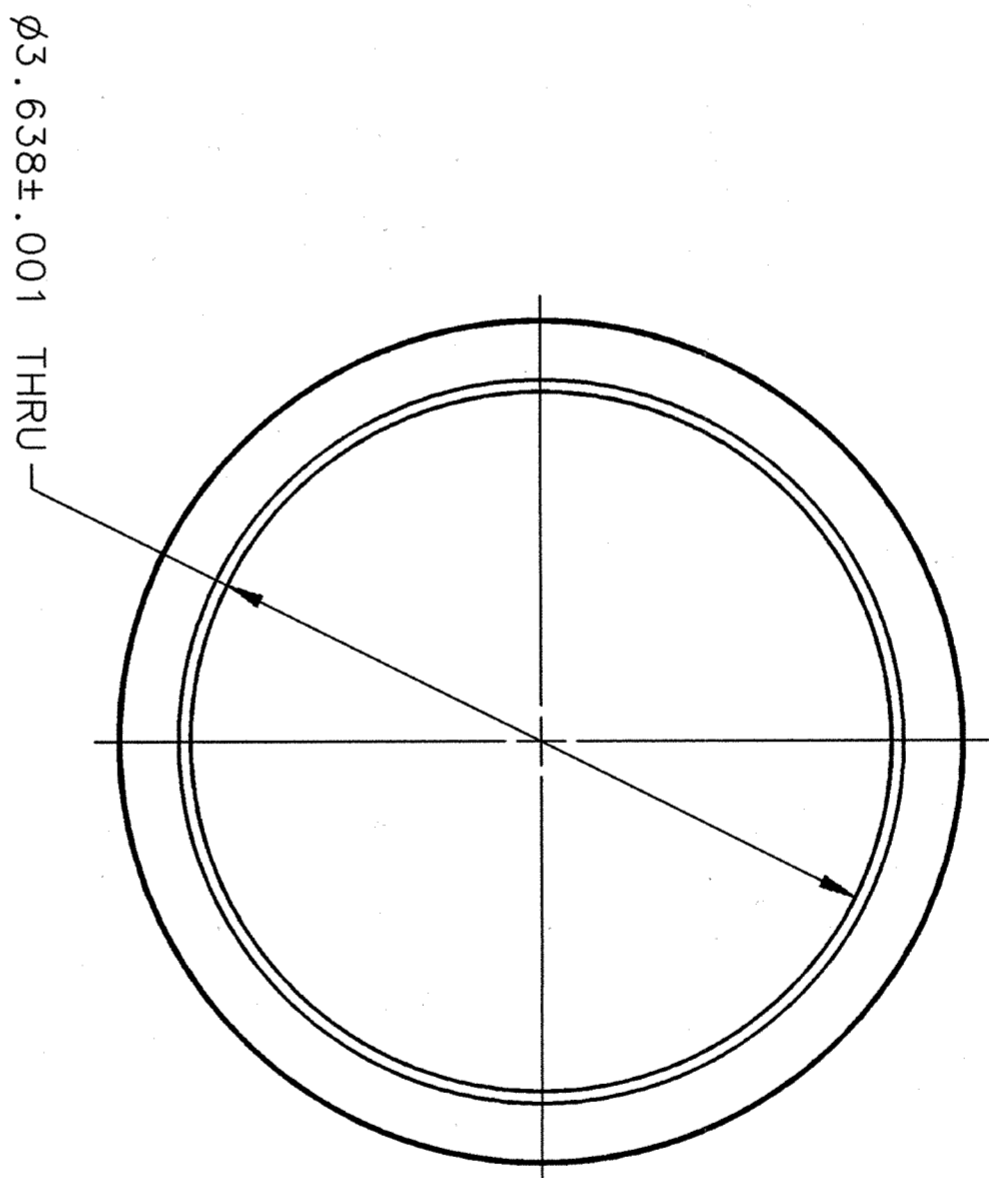
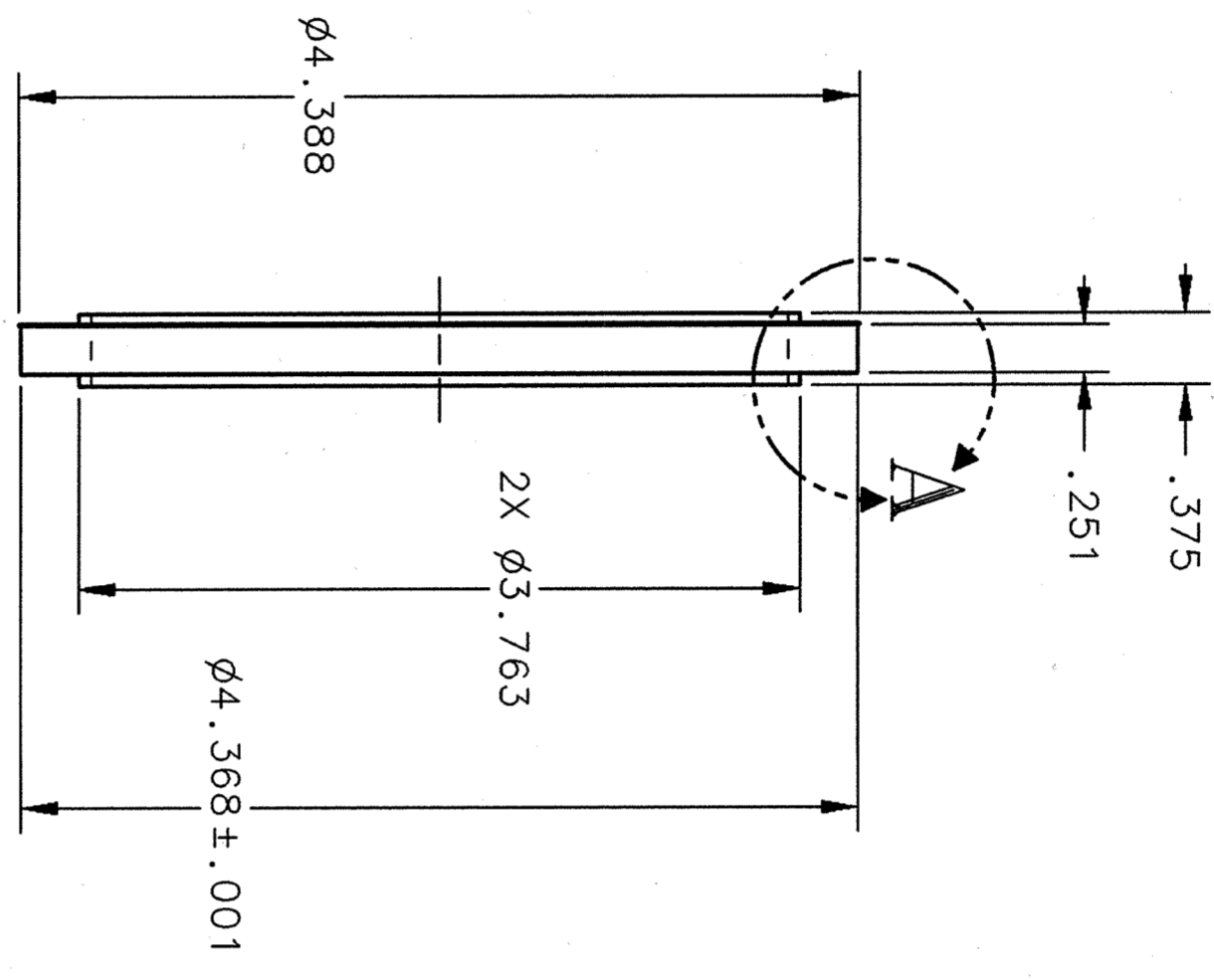


| REVISION HISTORY |     |             |      |          |
|------------------|-----|-------------|------|----------|
| ZONE             | REV | DESCRIPTION | DATE | APPROVED |
|                  |     |             |      |          |



VIEW A  
ENLARGED



|  |  |   |  |  |  |
|--|--|---|--|--|--|
| DIM & TOL PER ANSI Y14.5<br>UNLESS OTHERWISE SPECIFIED<br>DIMENSIONS ARE IN INCHES<br>TOLERANCES ARE:<br>FRACTIONS DECIMAL ANGLES<br>#N/A .XX #.01 #.50°<br>.XXX #.005 |  | CADD I.D. NO.: I-DEAS<br>SNS DRAWING NO.<br>101111000-MCC-8200-A109-R00 |  | Thomas Jefferson National Accelerator Facility<br>NEWPORT NEWS, VIRGINIA<br>UNITED STATES DEPARTMENT OF ENERGY |  |
| MATERIAL<br>NIOBIUM-REACTOR GRADE<br>SPEC: CRM9000000-1001   |  | APPROVALS<br>DRAWN R. GETZ<br>CHECKED D. MATTHEW                        |  | DATE<br>15DEC00<br>11-01   |  |
| FINISH 125<br>DEBURR & BREAK ALL SHARP EDGES   |  | APPROVED<br>[Signature]<br>APPROVED [Signature]                         |  | DATE<br>1/12/01<br>1/12/01   |  |
| DO NOT SCALE DRAWING   |  | SIZE DWG. NO.<br>C CRM9007010-1064                                      |  | SCALE 1:1<br>USED ON ASSY NO. CRM9007010-1046  |  |
| SPALLATION NEUTRON SOURCE<br>0.61 BETA CRYOMODULE<br>CAVITY<br>PROBE END RING - DETAIL   |  | SHEET 1 OF 1  |  | REV. -   |  |