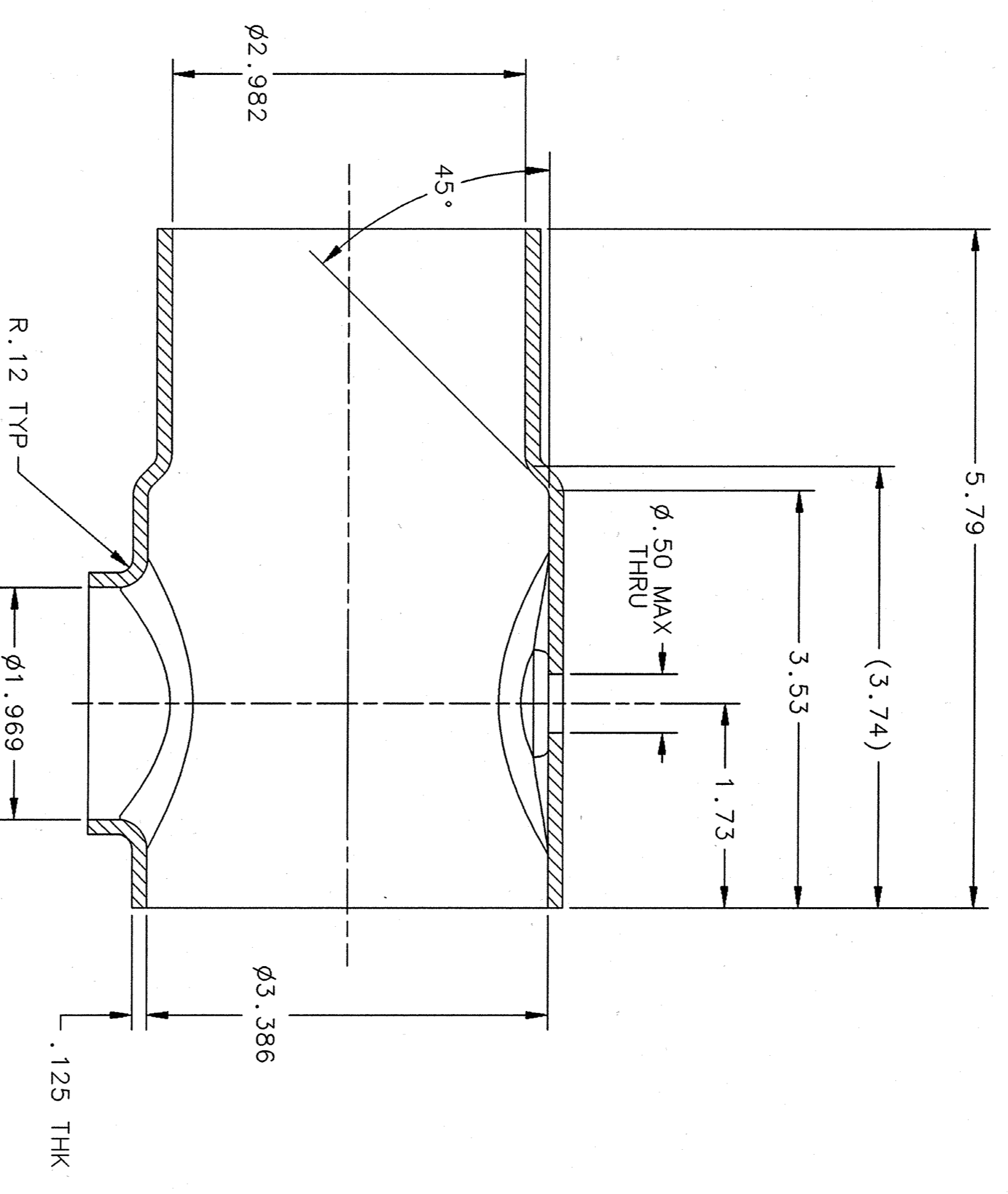
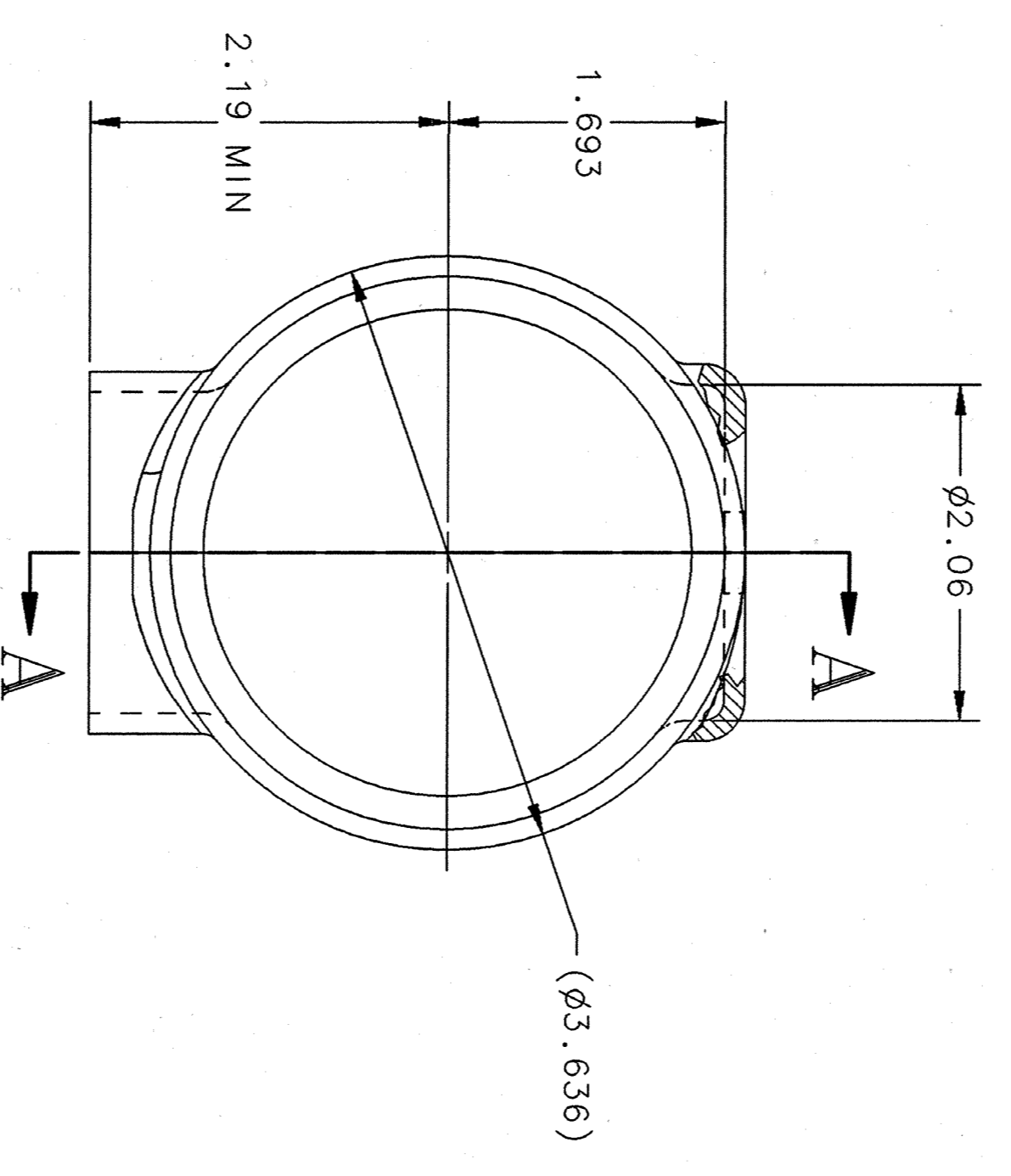


REVISION HISTORY		DATE	APPROVED
ZONE	REV		

DWG. NO. CRM9007010-1067 SHIT. 1 REV. -



SECTION A-A



		DIM & TOL PER ANSI Y14.5 UNLESS OTHERWISE SPECIFIED TOLERANCES ARE IN INCHES FRACTIONS DECIMAL ANGLES #N/A .XX ± .01 #.50° .XXX ± .005	
MATERIAL NIOBIUM-REACTOR GRADE SPEC: CRM9000000-1001		CAD D. I. D. NO.: I-DEAS SNS DWM NO 101111000-M00-8200-A119-R00	
FINISH 125 DESIGNER & BREAK ALL SHARP EDGES		APPROVALS DRAWN R. GETZ DATE 14FEB01	
DO NOT SCALE DRAWING		Thomas Jefferson National Accelerator Facility UNITED STATES DEPARTMENT OF ENERGY	
APPROVED 		SPALLATION NEUTRON SOURCE 0.61 BETA CRYOMODULE CAVITY (DRAWN)-DETAIL	
SIZE DWG. NO. CRM9007010-1067		SHEET 1 OF 1	

0 1 2 3 4 5 6 7 8

A B C D