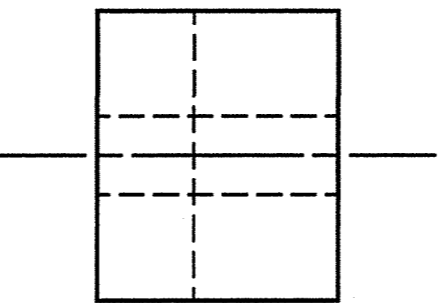
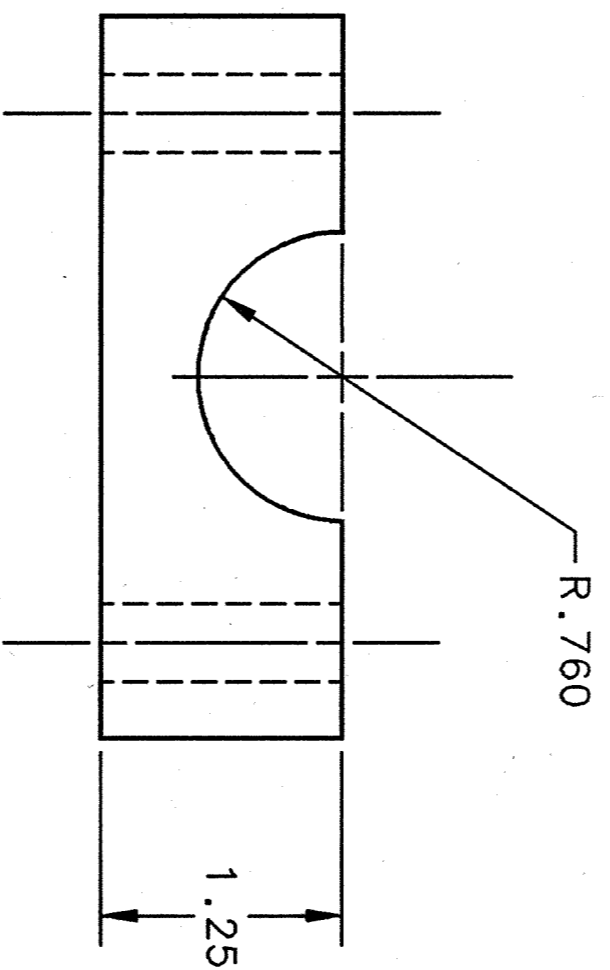
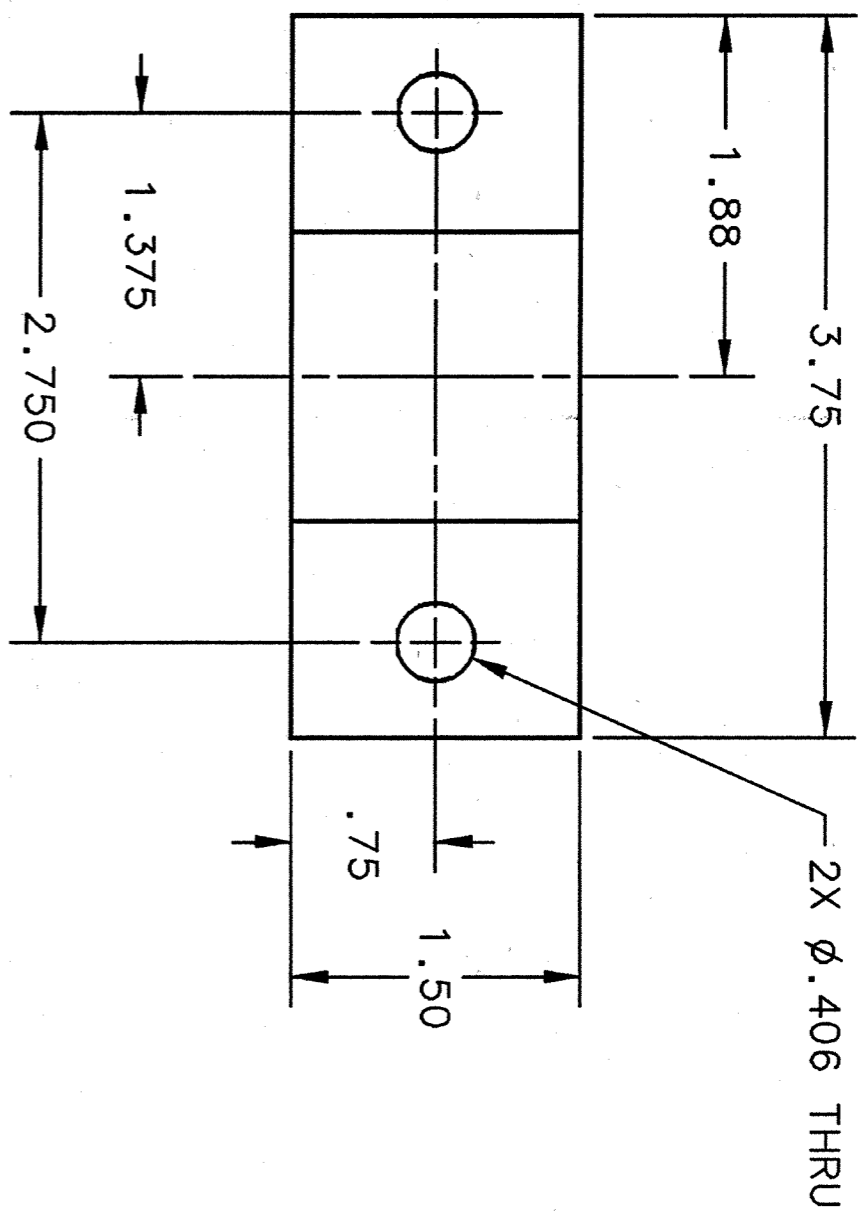


REVISION HISTORY				
ZONE	REV	DESCRIPTION	DATE	APPROVED



IGI

DIM & TOL. PER ANSL. Y14.5. UNLESS OTHERWISE SPECIFIED DIMENSIONS ARE IN INCHES TOLERANCES ARE: FRACTIONS DECIMAL ANGLES #/N/A .XXX #.005 #.50°		CADD I.D. NO.: 1-DEAS SNS DRAWING NUMBER: 104130801-T8C-8320-A109-R00		Thomas Jefferson National Accelerator Facility UNITED STATES DEPARTMENT OF ENERGY	
MATERIAL TITANIUM GRADE 2		APPROVALS		DRAWN R. BISHOP 18MAY01	
FINISH 125 ✓ UNLESS OTHERWISE NOTED DEBURR & BREAK ALL SHARP EDGES		CHECKED Chris Manno 05 July 01		APPROVED R. Bishop 05 JUL 01	
DO NOT SCALE DRAWING		APPROVED David T. Bell 06/11/01		SIZE DWG. NO. CRM9000010-0341 SCALE 1:1 USED ON ASSY NO. CRM9000010-0300 SHEET 1 OF 1	

4 3 2 1

A B C D