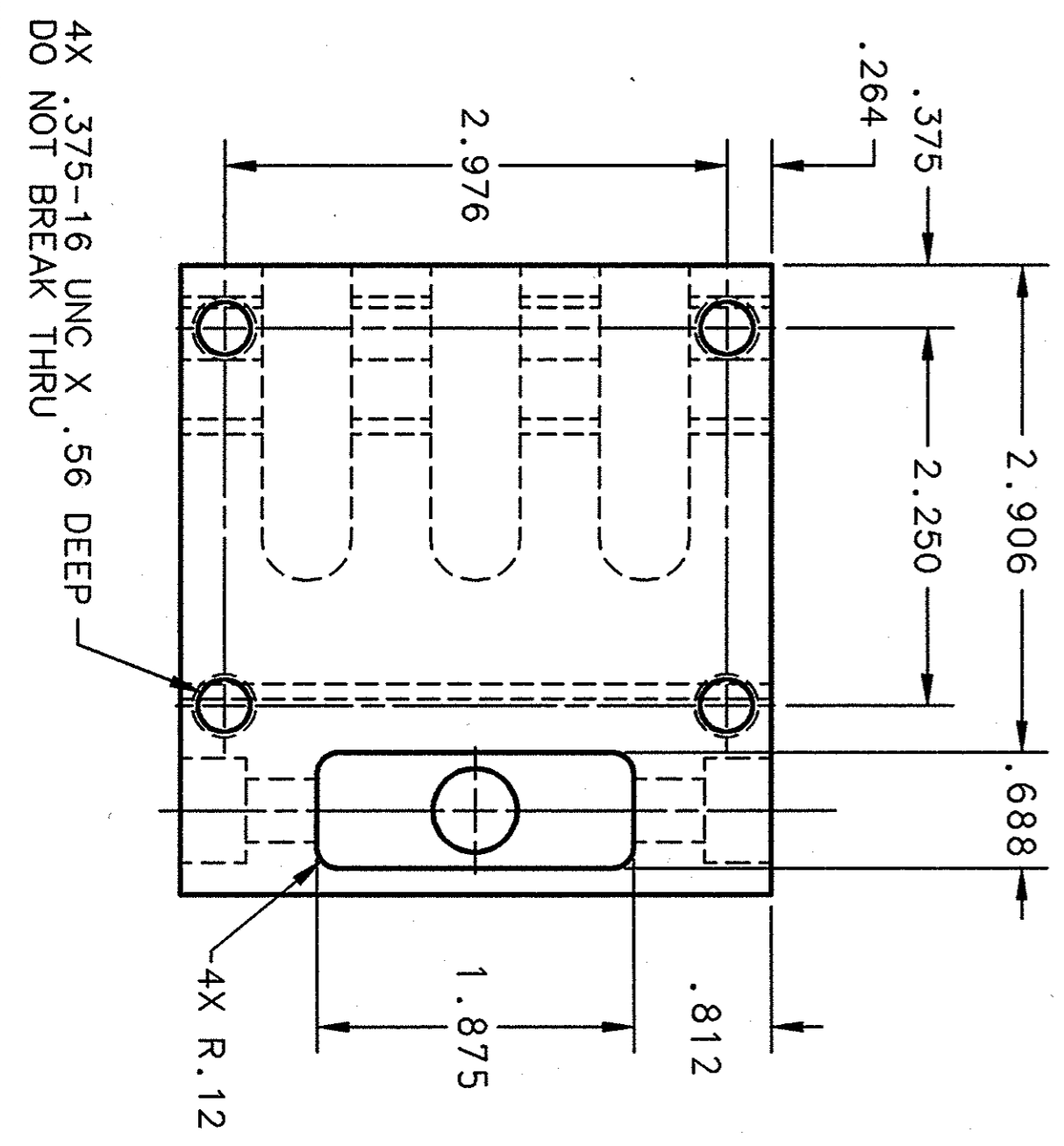
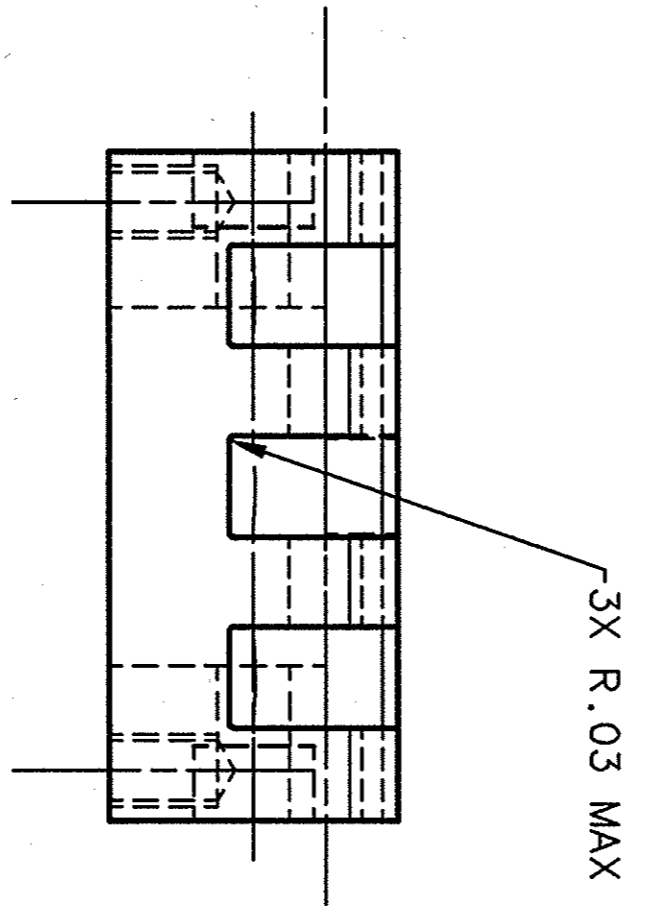
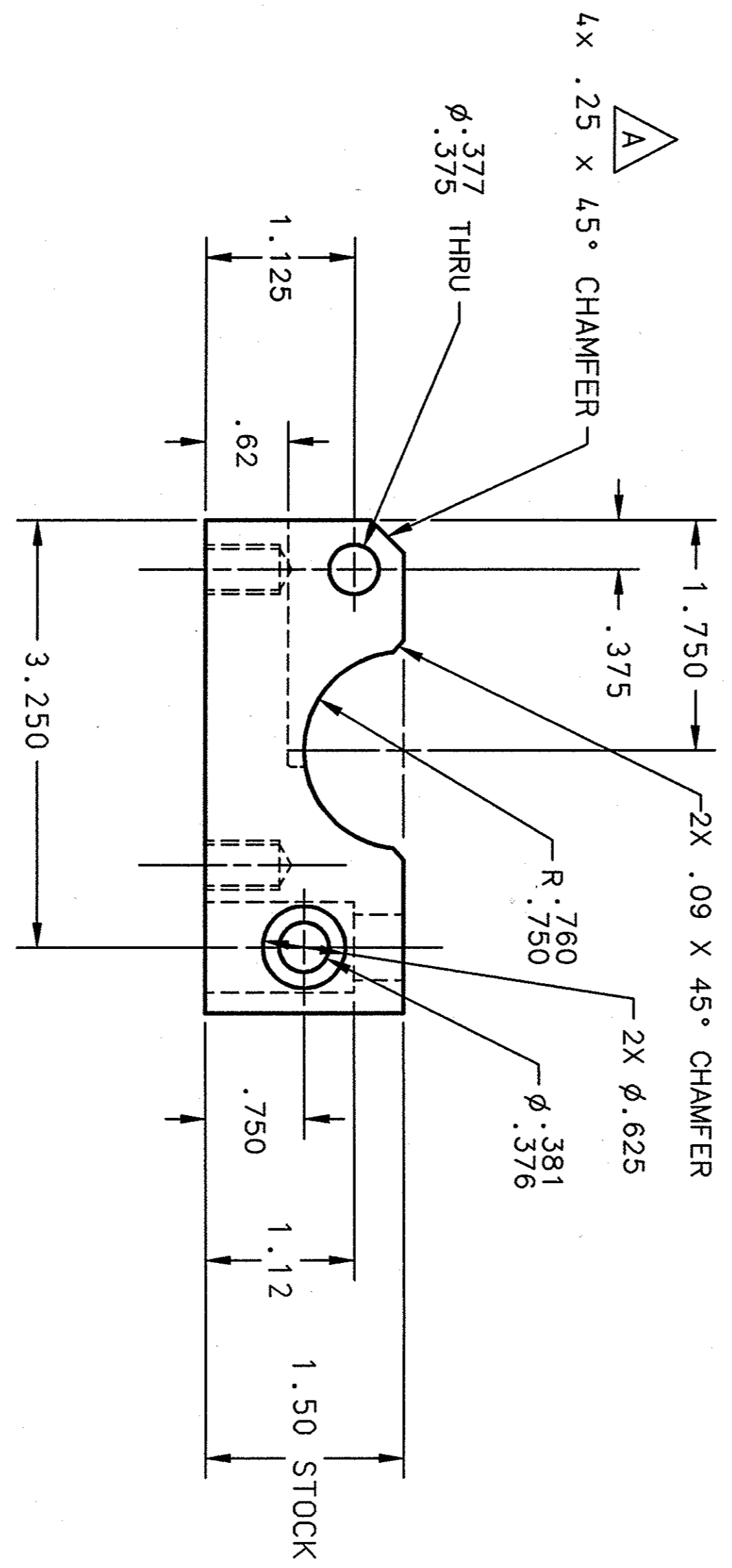
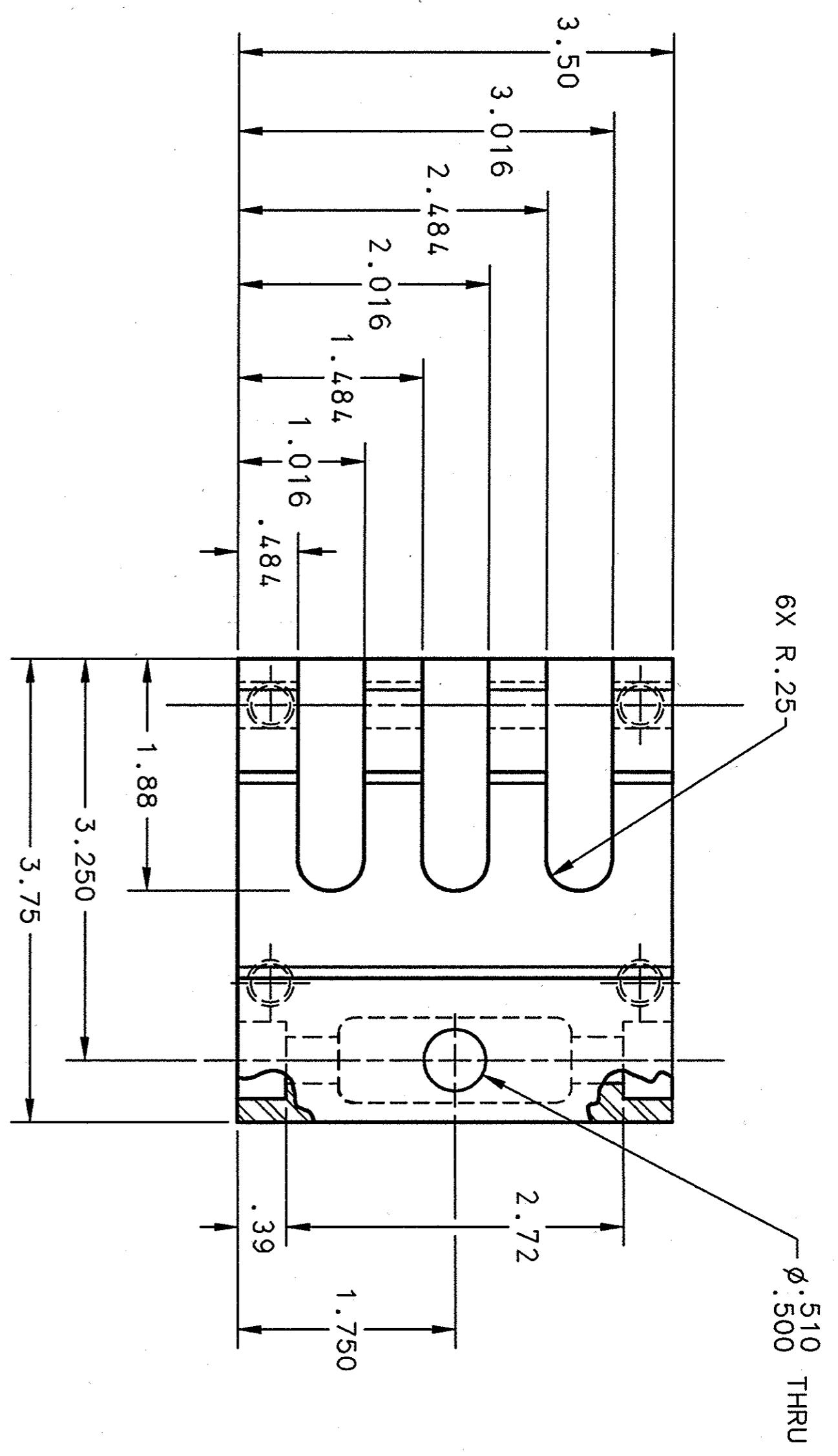


DMG. NO. CRM900010-0345		SHT. 1	REV. A
REVISION HISTORY			
ZONE	REV	DESCRIPTION	DATE
C5	A	ADDED .25 CHAMFER	08/11/11
			12/10/11
			2/10



DIM & TOLERANCES PER ANSI Y14.5		CADD I.D. NO.: 1-DEAS	
DIMENSIONS ARE IN INCHES		SNS DRAWING NUMBER:	
TOLERANCES ARE:		104130801-T80-8320-A173-R00	
FRACTIONS DECIMALS ANGLES		APPROVALS	
.XXX ± .005		DATE	
MATERIAL		DRAWN	
304 STAINLESS STEEL		R. BISHOP	
FINISH 125 UNLESS OTHERWISE NOTED		CHECKED	
DEBURR & BREAK ALL SHARP EDGES		CHRIS GRAVES	
DO NOT SCALE DRAWING		APPROVED	
		T. WHITLATCH	
		DATE	
		05JUL01	
		ED. DALY	
		DATE	
		05JUL01	
		SIZE	
		D	
		SCALE	
		1:1	
		SHEET	
		1 OF 1	

Thomas Jefferson National Accelerator Facility  
 UNITED STATES DEPARTMENT OF ENERGY



SPALLATION NEUTRON SOURCE  
 CAVITY HANDLING CAGE  
 LATCH BASE DETAIL

CRM9000010-0345