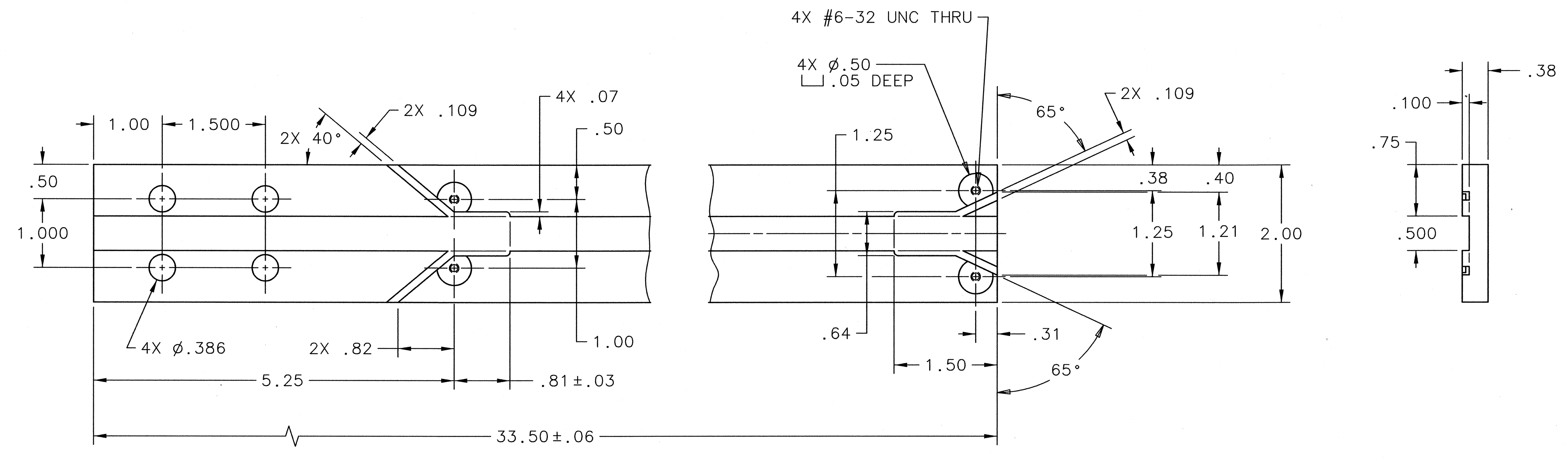


REVISION HISTORY				
ZONE	REV	DESCRIPTION	DATE	APPROVED



DOCUMENT CONTROL STAMP 	DIM & TOL PER ASME Y14.5 - UNLESS OTHERWISE SPECIFIED DIMENSIONS ARE IN INCHES TOLERANCES ARE: FRACTIONS DECIMAL ANGLES ± N/A .X ± .1 ± .50° .XX ± .01 .XXX ± .005	TRACKING NO. N/A		United States Department of Energy Jefferson National Accelerator Facility Newport News Virginia
		APPROVALS	DATE	
MATERIAL OFHC COPPER	THIRD ANGLE PROJECTION	DRAWN GARY VATELANA	MAY 22, 09	SIZE DWG. NO. 67145-00411 SCALE 1:1 USED ON ASSY NO. 67145-00410 SHEET 1 OF 1
FINISH MACHINED SURFACES 125 UNLESS OTHERWISE NOTED DEBURR & BREAK ALL SHARP EDGES DO NOT SCALE DRAWING		CHECKED <i>B. [Signature]</i>	5/22/09	
		APPROVED <i>Sim [Signature]</i>	5/22/09	REV. -