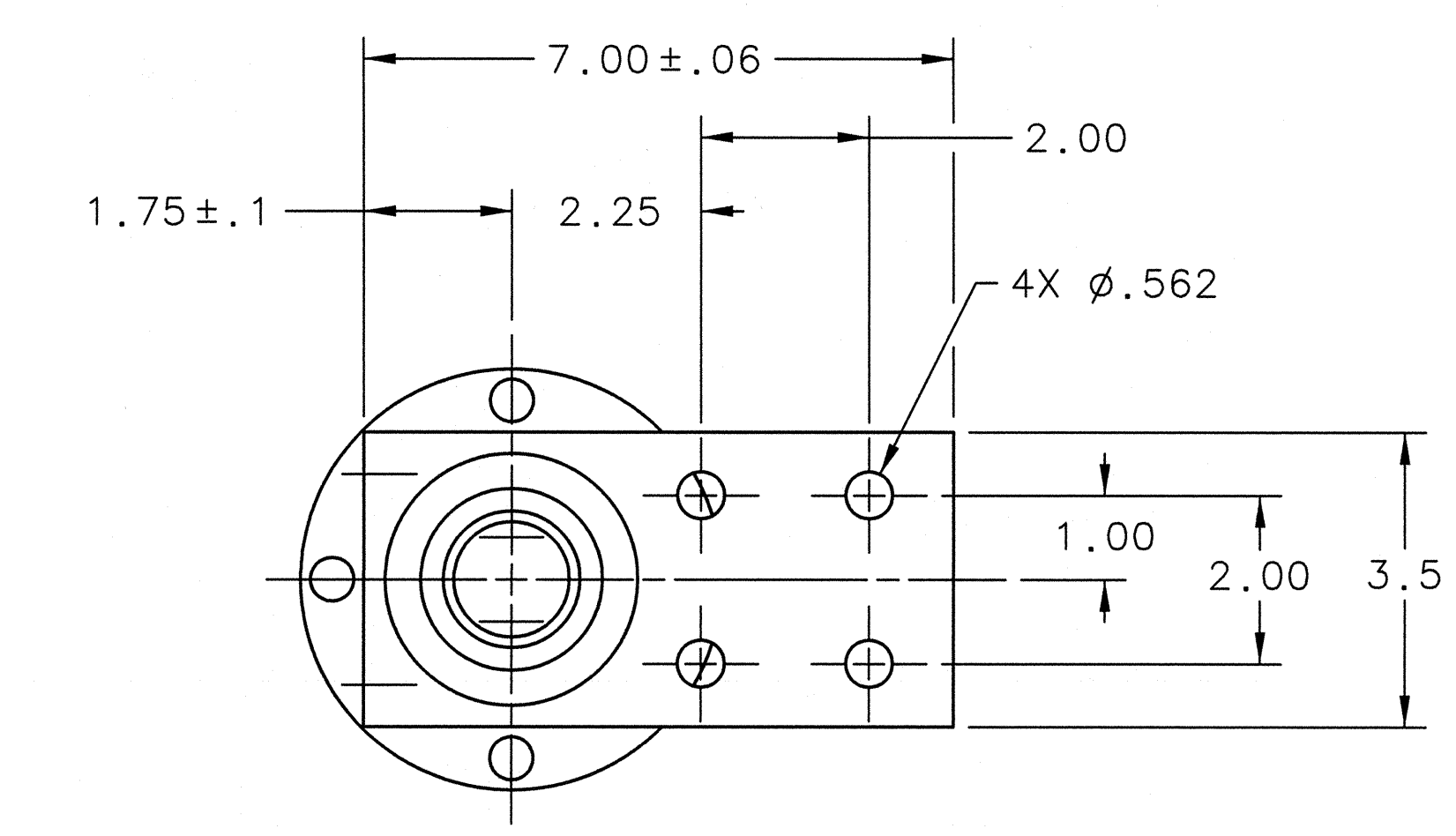
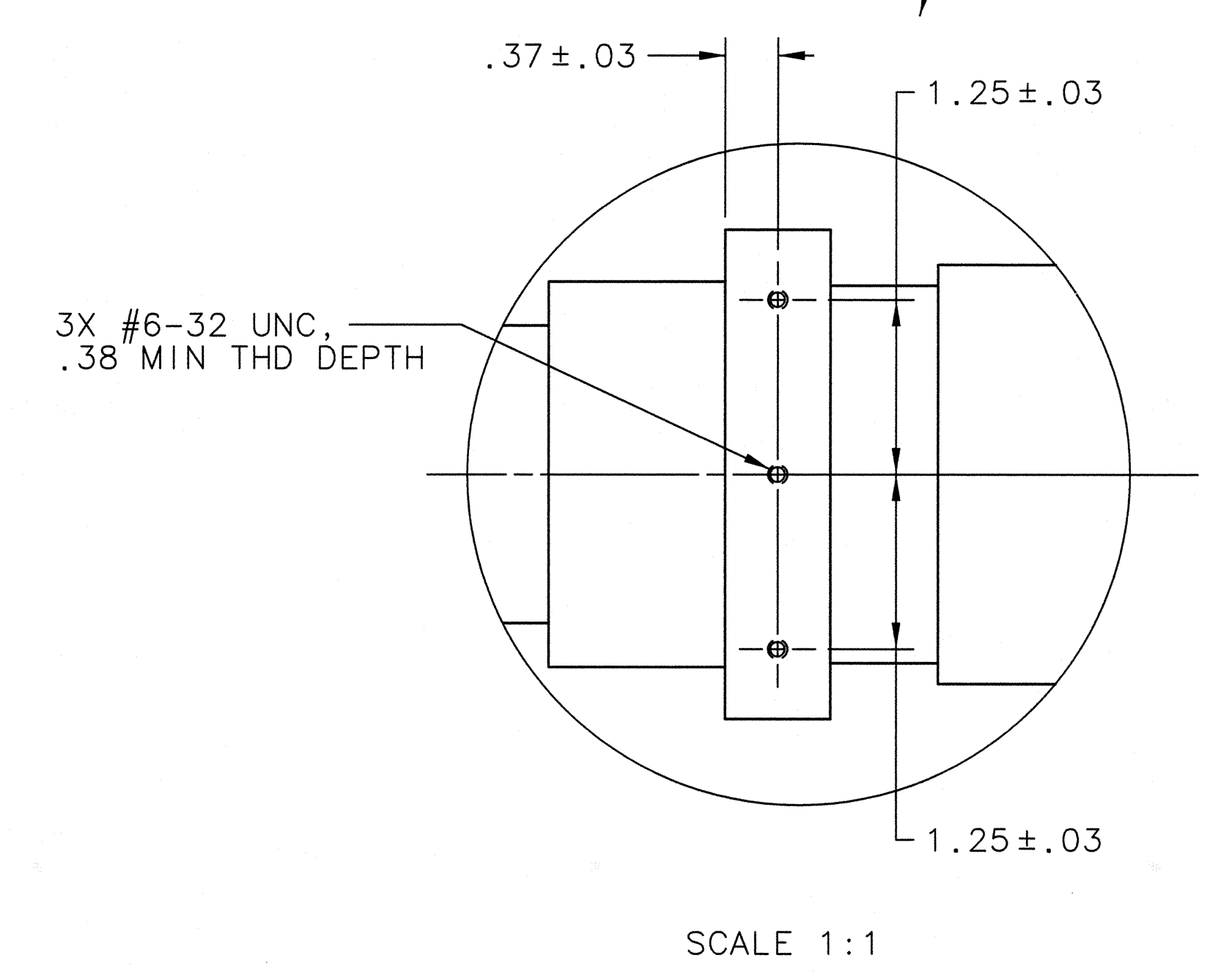
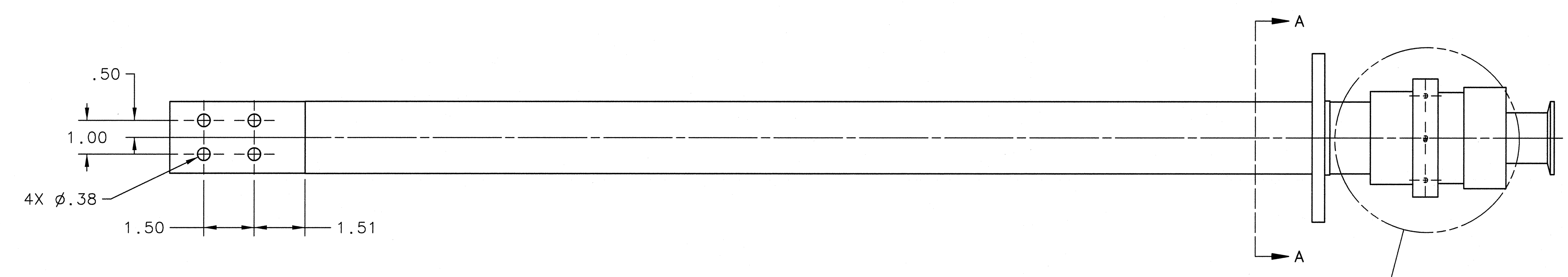
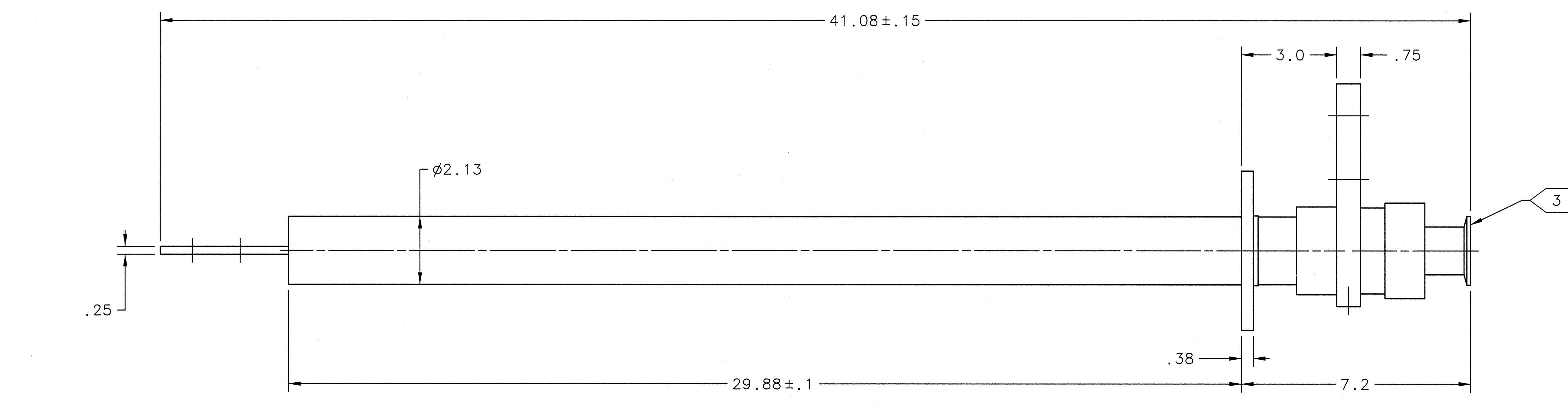


Notes

- Leads shall remain within acceptable temperature under the following conditions:
    - A- No coolant at 5000 amps for 700 seconds.
    - B- No coolant / magnet discharge at 3 amps/sec time > 600 seconds.
    - C- No coolant / magnet discharge at 5 amps/sec time > 1200 seconds.
    - D- Helium boiloff rate at 5000 amps ≤ 8 liters/hr/lead.
  - Leads are required to survive (without damage) a 1000 second discharge without coolant.
- 3 Part to be ISO KF half nipple fitting, size NW40, material 304SS.



EACH SHEET OF MULTI-SHEET DRAWINGS SHALL ALWAYS HAVE THE SAME REVISION LEVEL.			
DOCUMENT CONTROL STAMP <b>ICG</b>	DIM & TOL PER ASME Y14.3 UNLESS OTHERWISE SPECIFIED DIMENSIONS ARE IN INCHES FRACTIONS DECIMAL ANGLES X ±.1 ±.50° XXX ±.005	TRACKING NO. N/A	United States Department of Energy <b>Jefferson Lab</b> Newport News Virginia
MATERIAL 304 SS	THIRD ANGLE PROJECTION	APPROVALS DRAWN: GARY MATTELANA CHECKED: [Signature] APPROVED: [Signature]	DATE MAY 21, 09
FINISH: 125 UNLESS OTHERWISE NOTED SURFACES DISBUR & BREAK ALL SHARP EDGES	DO NOT SCALE DRAWING	SIZE 1:2	SHIMS CRYO BOX ASSY 5000A VAPOR COOLED CUR LEAD ASSY 5000A VAPOR COOLED CURRENT LEAD DWG. NO. 67145-00417 REV. 1
		ISSN OR ASSY NO. 67145-00410	SHEET 1 OF 1