

Current cal - 3.029 V
Total

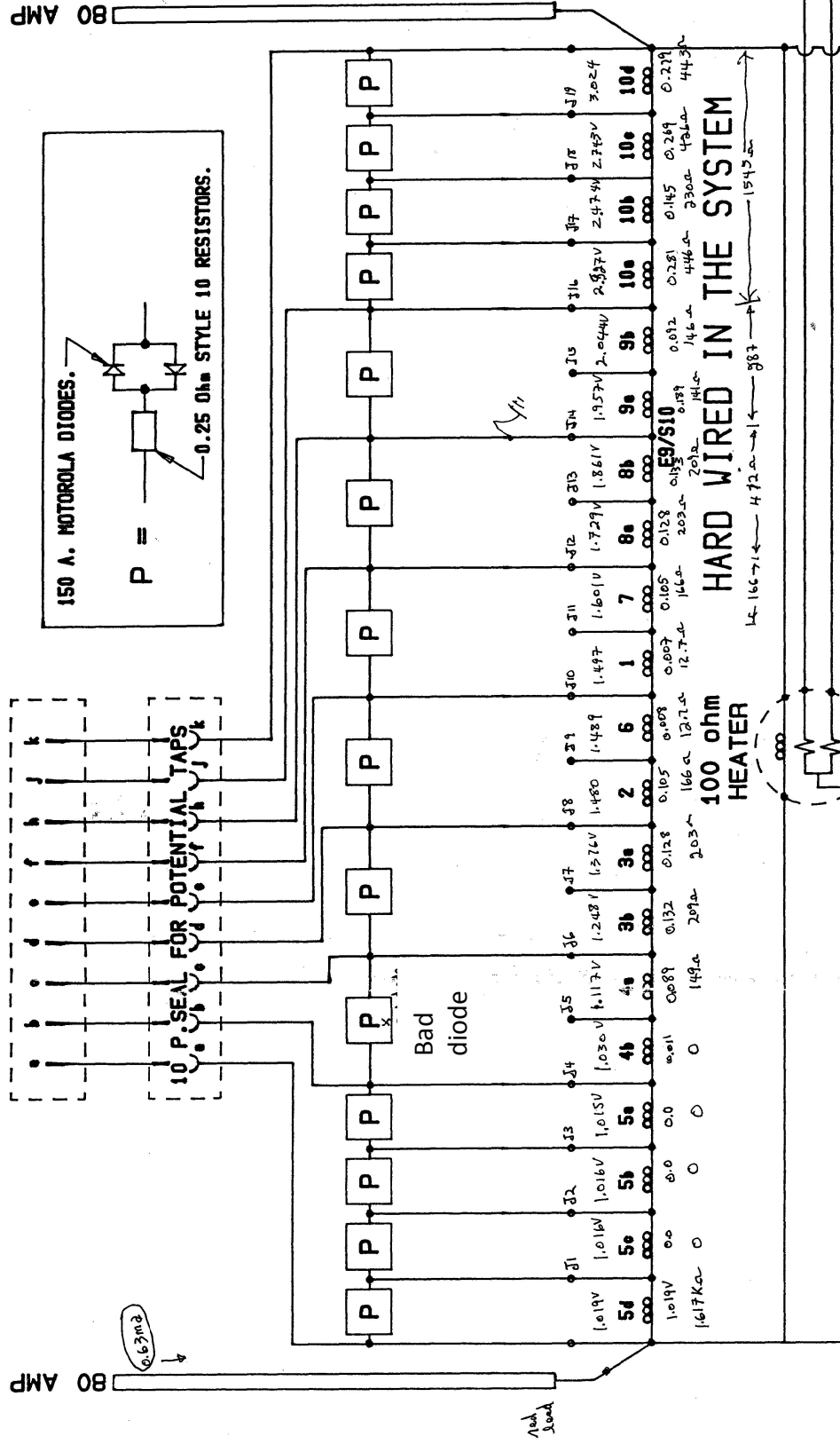
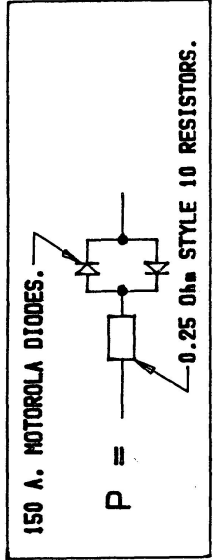
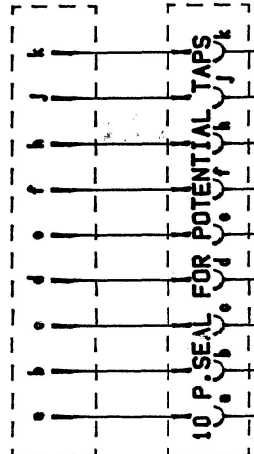
- 63 mA thru magnet
 - net 1.861 V
 - 1 0.848
 - 2 0.848
 - 3 0.848
 - 4 0.848
 - 5 0.838
 - 6 0.748
 - 7 0.614
 - 8 0.488
 - 9 0.383
 - 10 0.375
 - 11 0.367
 - 12 0.262
 - 13 0.153
 - 14 0
 - 15 0.089
 - 16 0.182
 - 17 0.443
 - 18 0.610
 - 19 0.879
 - BK 1.157
- all measurements with respect to ground
BK Read

5

4

3

10 PIN SEAL 'D' ON SYSTEM



HARD WIRED IN THE SYSTEM

100 ohm HEATER

154.5
88.7
47.2
166.7

80 AMP

100 ohm