

8

7

6

5

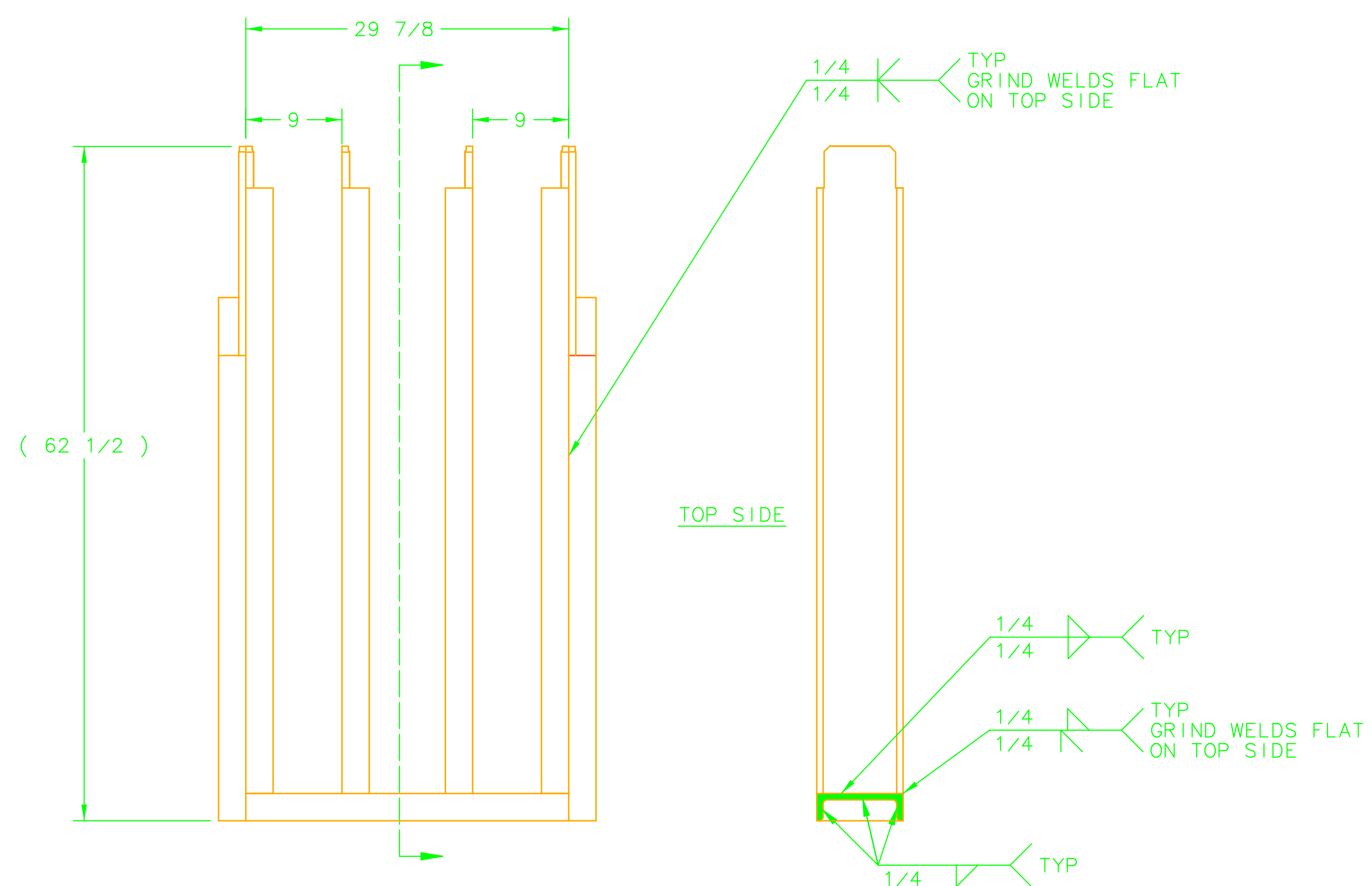
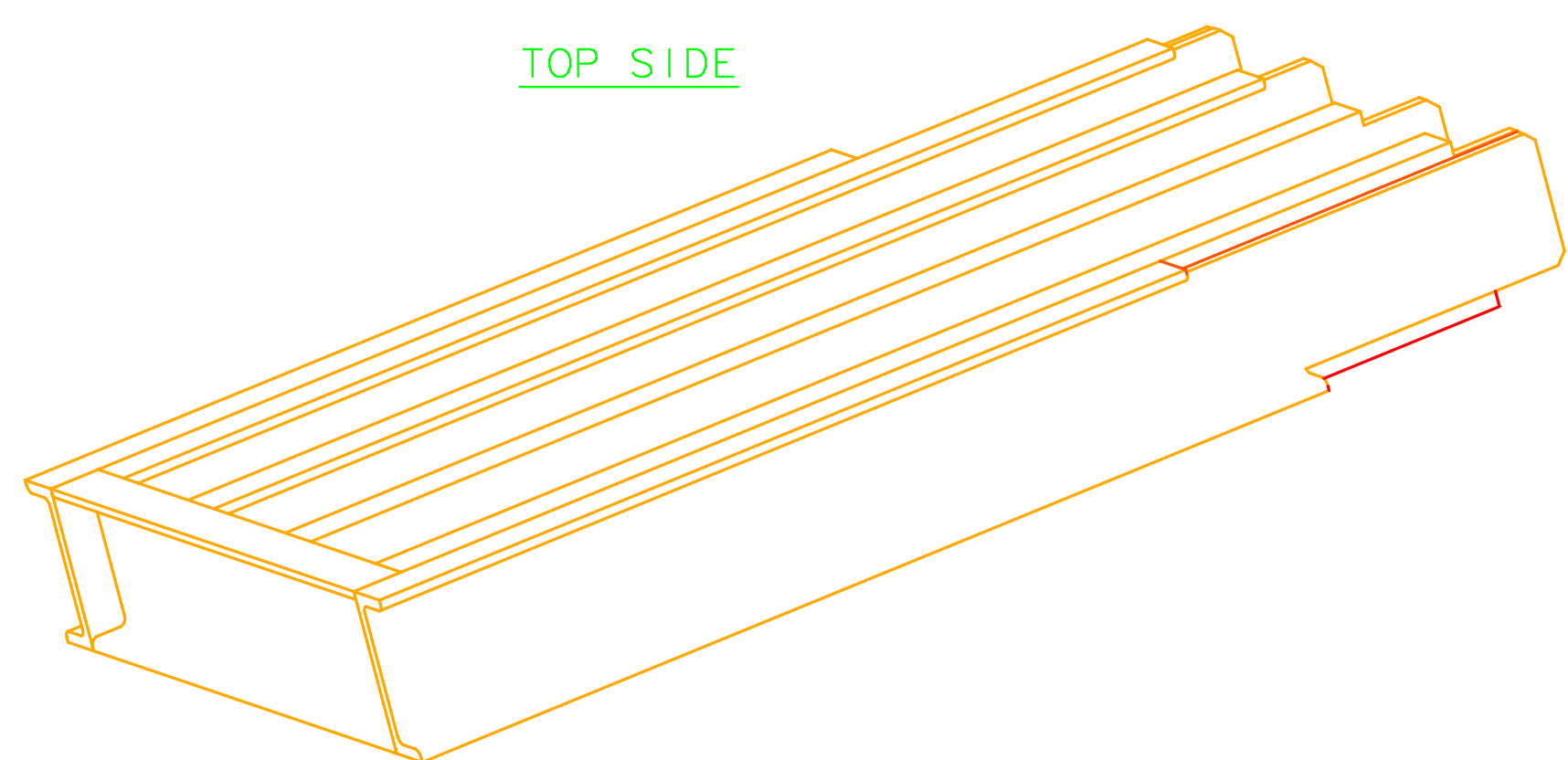
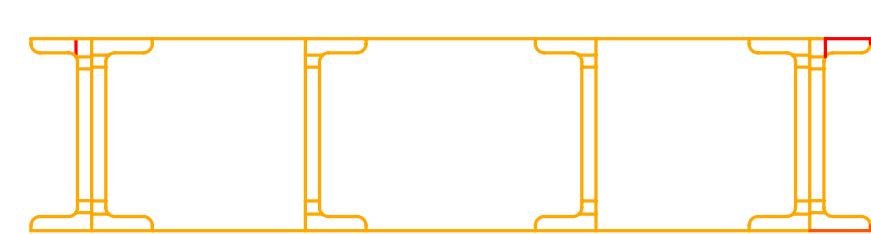
4

3

2

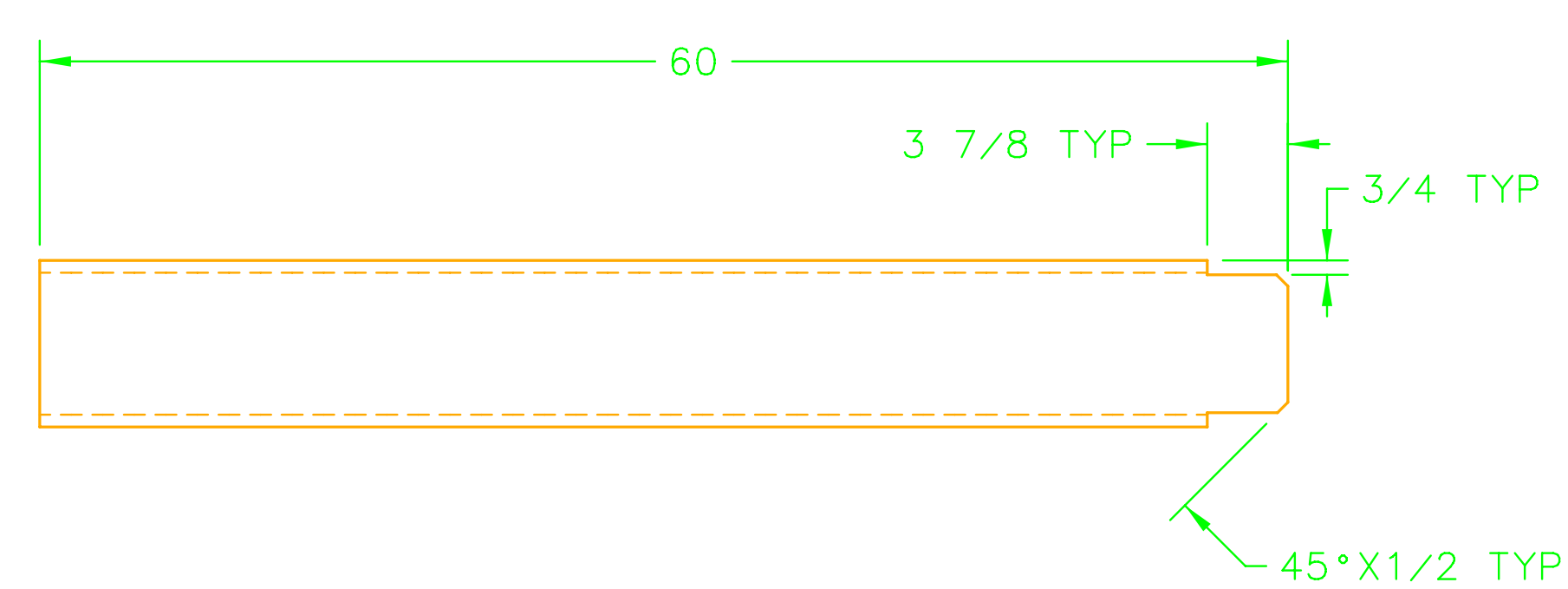
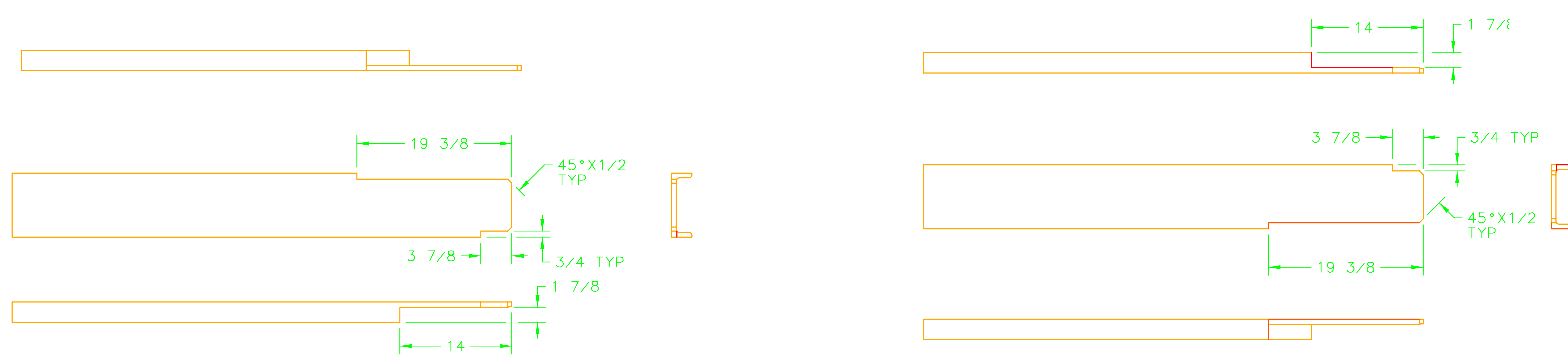
1

TOP SIDE

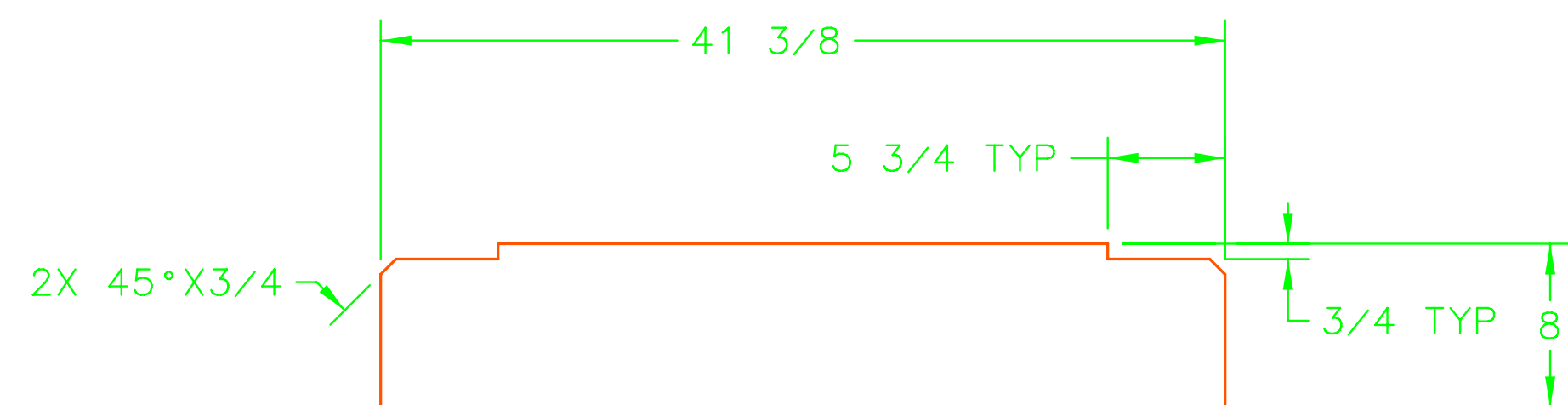


TOP SIDE

SS EXTENSION PRE WELDMENT



ITEM 3



ITEM 5