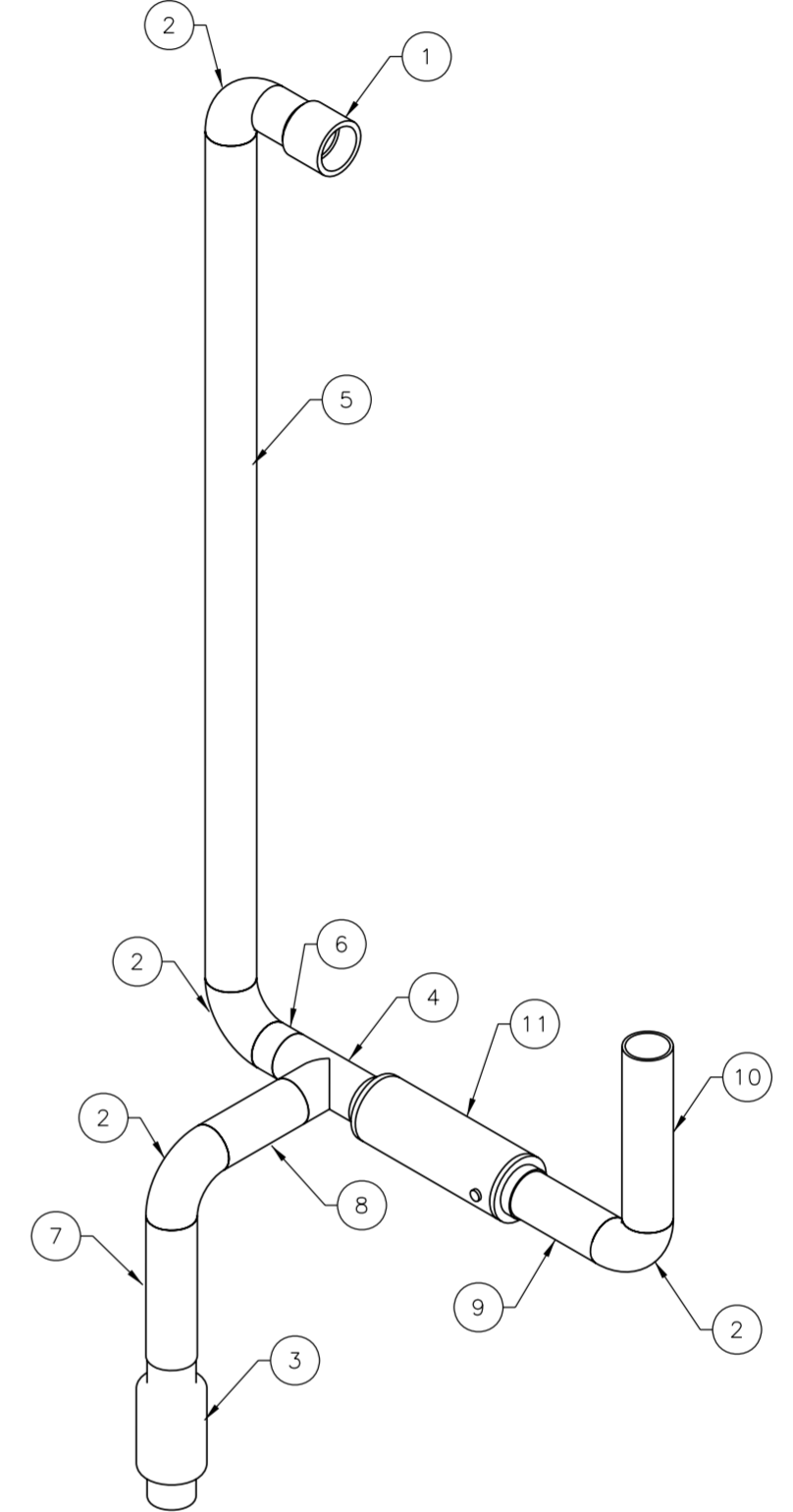
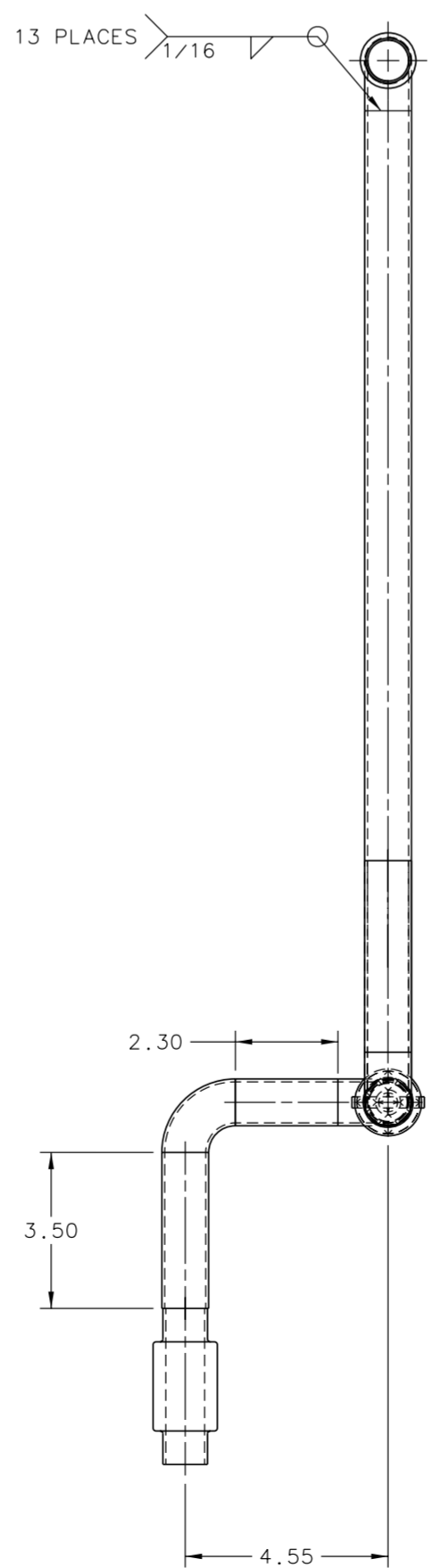
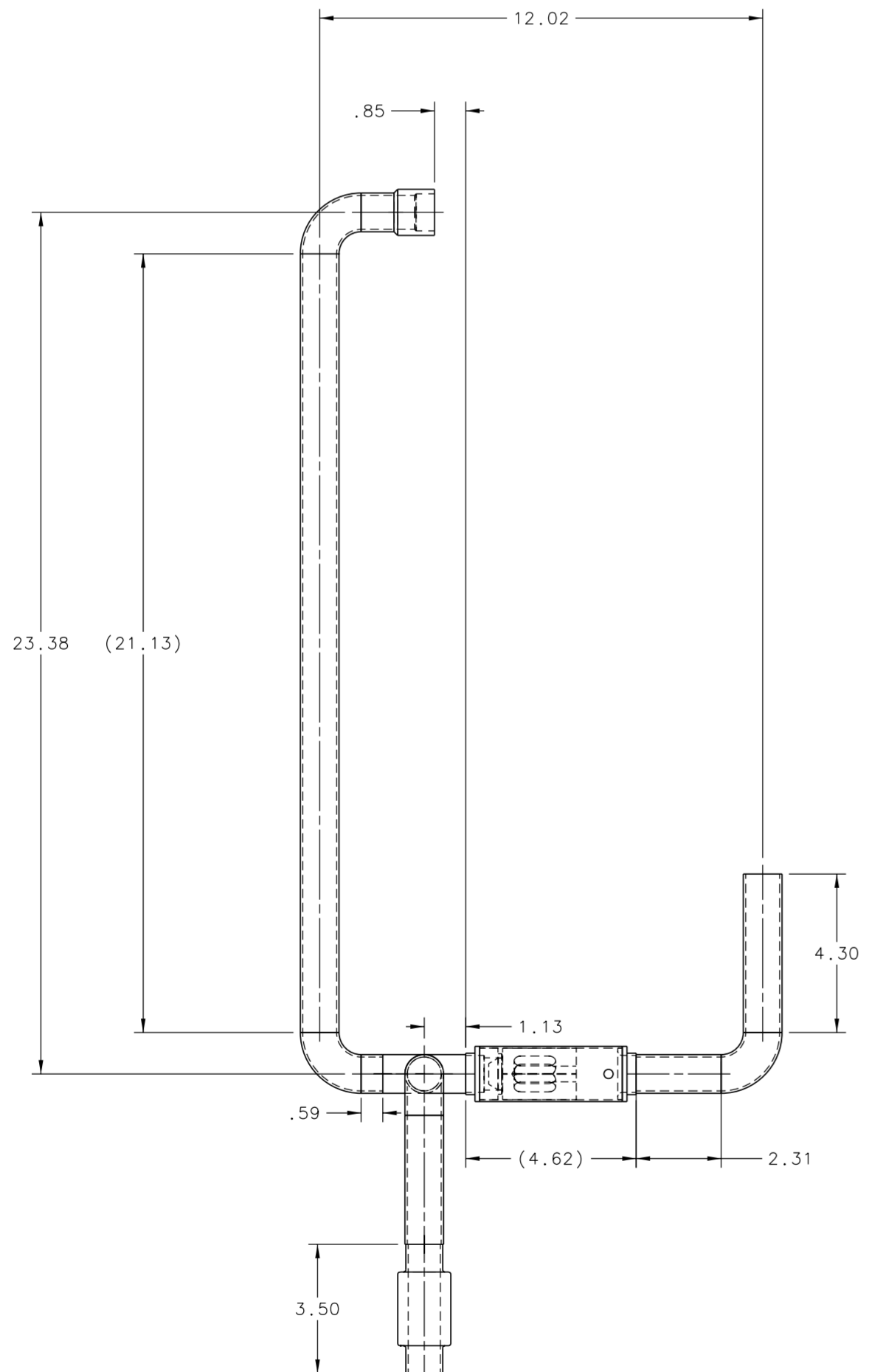
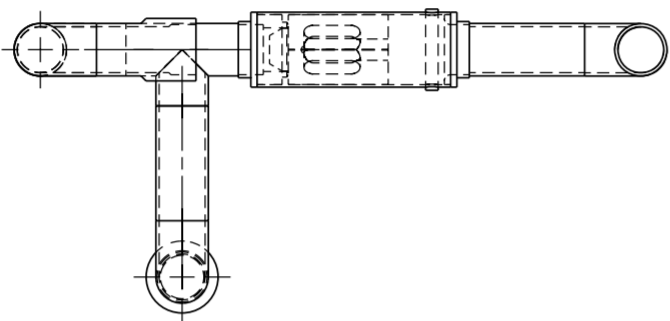


8 7 6 5 4 3 2 1

| REVISION HISTORY | | | | |
|------------------|-----|-------------|------|----------|
| ZONE | REV | DESCRIPTION | DATE | APPROVED |
| | | | | |



| QTY | ITEM NO. | PART OR IDENTIFYING NO. | DESCRIPTION | MATERIAL | NOTES |
|-----|----------|-------------------------|---------------------------------|----------|-------|
| 1 | 11 | 75600-C-0305 | 1" CRYO CHECK VALVE | 304 SS | - |
| 1 | 10 | - | PIPE LG= 4.300 | SS | - |
| 1 | 9 | - | PIPE LG= 2.308 | SS | - |
| 1 | 8 | - | PIPE LG= 2.300 | SS | - |
| 1 | 7 | - | PIPE LG= 3.500 | SS | - |
| 1 | 6 | - | PIPE LG= 0.588 | SS | - |
| 1 | 5 | - | PIPE LG= 21.130 | SS | - |
| 1 | 4 | - | TEE IPS 3/4 SCHED 5 | SS | - |
| 1 | 3 | MDC-470503 | BELLOWS LG=3.5 | SS | - |
| 4 | 2 | - | 90 DEGREE ELBOW IPS 3/4 SCHED 5 | SS | - |
| 1 | 1 | - | JT VALVE ADAPTER C | SS | - |

UNITED STATES DEPARTMENT OF ENERGY
Jefferson Lab
 Thomas Jefferson National Accelerator Facility
 Newport News, Virginia

SHMS CRYO BOX ASSY
 INTERNAL ASSY'S
 LN2 RESERVOIR
 LN2 PIPING ASSY 3

SIZE DWG. NO. **E** 67145-00210
 SCALE - 100% (AS SHOWN) SHEET 1 OF 1

APPROVALS: DRAWN, CHECKED, APPROVED

TRACKING NO. N/A

APPROVED: [Signature]

DATE: [Date]

DO NOT SCALE DRAWING

THIRD ANGLE PROJECTION

8 7 6 5 4 3 2 1