

Date: Wed, 08 Nov 2006 16:04:05 -0500  
From: Ravi Anumagalla <ravi@jlab.org>  
To: D. W. Higinbotham <doug@jlab.org>  
Cc: Xiaohui Zhan <zhanxh@jlab.org>, Peter Monaghan <peter@jlab.org>  
Subject: Re: BigBite Drawings

Peter,

Attached are drawings for the EE'd detector. Let me know if you have any questions.

Cheers,  
Ravi

D. W. Higinbotham wrote:

> If the drawing are almost finished, please here Ravi print-out a copy  
> so Peter can look them over. He is the expert on how the Kanya goes  
> together and also there maybe discrepcies between the Ravi's model of  
> the present frame and how it actually had to go together.

>  
> Cheers,  
> Douglas

> On Tue, 7 Nov 2006, Xiaohui Zhan wrote:

>> Dear Doug,

>> Ravi has finished the frame design, one thing he wants to make sure of  
>> is the number of wire chambers that will be used, since the price  
>> estimation will be different.

>> The price of product we have to order from KANYA is around \$500, there  
>> are some other parts we need to send out for fabrication in the machine  
>> shop and the price for that maybe around \$1500 for three wire chambers  
>> setting(if we use 2 chambers, that will be cheaper). Ravi may have a  
>> more exact number for that later. So the total price estimation for this  
>> modefication is around \$500+\$1500=\$2000.

>> The list of KANYA product:

>> 1. MA1-5-02-02/1050 (4) 100X100 AL EXTRUSION(price needs to be checked)  
>>  
>> 2. M8 A35-60 (20) T BOLTS \$1.46 ea.  
>>  
>> 3. M8 A35-20 (12) T BOLTS \$.96 ea.  
>>  
>> 4. A 30-40 (4) MOUNTING BRACKET \$9.97 ea.  
>>  
>> 5. A 30-00 (4) MOUNTING BRACKET \$3.92 ea.  
>>  
>> 6. M8 A32-84 ← (12) DOUBLE EXTRUSION NUT \$5.80 ea.  
>>  
>> 7. A20-90 (12) UNIVERSAL CONNECTOR WITH BASE 50 \$3.45 ea.  
>>

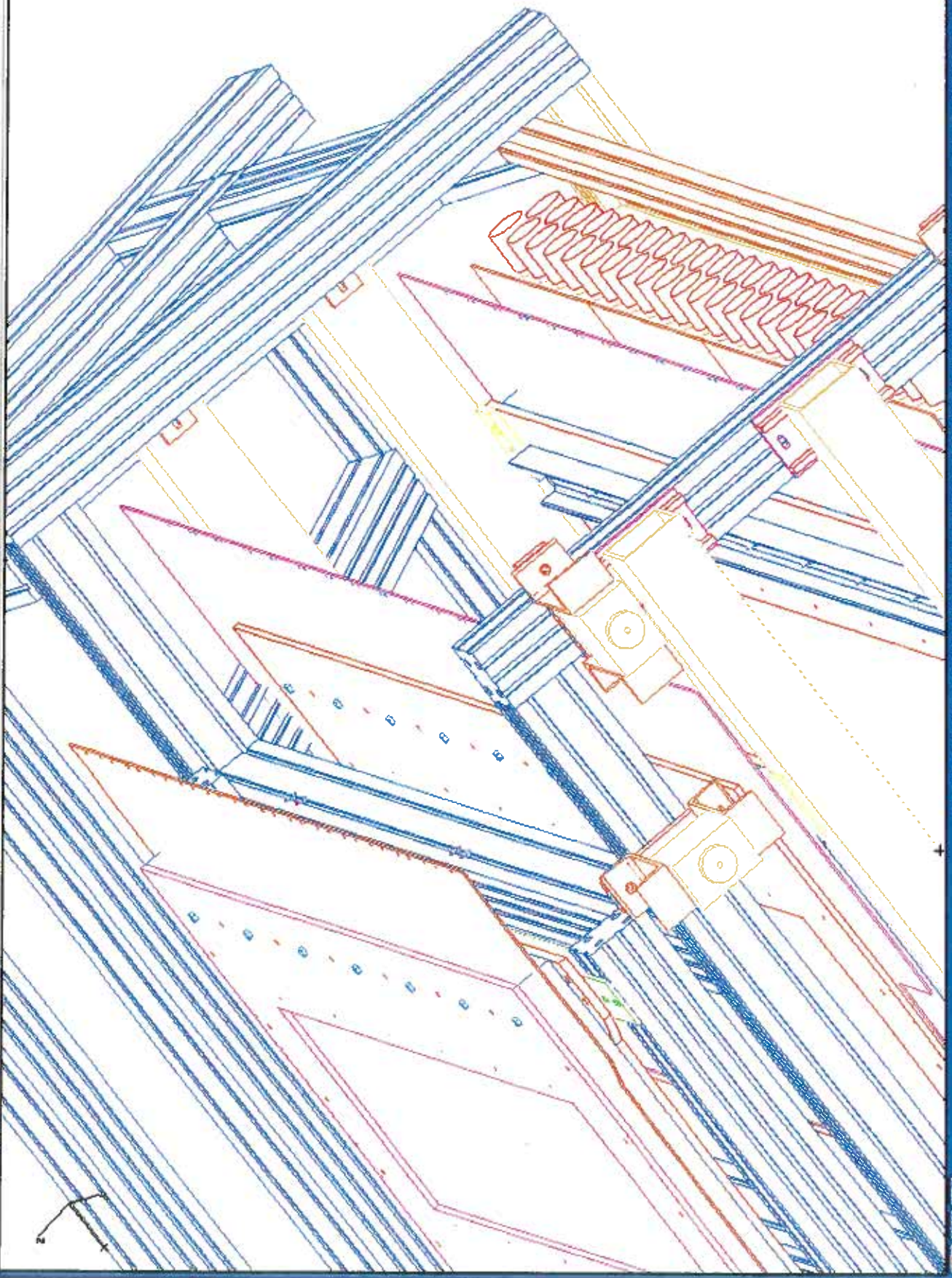
>> Best,  
>> Xiaohui

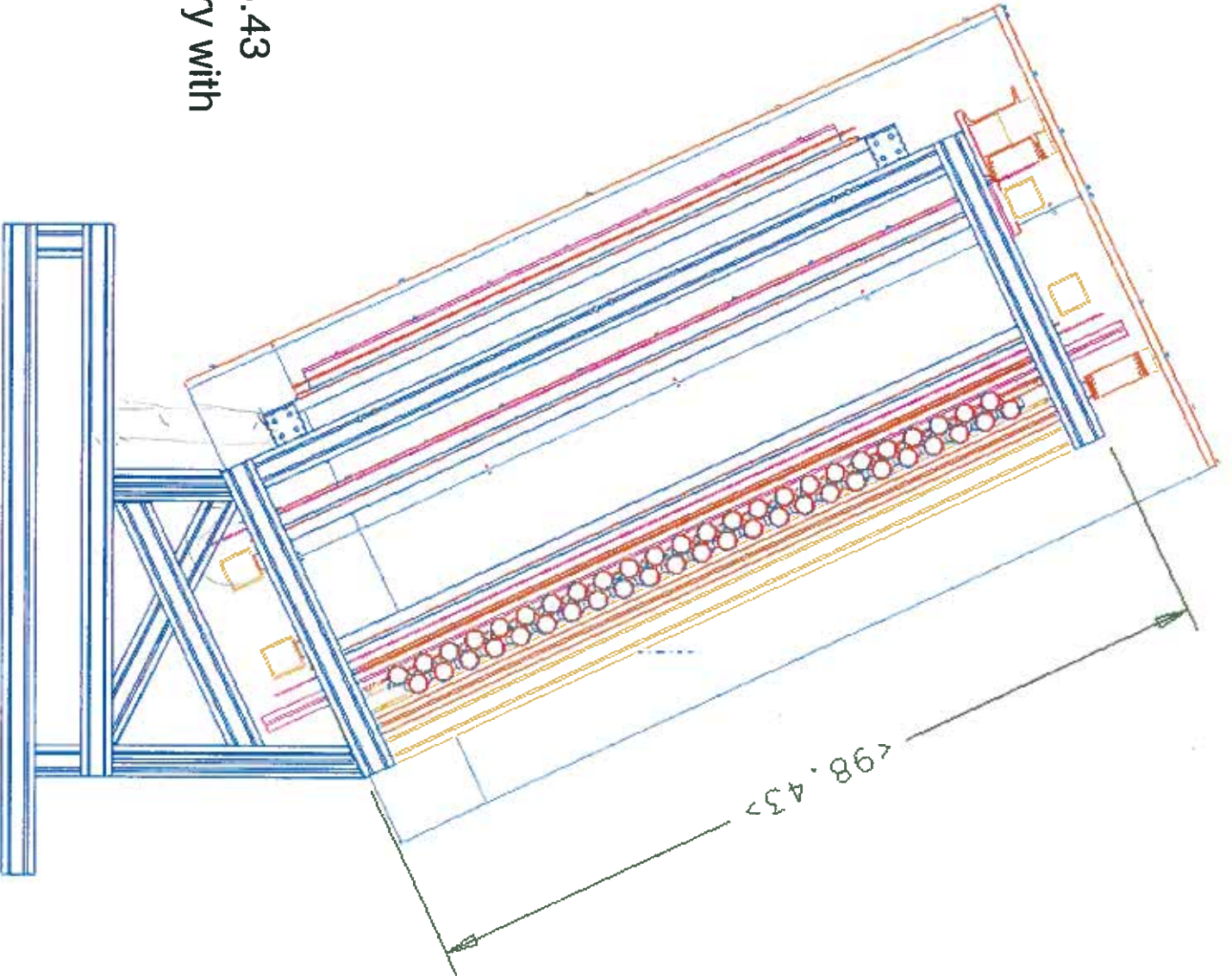
>>  
>>

[ Part 2, Application/VND.MS-POWERPOINT 419KB. ]  
[ Unable to print this part. ]

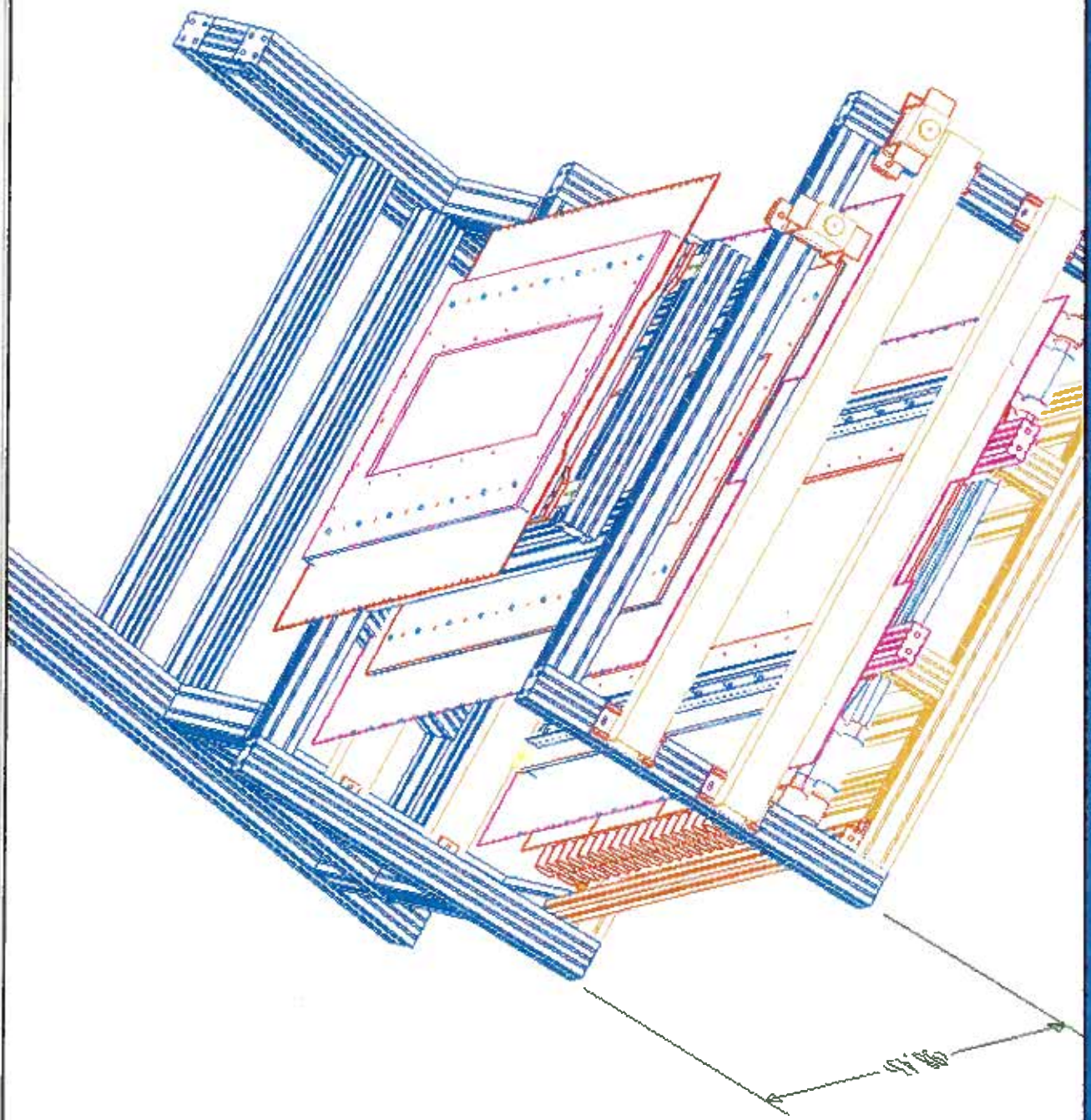
Thu Nov 09 09:41:31 2006 2

[ Part 3, Text/X-VCARD (charset: UTF-8 "Internet-standard Unicode") ]  
[ (Name: "ravi.vcf") 11 lines. ]  
[ Unable to print this part. ]

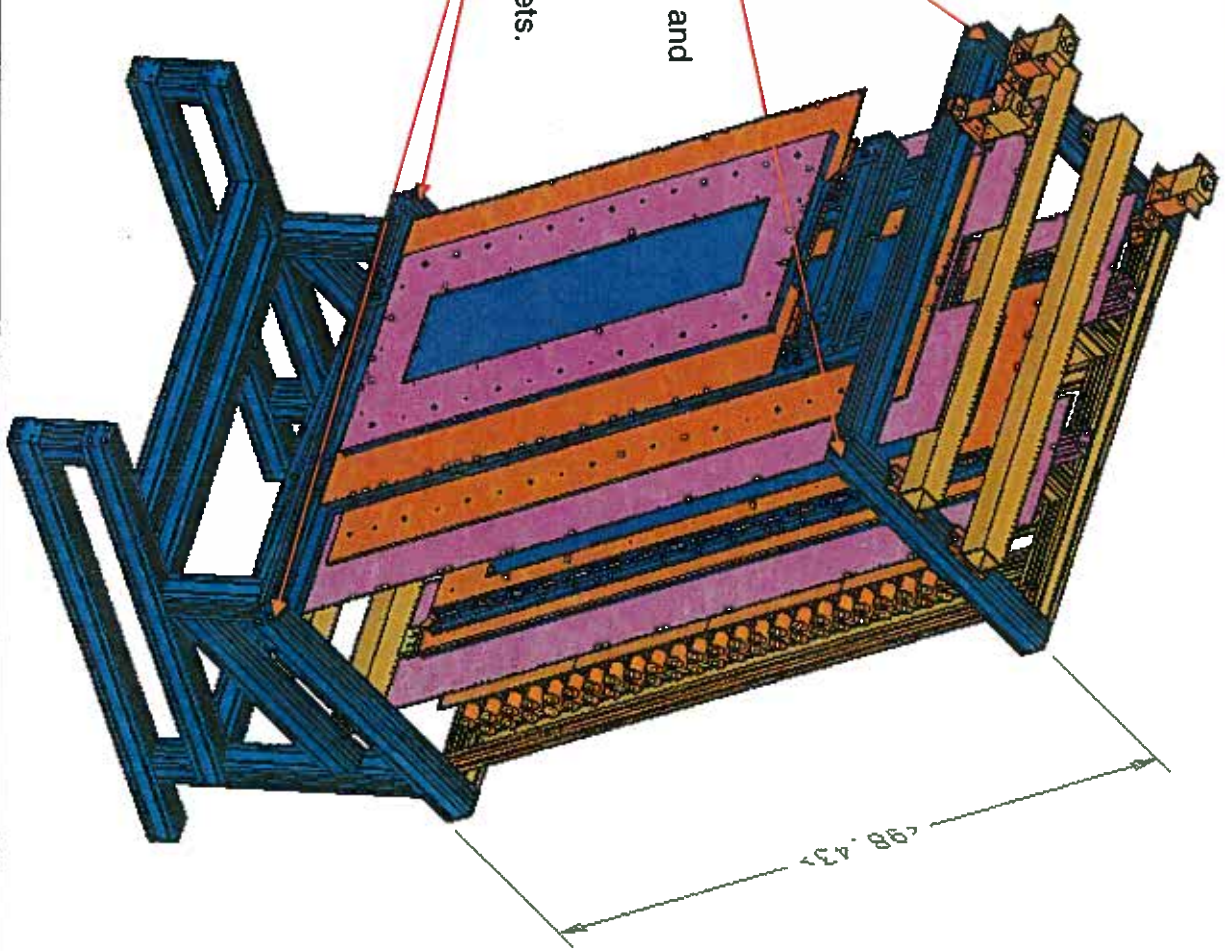


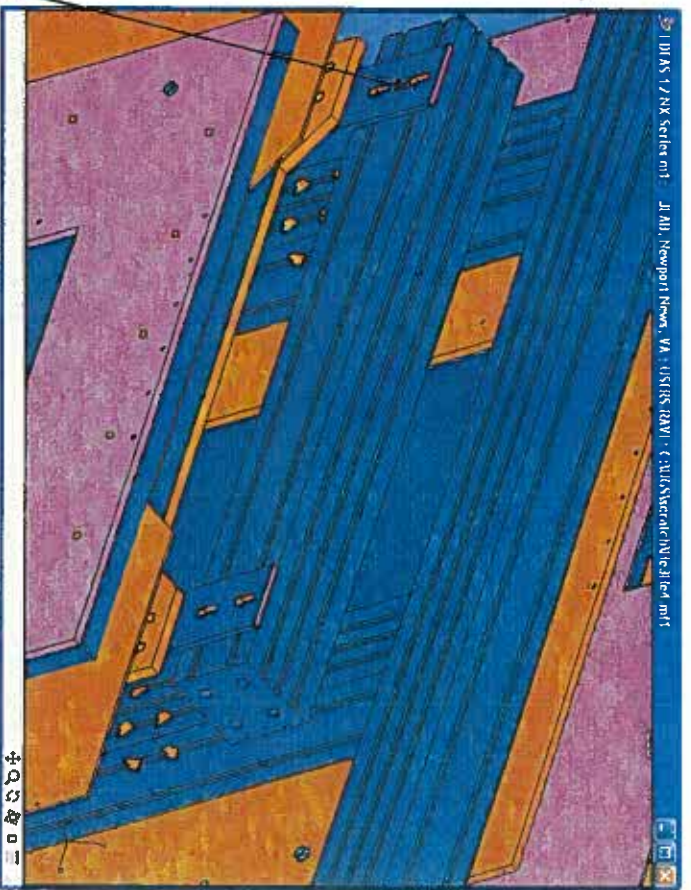
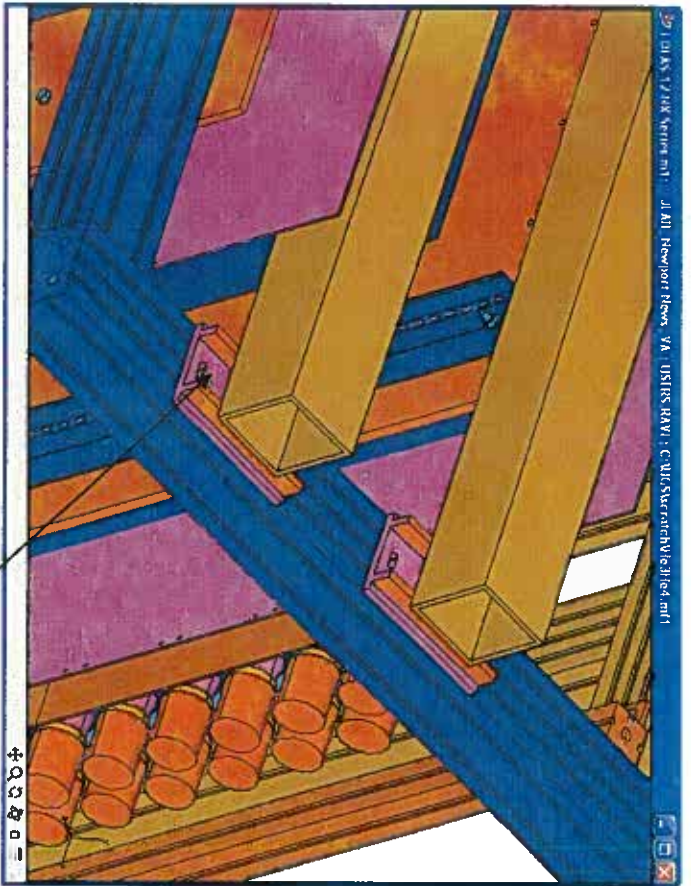


The dimension 98.43 inches doesn't vary with CAD and the real model.

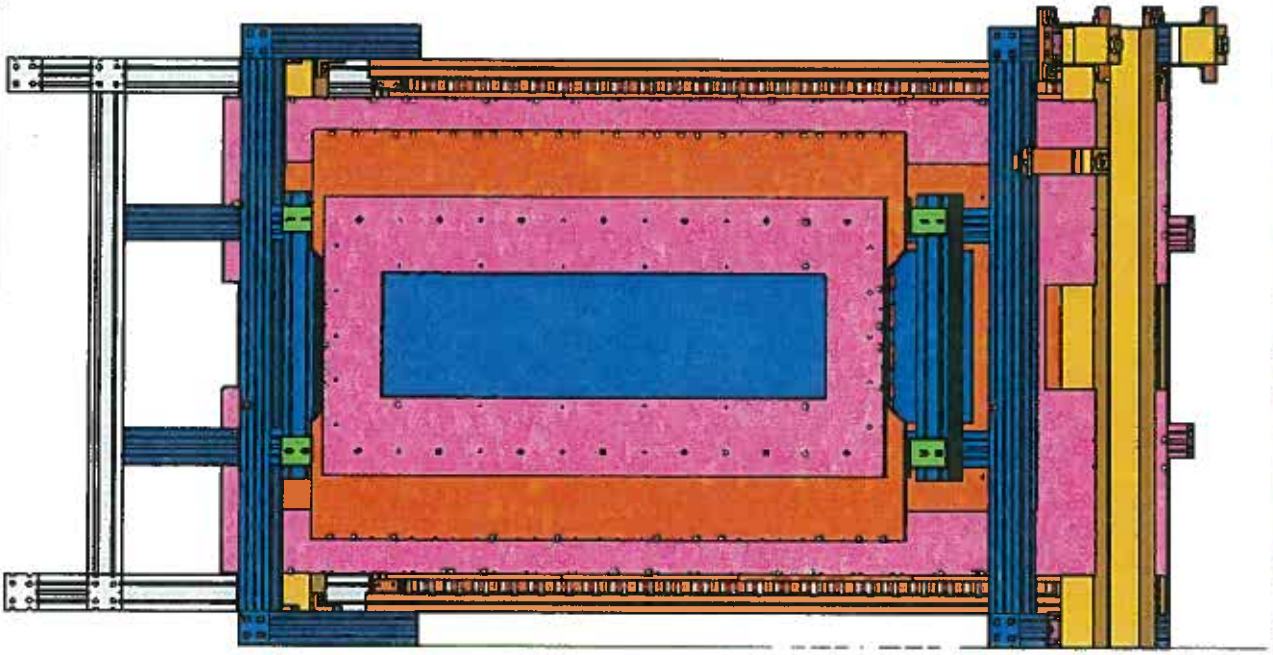


4 beams, two on the top and two at the bottom are attached to the existing support using universal connectors and L brackets.





Connections are made using Kanya T bolts, Mc master nuts and washers.



Top View

