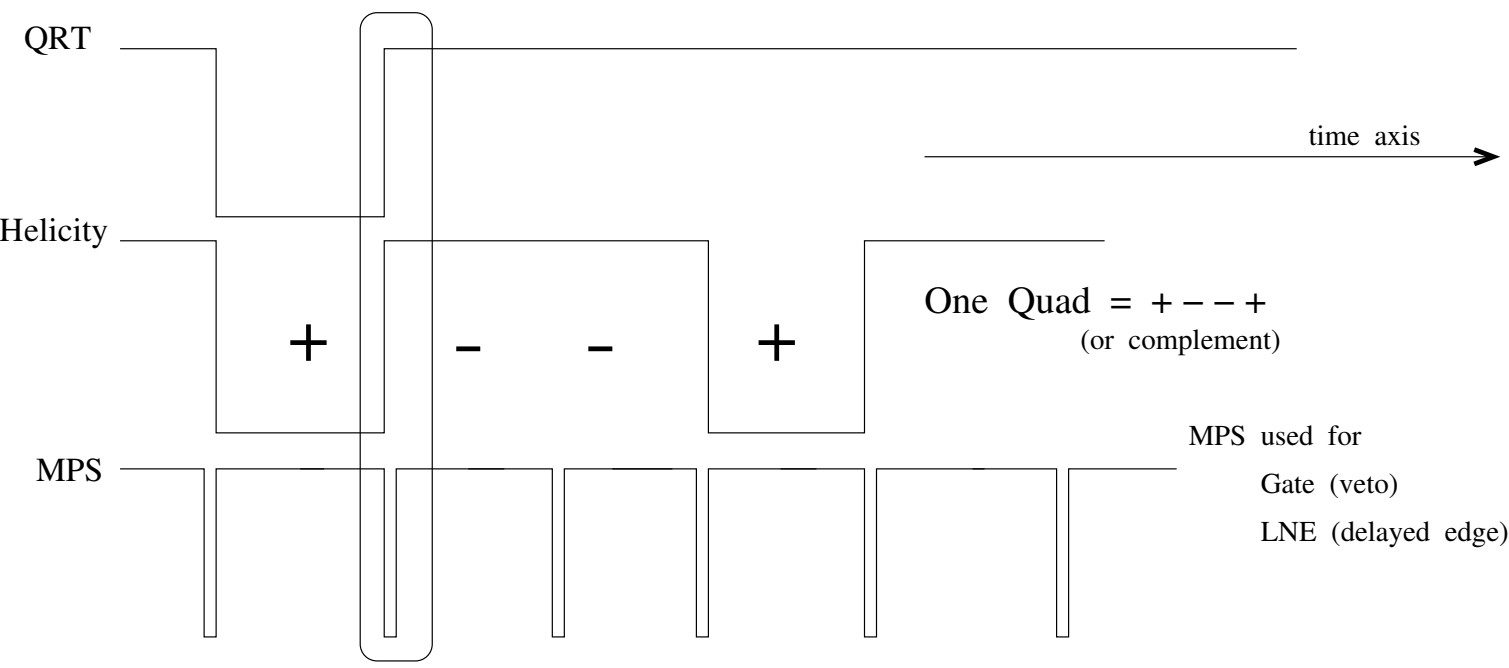
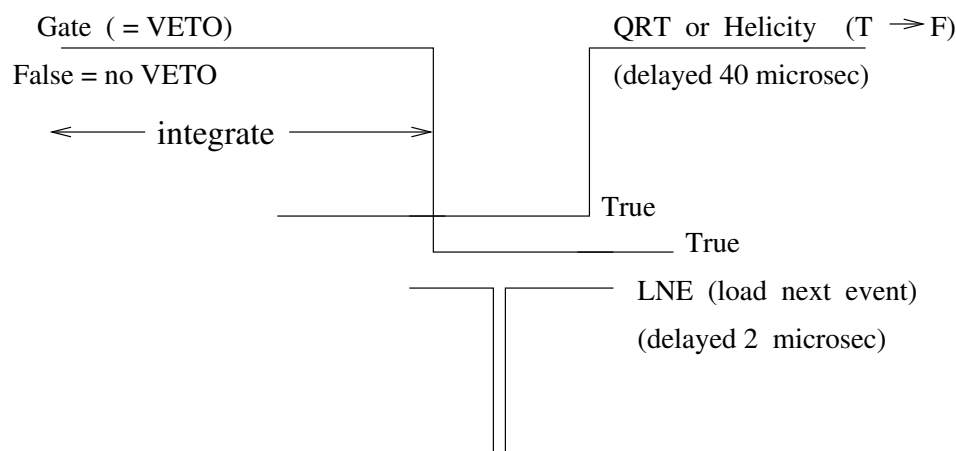


# Helicity Signals for G0 Mode (Oscilloscope View)



ZOOM ↘



QRT, Helicity, Gate treated by  
THaHelicity to produce helicity

LNE loads data into helicity scaler.