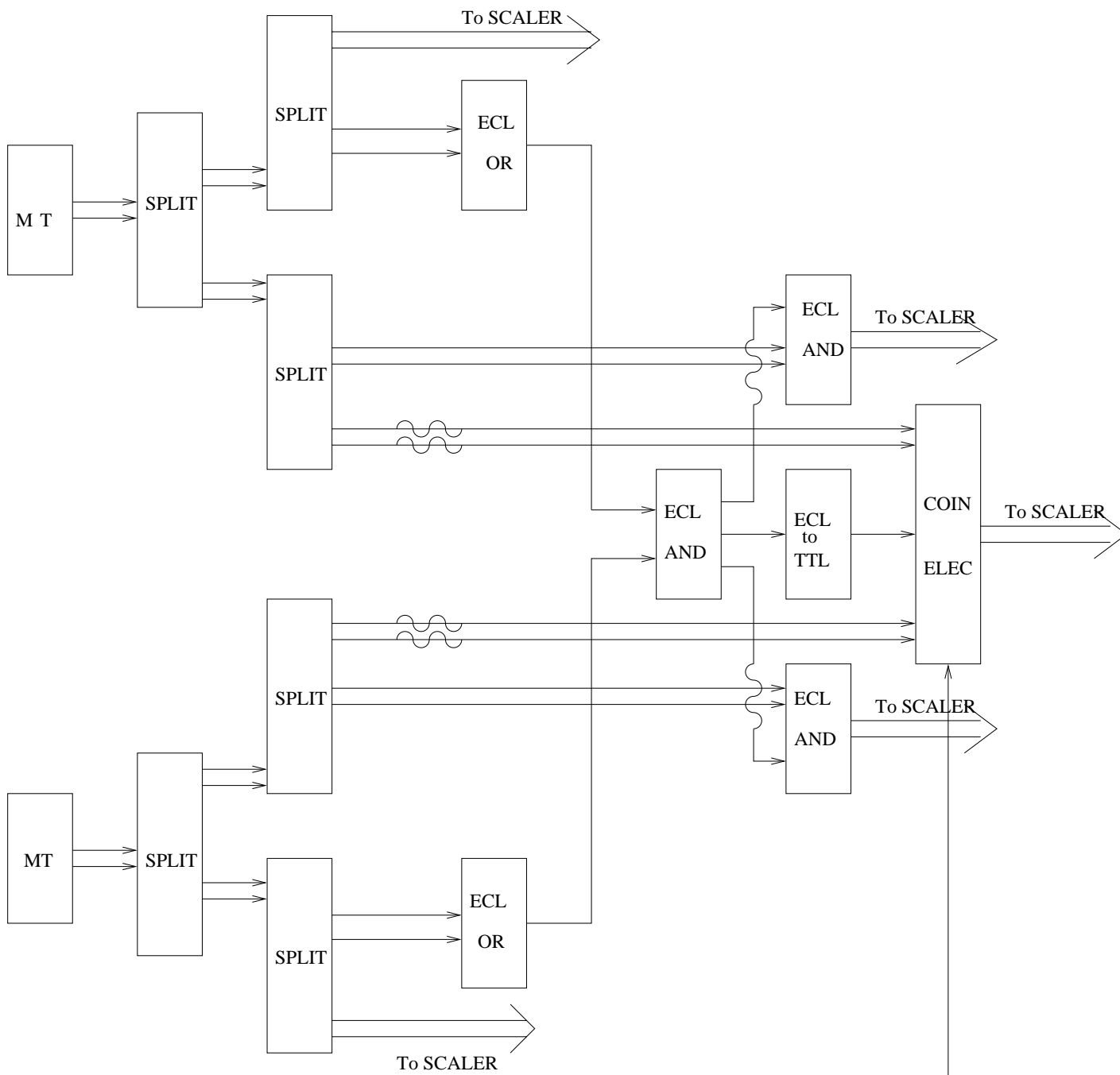


NA CED Electronics Status

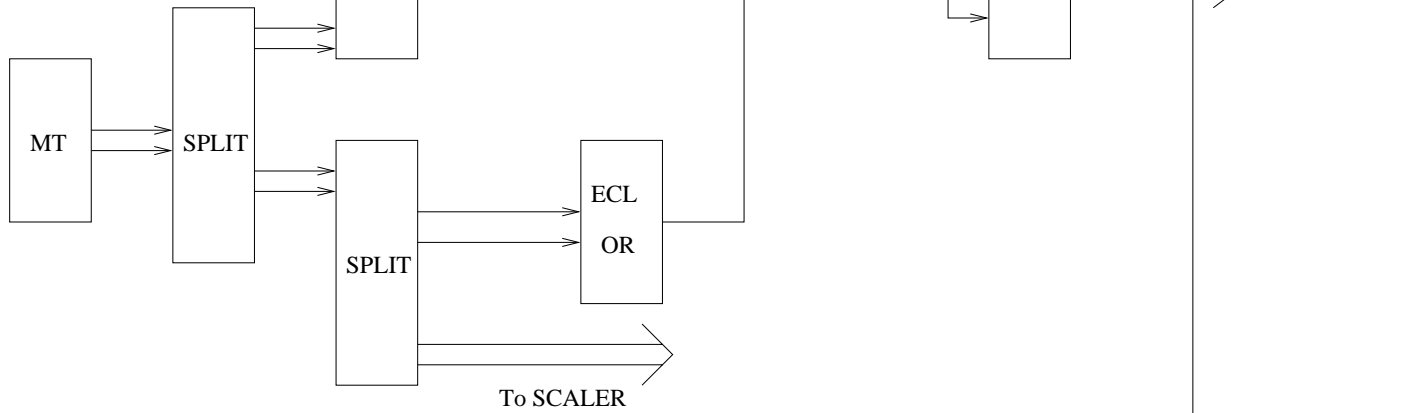
- Working Prototype System
 - BPO trigger
 - All coincidence logic tested
 - All Multiple Hit logic tested
 - Dead Time =0 to 16 MHz
- "Final" DECODER prototype in house
 - Correct polarity
 - All 16 signals reach scaler
 - Missing traces included
- All VME front panels in house

- 499 MHz Running
 - New Modules required
 - * ECL splitters (6/octant)
 - * ECL OR's (2/octant)
 - * ECL AND's (3/octant)
 - * ECL/TTL converters (1/octant)
 - * GDG module (1/octant)

CED



FPD



CER