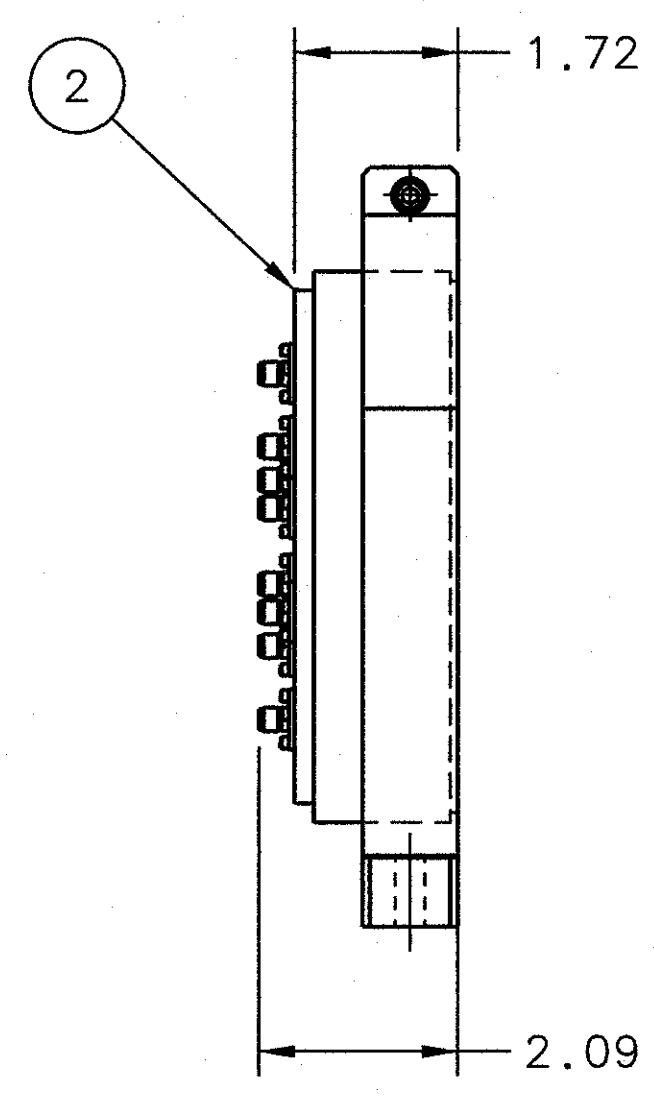
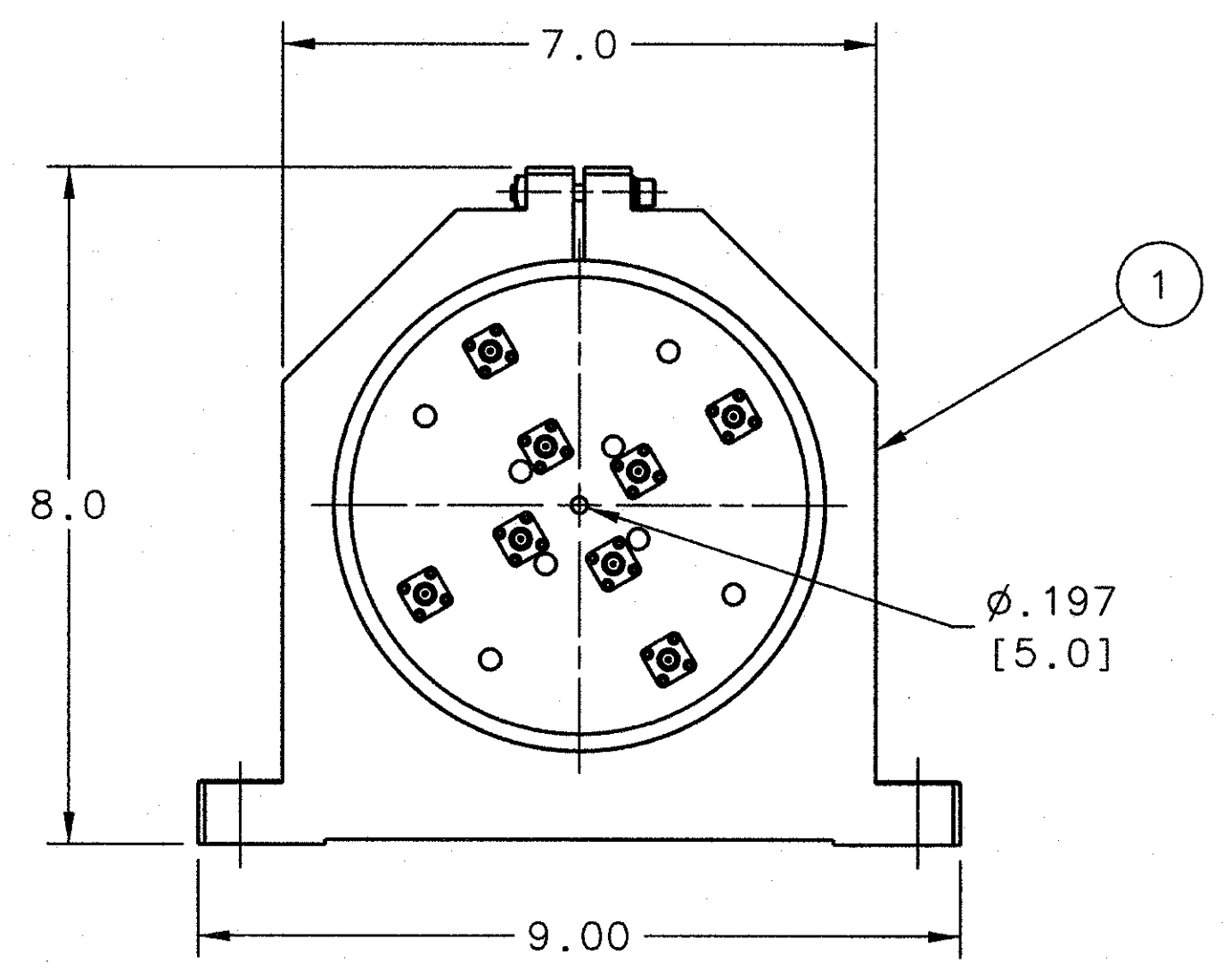
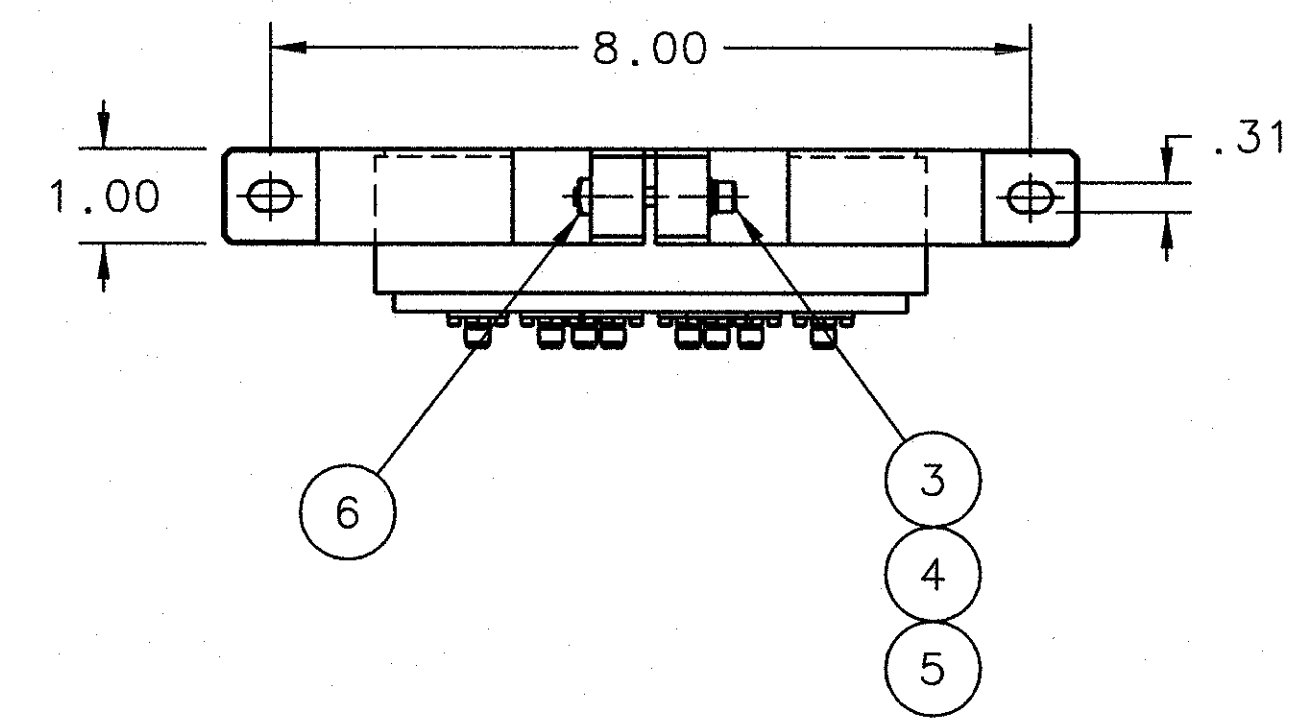
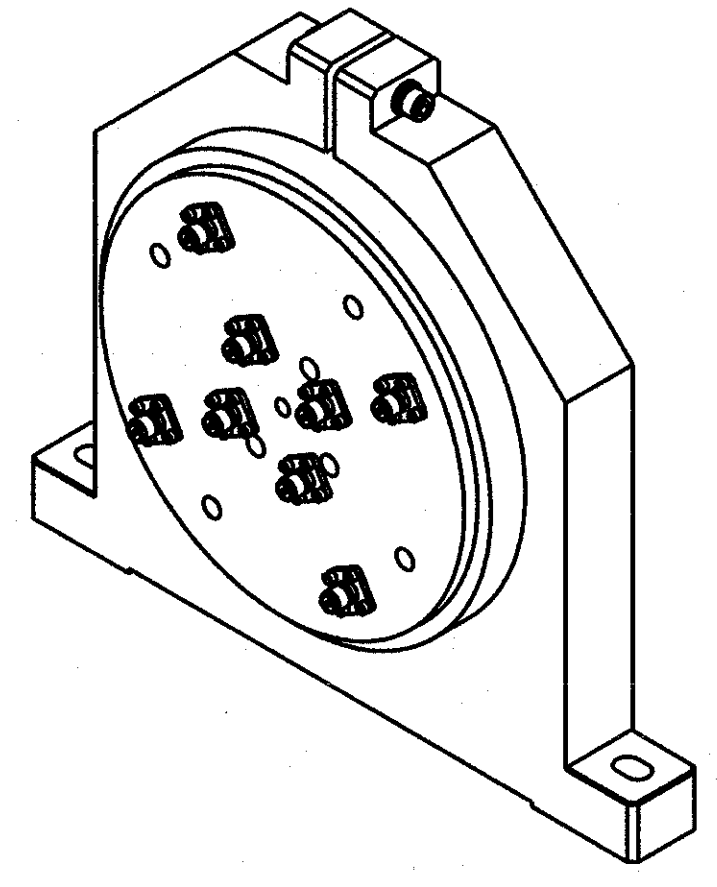


REVISION HISTORY				
ZONE	REV	DESCRIPTION	DATE	APPROVED



NOTES:

1. ALL DIMENSIONS ARE FOR REFERENCE.
2. ITEM 2 SUPPLIED BY UNIVERSITY OF CONNECTICUT, PHONE: (860)486-3512 (Prof. Richard T.Jones).

QTY REQD	ITEM NO.	PART OR IDENTIFYING NO.	NOMENCLATURE OR DESCRIPTION	MATERIAL SPECIFICATION	NOTES
1	6	McMASTER CARR P/N 94784A411	SQUARE NUT #10-32	18-8 SST	
1	5	McMASTER CARR P/N 98437A108	SPRING LOCK WASHER - #10	18-8 SST	
1	4	McMASTER CARR P/N 92217A440	FLAT WASHER - #10	18-8 SST	
1	3	McMASTER CARR P/N 92196A277	SOCKET HD CAP SCREW #10-32 UNF X 1.5 LG	18-8 SST	
1	2		ACTIVE COLLIMATOR ASSY FOR GLUE-X EXPERIMENT		2
1	1	D00000-02-01-2074	ACTIVE COLLIMATOR HOLDER		

DOCUMENT CONTROL STAMP 	DIM & TOL PER ASME Y14.5 UNLESS OTHERWISE SPECIFIED DIMENSIONS ARE IN INCHES TOLERANCES ARE: FRACTIONS DECIMAL ANGLES ± N/A .X ± .1 .XXX ± .005	TRACKING NO. N/A		United States Department of Energy Newport News Virginia
		APPROVALS		
MATERIAL SEE PARTS LIST	THIRD ANGLE PROJECTION	DRAWN R. GETZ	5NOV10	HALL D GLUE-X BEAMLINE COLLIMATOR ALCOVE ACTIVE COLLIMATOR HOLDER ASSY SIZE DWG. NO. D00000-02-01-1018 SCALE 1:1 USED ON ASSY NO. D00000-02-01-0000 SHEET 1 OF 1
FINISH MACHINED SURFACES DEBURR & BREAK ALL SHARP EDGES 125 UNLESS OTHERWISE NOTED		CHECKED <i>R. Getz</i>	03NOV11	
DO NOT SCALE DRAWING		APPROVED <i>M.E. Whith</i>	09NOV11	