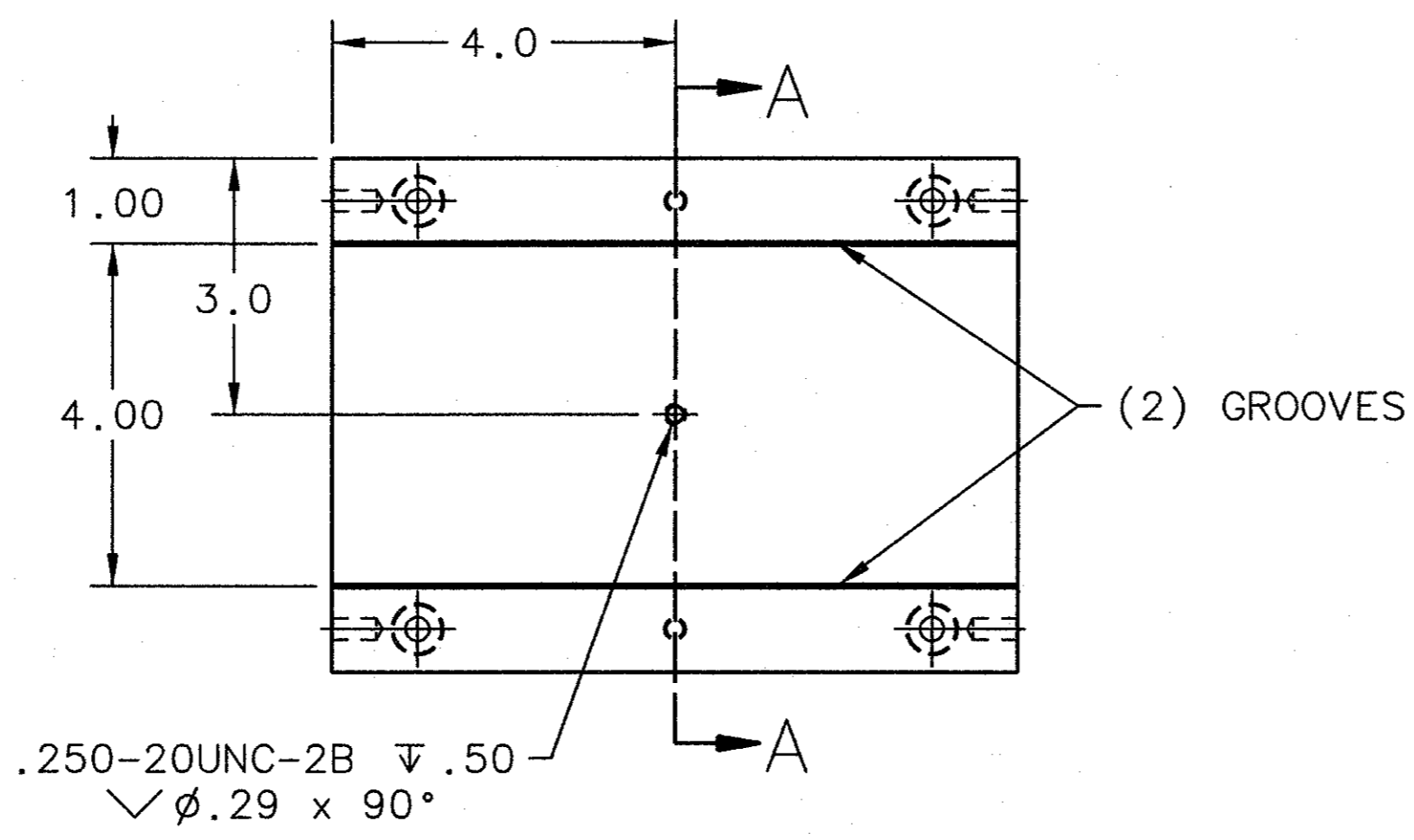
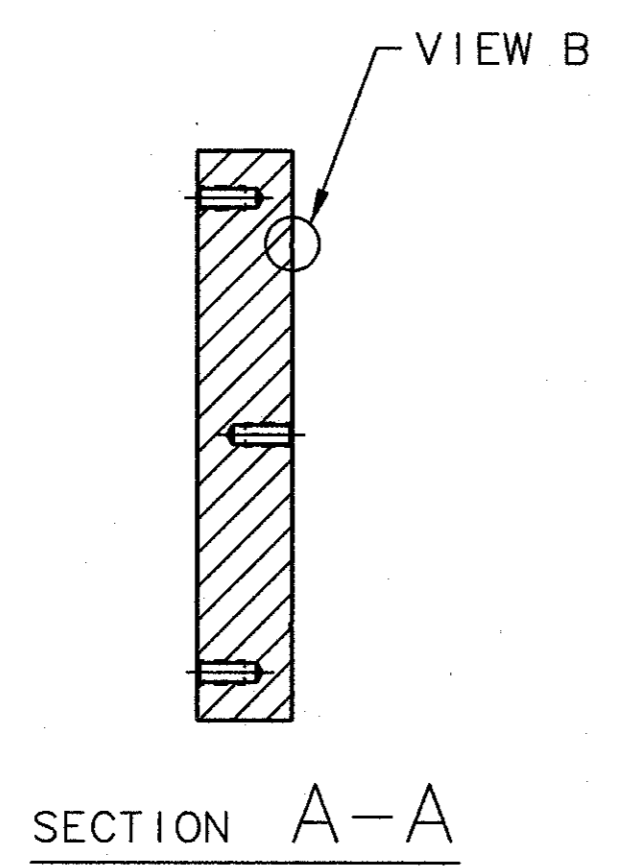
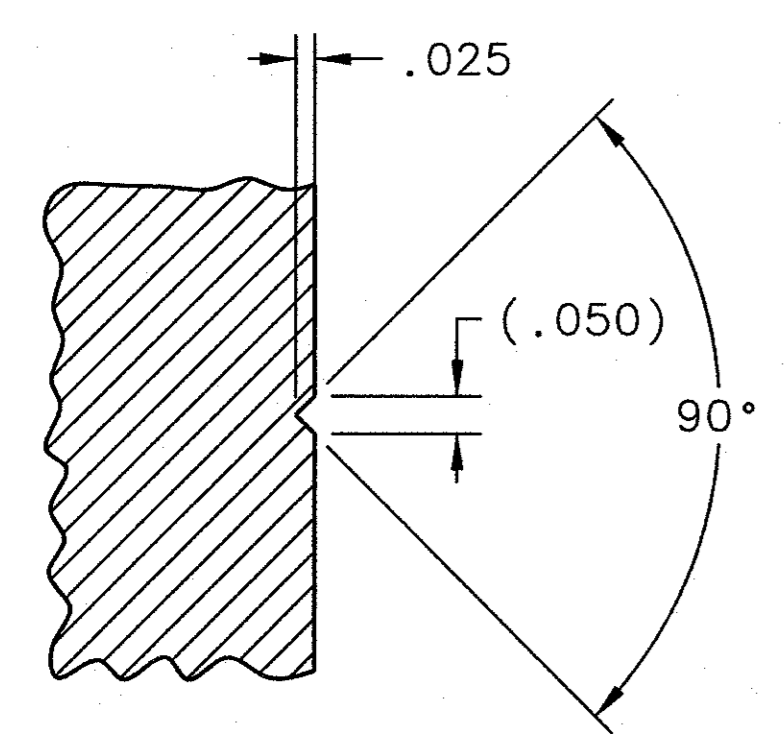
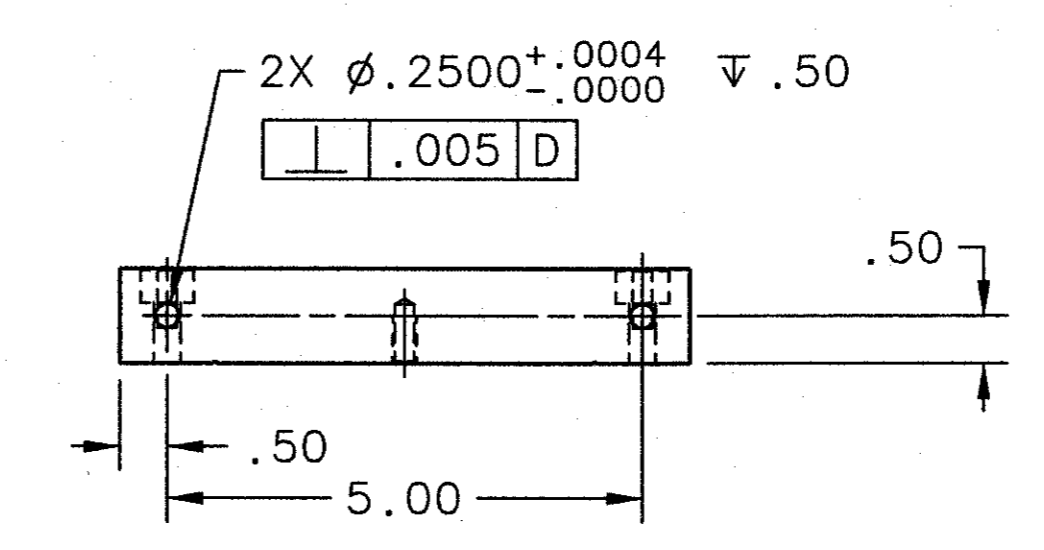
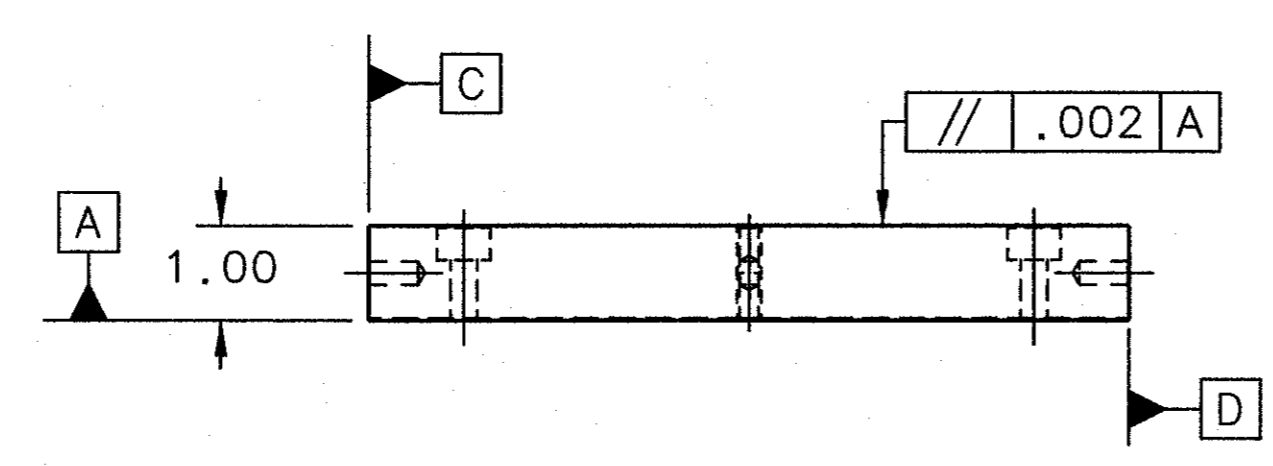
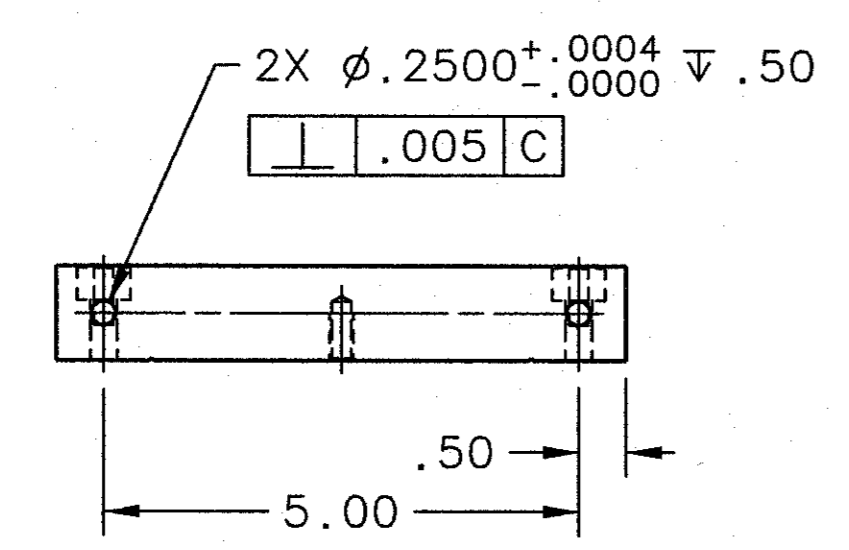
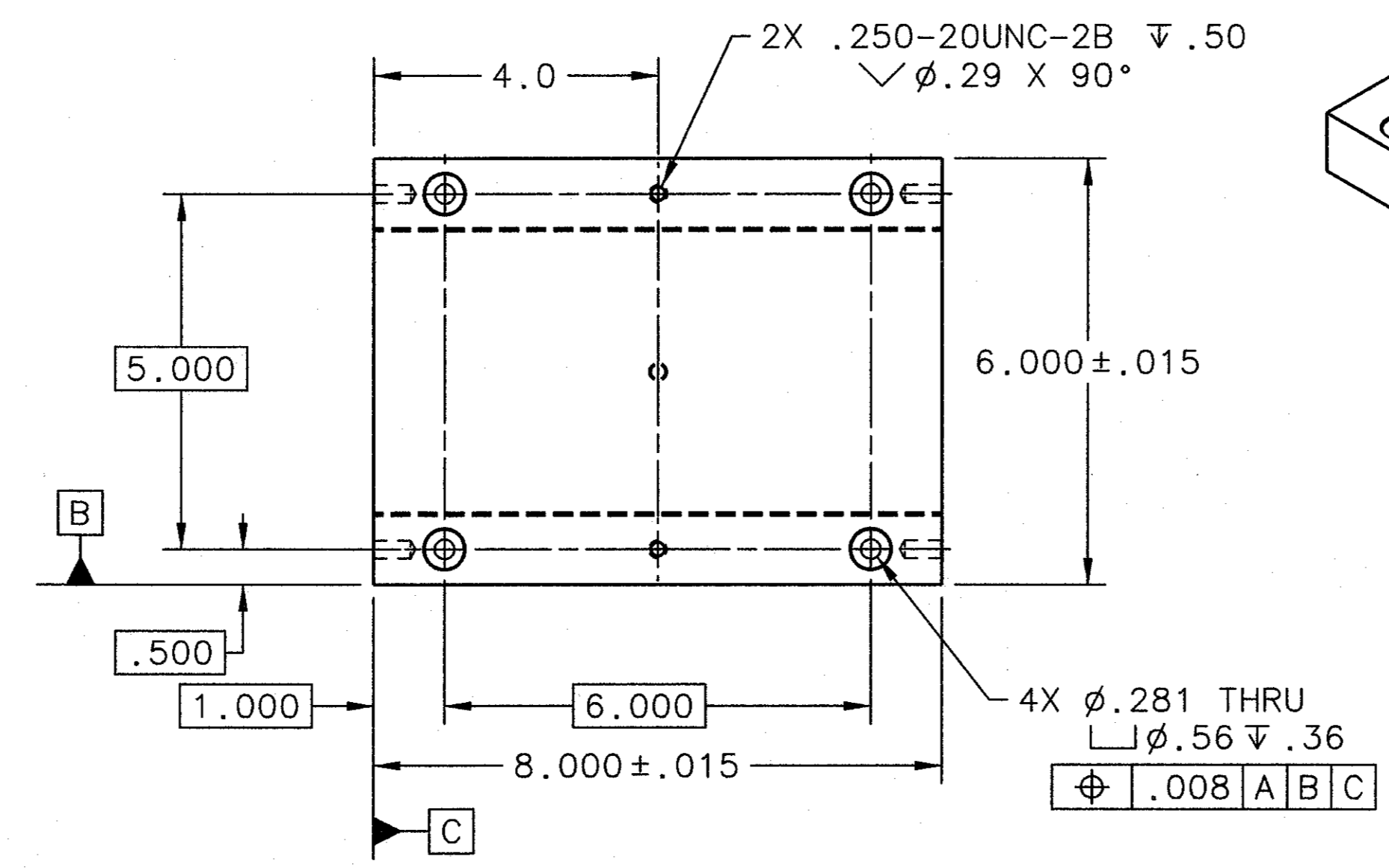
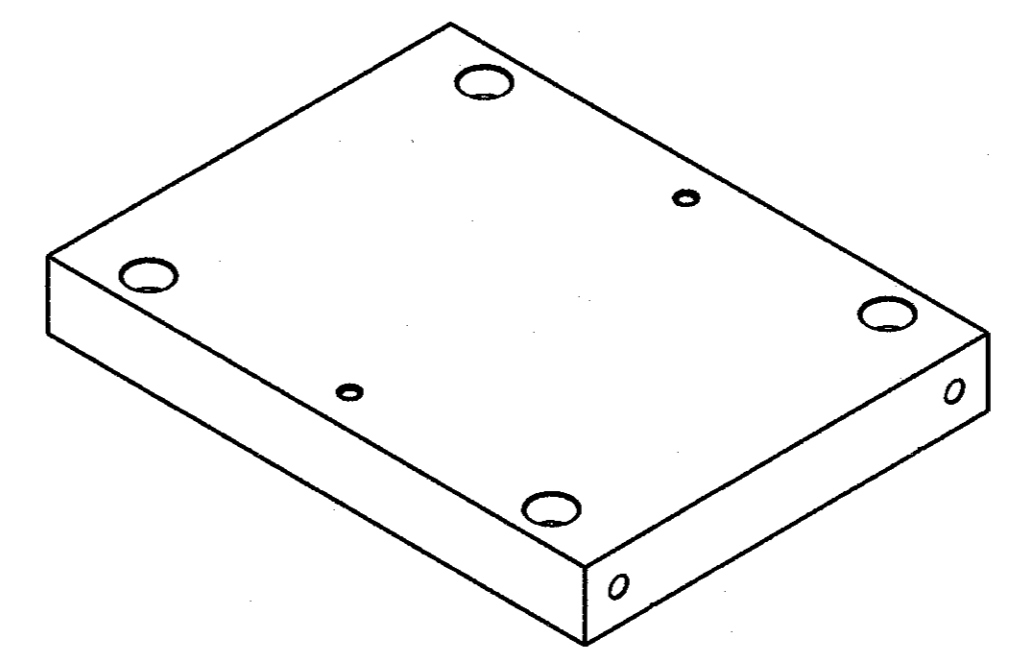


REVISION HISTORY				
ZONE	REV	DESCRIPTION	DATE	APPROVED



NOTES:

- MATERIAL: TUNGSTEN ALLOY HD18 OR TECHNICAL EQUIVALENT. CHEMICAL COMPOSITION: 95% W, 3.5% Ni, 1.55% Cu. DENSITY: 18 g/cc.
- APPROXIMATE WEIGHT IS 14 Kg (31 Lbs).
- SUGGESTED SOURCES OR JLAB APPROVED ALTERNATE:
 - MI-TECH METALS TUNGSTEN INC. www.mi-techmetals.com
 - FEDERAL CARBIDE COMPANY www.federalcarbide.com

VIEW B
SCALE 4:1
2 PLACES

SECTION A-A

DOCUMENT CONTROL STAMP DCG	DIM & TOL PER ASME Y14.5 - UNLESS OTHERWISE SPECIFIED DIMENSIONS ARE IN INCHES. TOLERANCES ARE: FRACTIONS: X ± .1 XX ± .01 XXX ± .005	TRACKING NO. N/A		United States Department of Energy	Jefferson Lab Thomas Jefferson National Accelerator Facility	Newport News Virginia
		APPROVALS		DATE	HALL D - GLUE X BEAMLIN COLLIMATOR ALCOVE 1ST COLLIMATOR TUNGSTEN UPPER PLATE	
MATERIAL: SEE NOTE 1	THIRD ANGLE PROJECTION	DRAWN: R. GETZ	15NOV10	SIZE: D	DWG. NO. D00000-02-01-2009	REV. -
FINISH: 125 UNLESS OTHERWISE NOTED. DEBURR & BREAK ALL SHARP EDGES.	DO NOT SCALE DRAWING	APPROVED: [Signature]	03NOV11	SCALE: 1:2	USED ON ASSY NO. D00000-02-01-1017	SHEET 1 OF 1