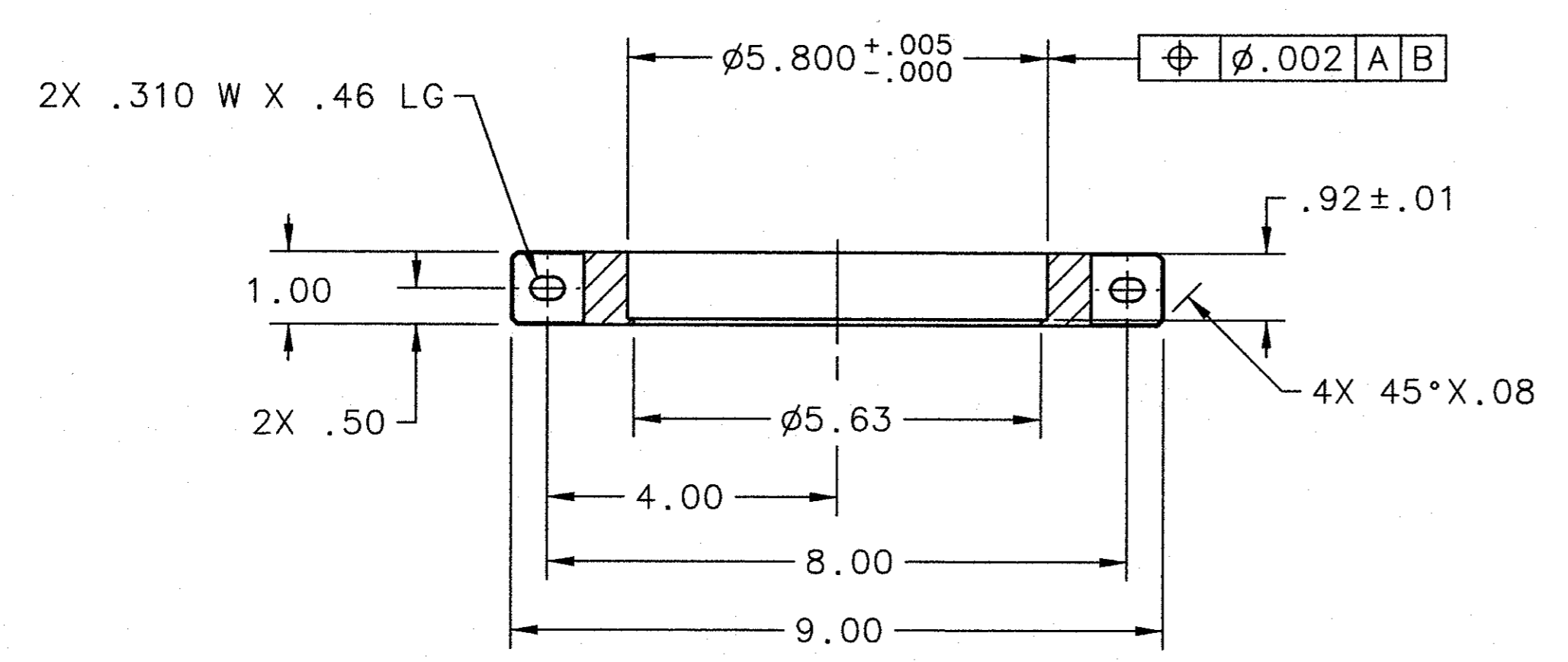
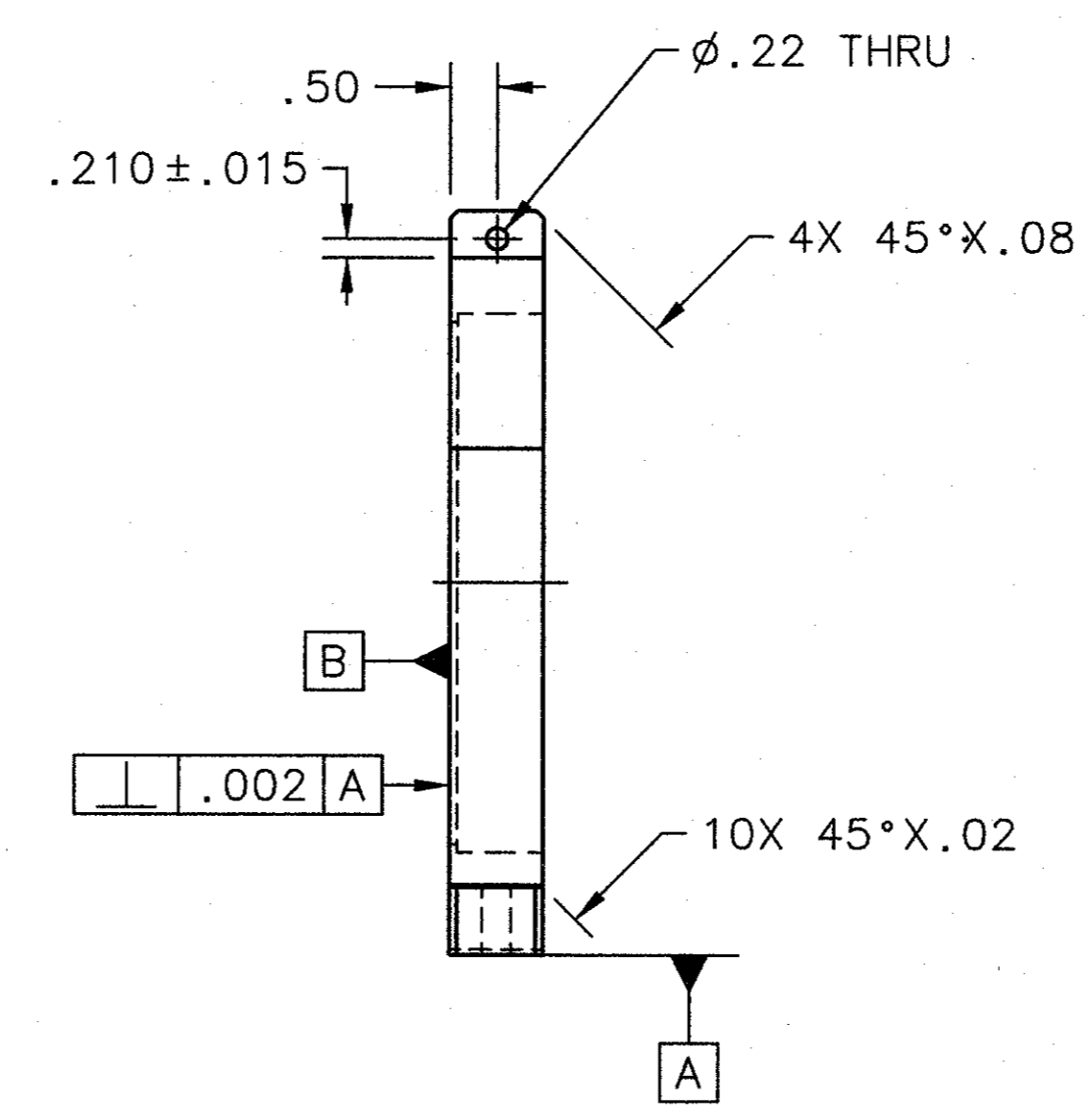
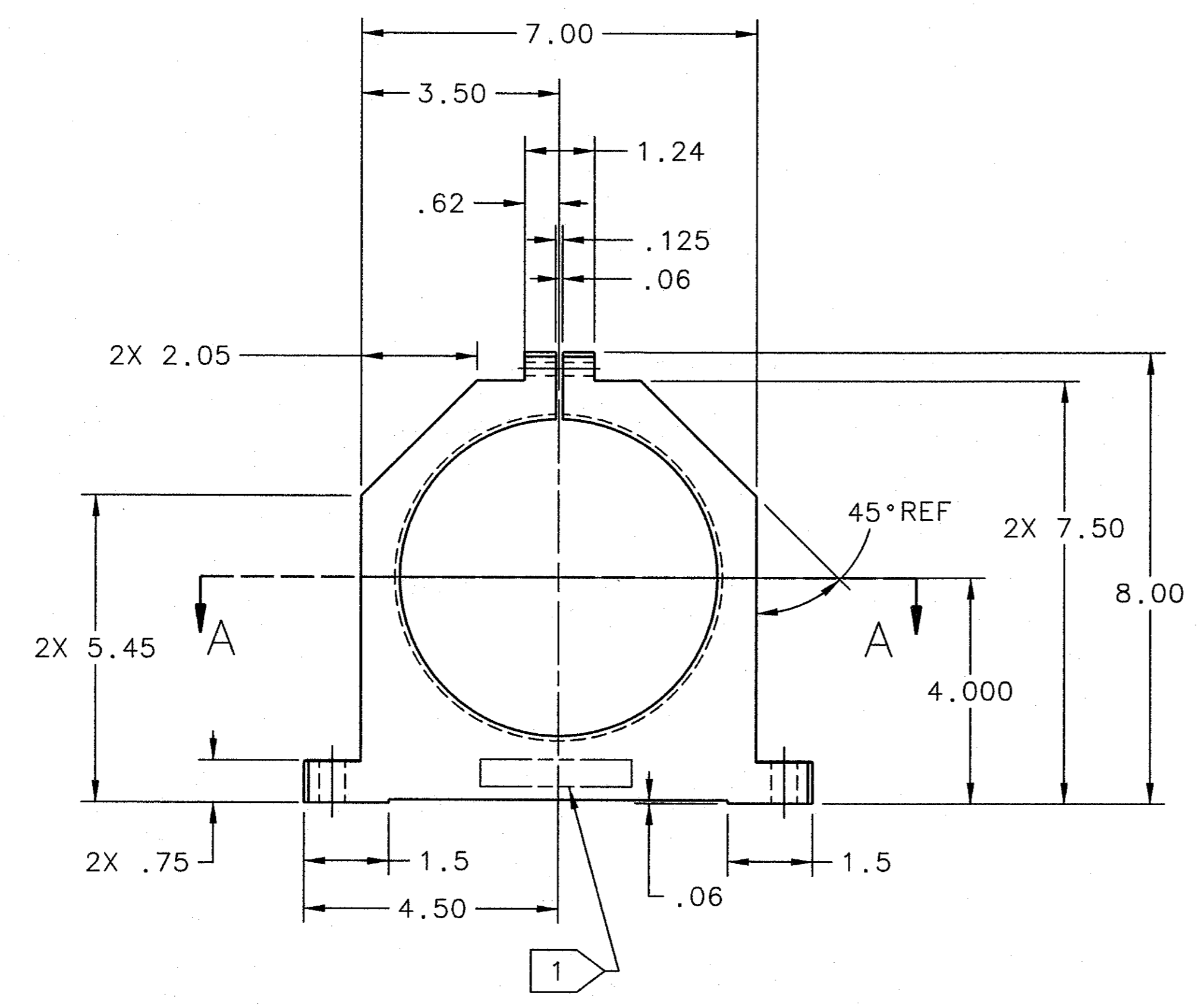
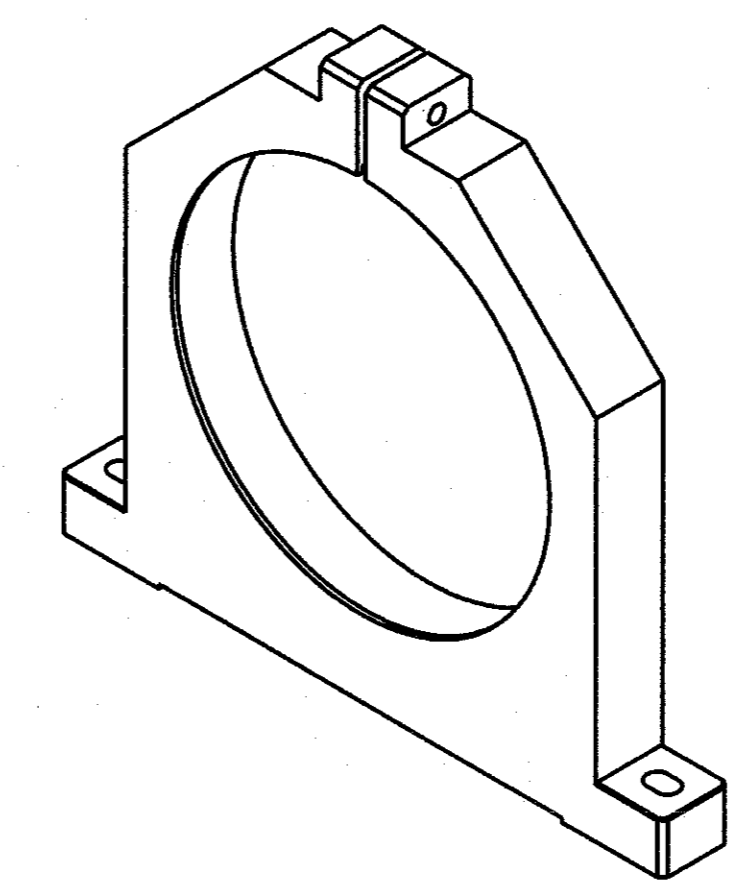


REVISION HISTORY			
ZONE	REV	DESCRIPTION	DATE



NOTES:

1. STENCIL 'D00000-02-01-2074' AT APPROXIMATE LOCATION SHOWN IN .38" MIN. CHARACTERS.

DOCUMENT CONTROL STAMP 	DIM & TOL PER ASME Y14.5 - UNLESS OTHERWISE SPECIFIED DIMENSIONS ARE IN INCHES TOLERANCES ARE: FRACTIONS: X ± .1 .XX ± .02 .XXX ± .005 DECIMAL: .X ± .1 .XX ± .02 .XXX ± .005 ANGLES: ± .50°	TRACKING NO. N/A		United States Department of Energy Jefferson National Accelerator Facility Newport News Virginia
		APPROVALS	DATE	
MATERIAL ALUMINUM 6061	THIRD ANGLE PROJECTION	DRAWN R. GETZ	11NOV10	SIZE DWG. NO. D D00000-02-01-2074 SCALE 1:2 (USED ON ASSY NO. D00000-02-01-1018) SHEET 1 OF 1
FINISH MACHINED SURFACES 125 UNLESS OTHERWISE NOTED DEBURR & BREAK ALL SHARP EDGES		CHECKED <i>R. Getz</i>	03 NOV 11	
DO NOT SCALE DRAWING		APPROVED <i>R. Getz</i>	03 NOV 11	
		APPROVED <i>M.E. White</i>	08 NOV 11	