

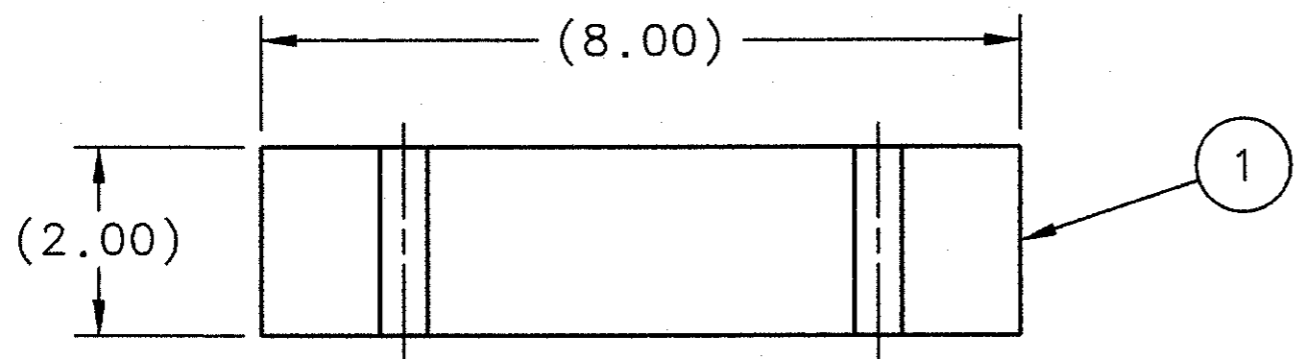
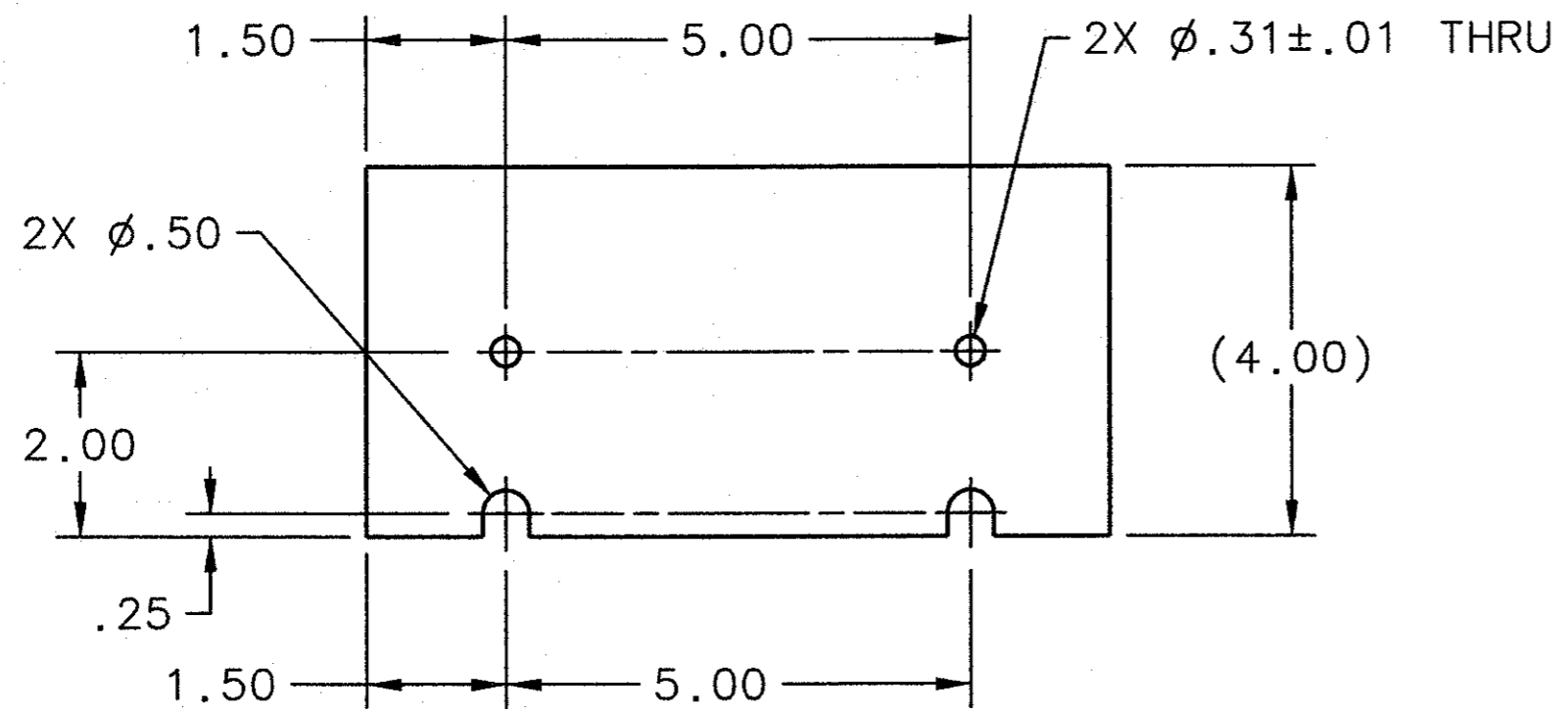
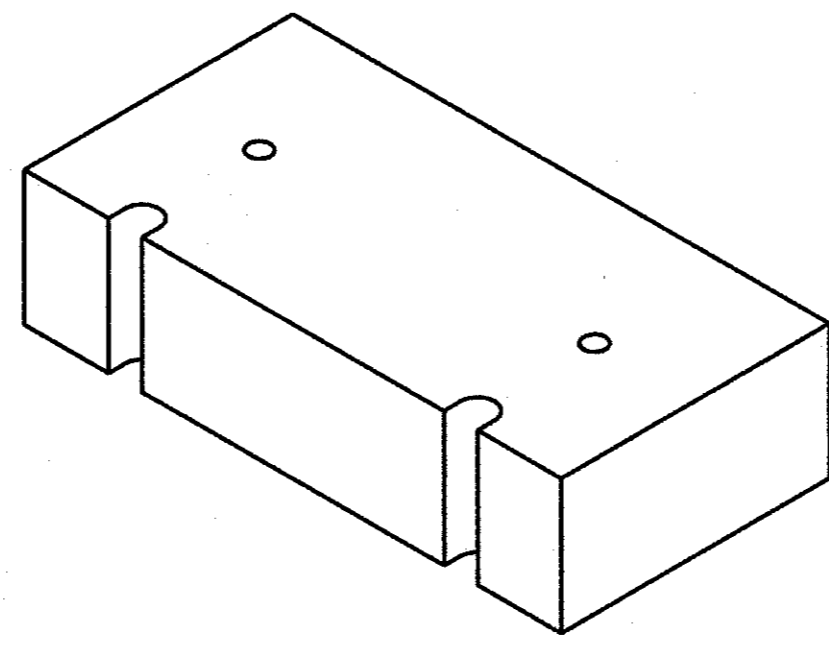
4

3

2

1

REVISION HISTORY				
ZONE	REV	DESCRIPTION	DATE	APPROVED



NOTES:

- 1. SUGGESTED SOURCE OR JLAB APPROVED ALTERNATE:  
A. McMASTER-CARR [www.mcmaster.com](http://www.mcmaster.com)

QTY REQD	ITEM NO.	PART OR IDENTIFYING NO.	NOMENCLATURE OR DESCRIPTION	MATERIAL SPECIFICATION	NOTES
1	1	McMASTER-CARR P/N 9033K11	BRICK 2 X 4 X 8	LEAD	

<p>DOCUMENT CONTROL STAMP</p> <p>MATERIAL SEE PARTS LIST</p> <p>FINISH MACHINED SURFACES 125 UNLESS OTHERWISE NOTED DEBURR &amp; BREAK ALL SHARP EDGES</p> <p>DO NOT SCALE DRAWING</p>	<p>DIM &amp; TOL PER ASME Y14.5 UNLESS OTHERWISE SPECIFIED DIMENSIONS ARE IN INCHES TOLERANCES ARE:</p> <table> <tr> <td>FRACTIONS</td> <td>DECIMAL</td> <td>ANGLES</td> </tr> <tr> <td>± N/A</td> <td>.X ± .1</td> <td>± .50°</td> </tr> <tr> <td></td> <td>.XX ± .02</td> <td></td> </tr> <tr> <td></td> <td>.XXX ± .005</td> <td></td> </tr> </table>	FRACTIONS	DECIMAL	ANGLES	± N/A	.X ± .1	± .50°		.XX ± .02			.XXX ± .005		<p>TRACKING NO. N/A</p> <p>APPROVALS</p> <p>DATE</p>	<p>United States Department of Energy</p> <p><b>Jefferson Lab</b> Thomas Jefferson National Accelerator Facility</p> <p>Newport News Virginia</p> <p>HALL D GLUE-X SHIELDING COLLIMATOR ALCOVE 1ST COLLIMATOR LEAD BRICK-1</p>
	FRACTIONS	DECIMAL	ANGLES												
	± N/A	.X ± .1	± .50°												
		.XX ± .02													
	.XXX ± .005														
<p>THIRD ANGLE PROJECTION</p>	<p>DRAWN R. GETZ</p> <p>CHECKED <i>R. Getz</i></p> <p>APPROVED <i>R. Getz</i></p> <p>APPROVED <i>N. Z. Whet</i></p>	<p>21NOV10</p> <p>03 NOV 11</p> <p>03 NOV 11</p> <p>08NOV11</p>													
<p>SCALE 1:2</p>	<p>SIZE DWG. NO.</p> <p>C D00000-06-01-2000</p>	<p>REV.</p> <p>-</p>													
<p>USED ON ASSY NO. D00000-02-01-1001</p>	<p>SHEET 1 OF 1</p>														