

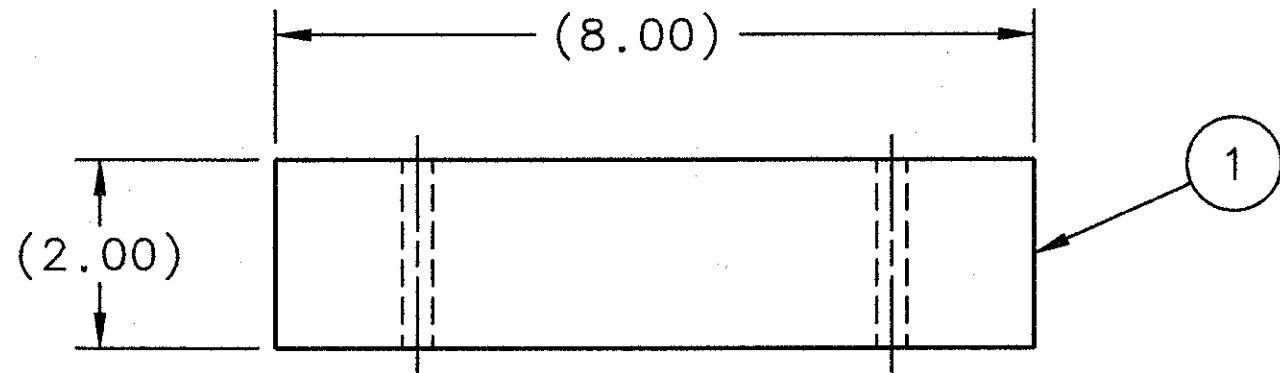
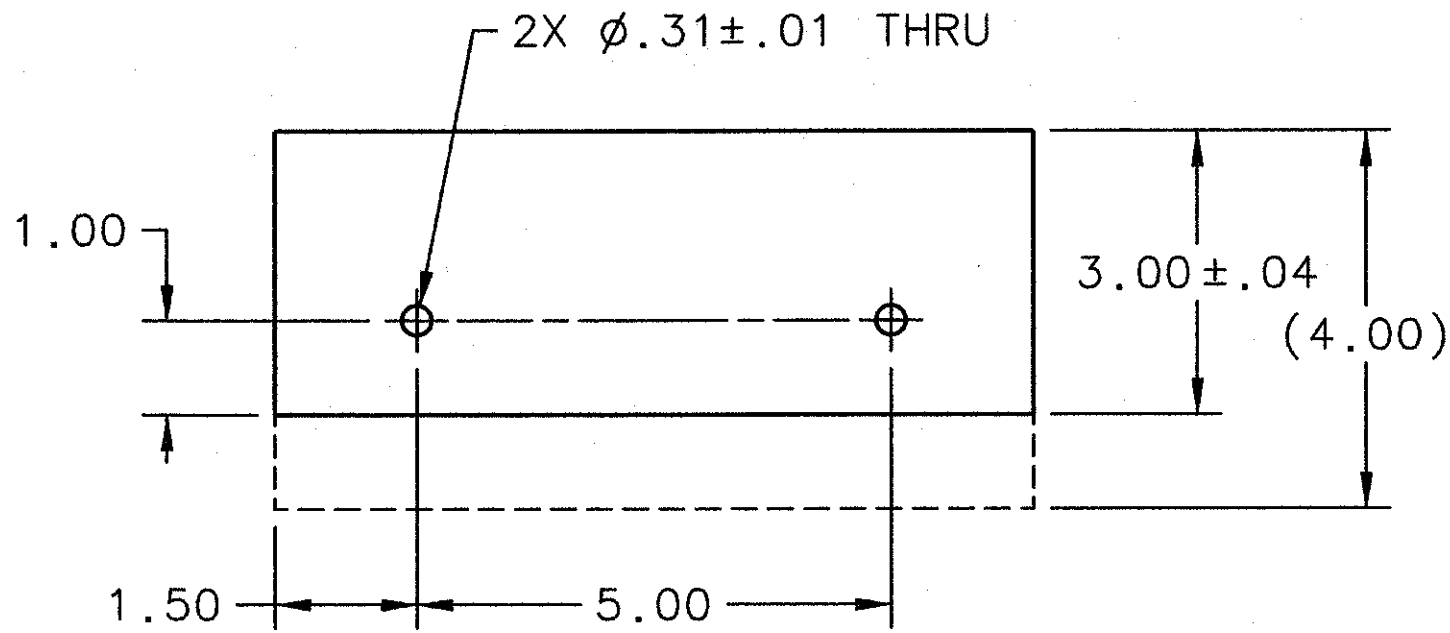
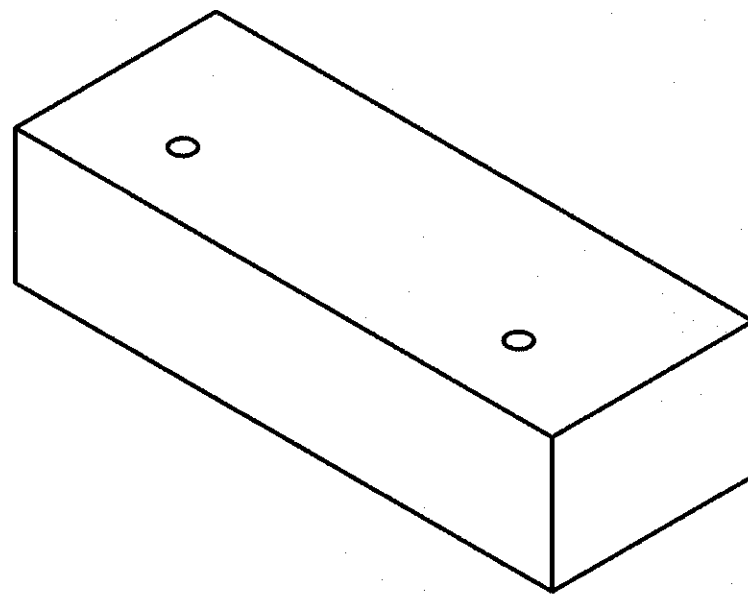
4

3

2

1

REVISION HISTORY				
ZONE	REV	DESCRIPTION	DATE	APPROVED



NOTES:

- 1. SUGGESTED SOURCE OR JLAB APPROVED ALTERNATE:
A. McMASTER-CARR www.mcmaster.com

QTY REQD	ITEM NO.	PART OR IDENTIFYING NO.	NOMENCLATURE OR DESCRIPTION	MATERIAL SPECIFICATION	NOTES
1	1	McMASTER-CARR P/N 9033K11	BRICK 2 X 4 X 8	LEAD	

DOCUMENT CONTROL STAMP

IOG

MATERIAL
SEE PARTS LIST

FINISH MACHINED SURFACES 125 UNLESS OTHERWISE NOTED DEBURR & BREAK ALL SHARP EDGES

DO NOT SCALE DRAWING

DIM & TOL PER ASME Y14.5 UNLESS OTHERWISE SPECIFIED DIMENSIONS ARE IN INCHES TOLERANCES ARE:

FRACTIONS	DECIMAL	ANGLES
± N/A	.X ± .1	± .50°
	.XX ± .01	
	.XXX ± .005	

THIRD ANGLE PROJECTION

TRACKING NO.
N/A

APPROVALS	DATE
DRAWN R. GETZ	21NOV10
CHECKED <i>R. Getz</i>	03NOV11
APPROVED <i>R. Getz</i>	03NOV11
APPROVED <i>A. E. ...</i>	08NOV11

United States Department of Energy

Jefferson Lab
Thomas Jefferson National Accelerator Facility

Newport News Virginia

HALL D GLUE-X SHIELDING COLLIMATOR ALCOVE 1ST COLLIMATOR LEAD BRICK-2

SIZE	DWG. NO.	REV.
C	D00000-06-01-2001	-

SCALE 1:2 USED ON ASSY NO. D00000-02-01-100 SHEET 1 OF 1