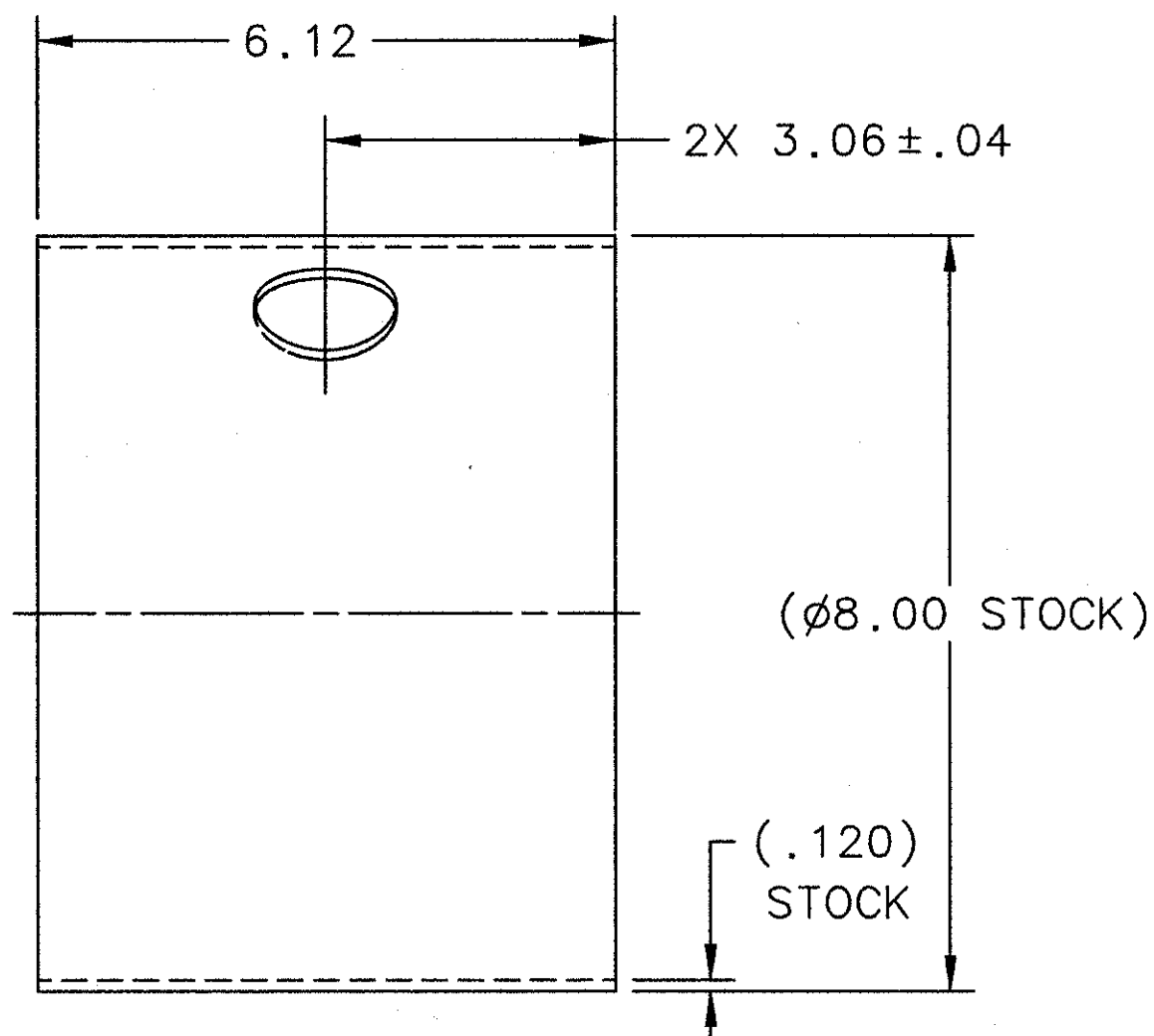
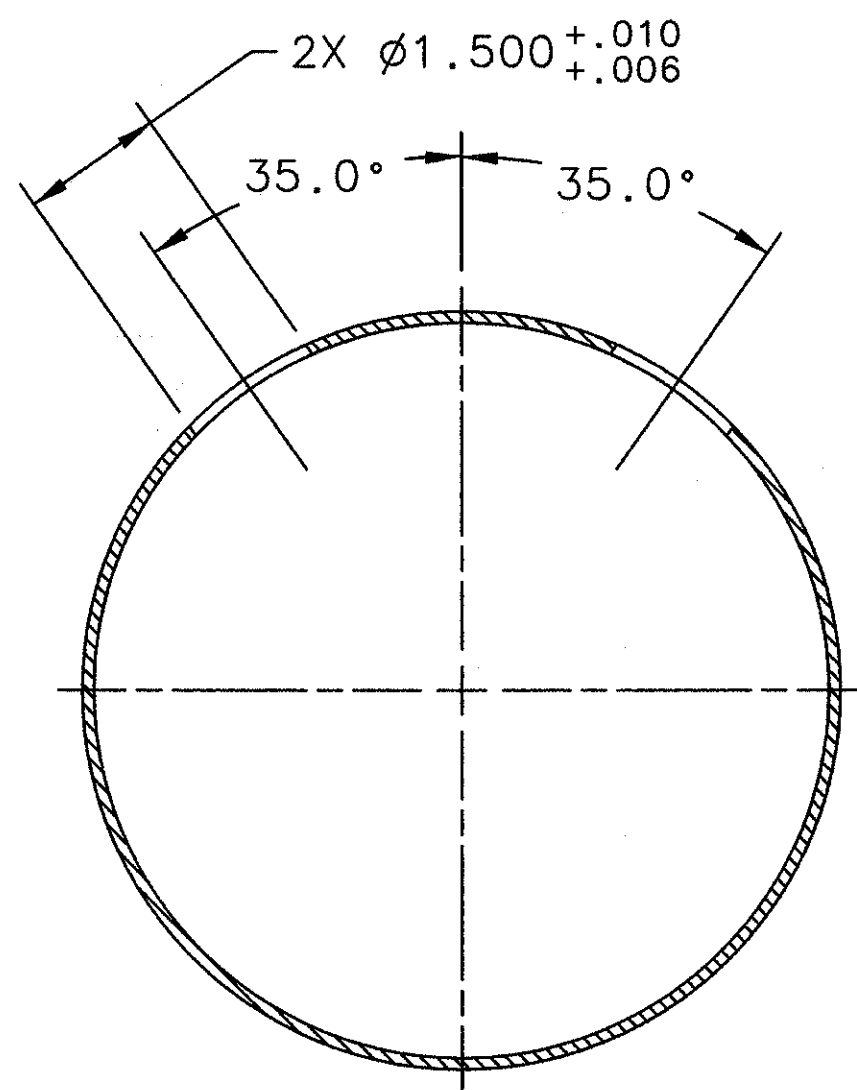
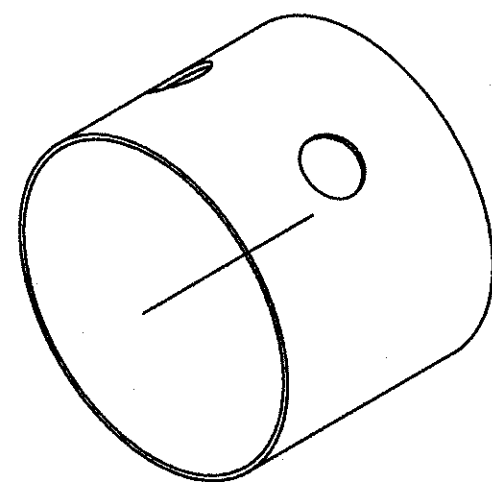
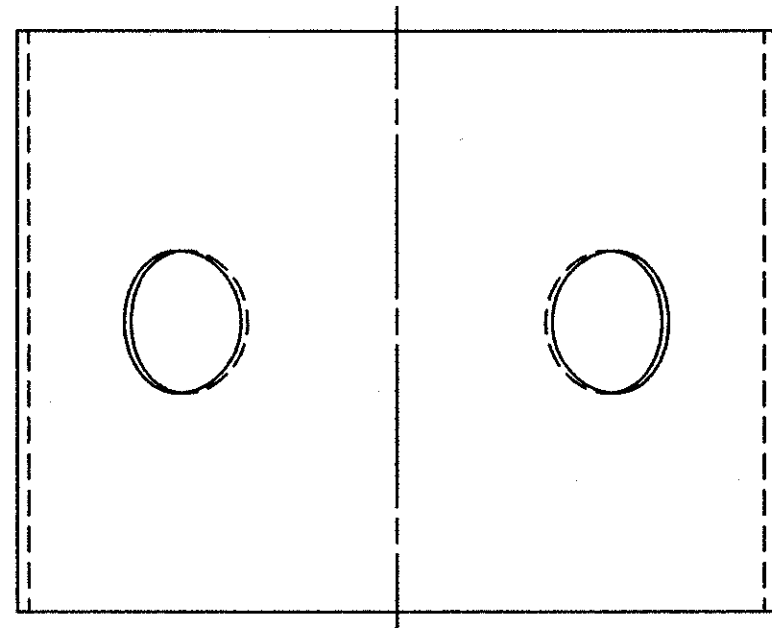


REVISION HISTORY				
ZONE	REV	DESCRIPTION	DATE	APPROVED



DOCUMENT CONTROL STAMP 	DIM & TOL PER ASME Y14.5 UNLESS OTHERWISE SPECIFIED DIMENSIONS ARE IN INCHES TOLERANCES ARE: FRACTIONS DECIMAL ANGLES ± N/A .X ± .1 ± .50° .XX ± .01 .XXX ± .005	TRACKING NO. N/A		United States Department of Energy Newport News Virginia ORNL Jefferson National Accelerator Facility
		APPROVALS	DATE	
MATERIAL STAINLESS 304 TUBE 8.00 OD X .120 WALL	THIRD ANGLE PROJECTION 	DRAWN VGR	03NOV08	SIZE DWG. NO. REV. C D00000-02-01-2001 -
FINISH MACHINED SURFACES 125 UNLESS OTHERWISE NOTED DEBURR & BREAK ALL SHARP EDGES	DO NOT SCALE DRAWING	CHECKED 	4 NOV 11	