

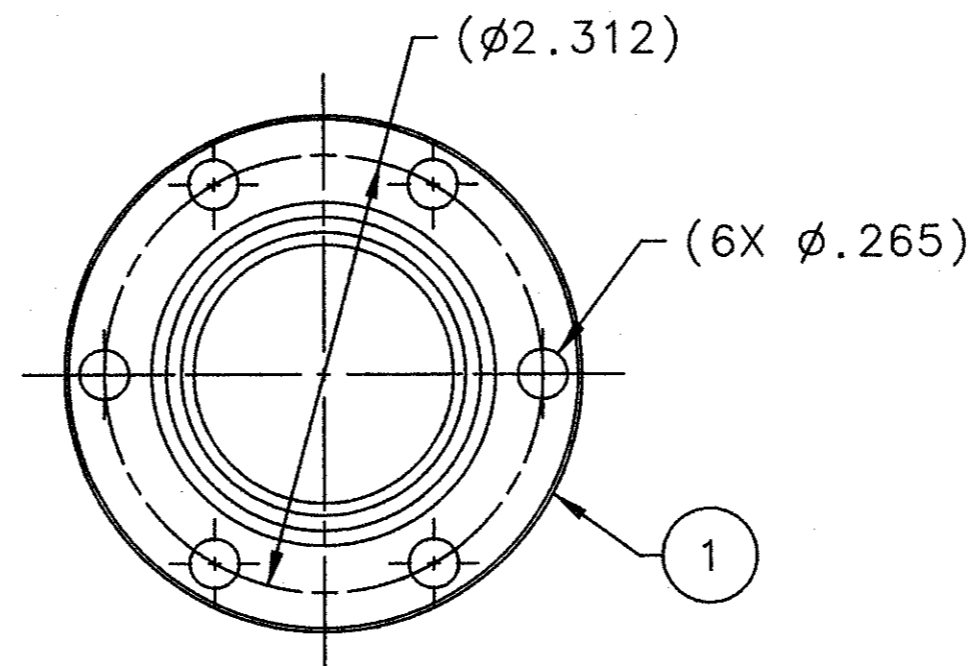
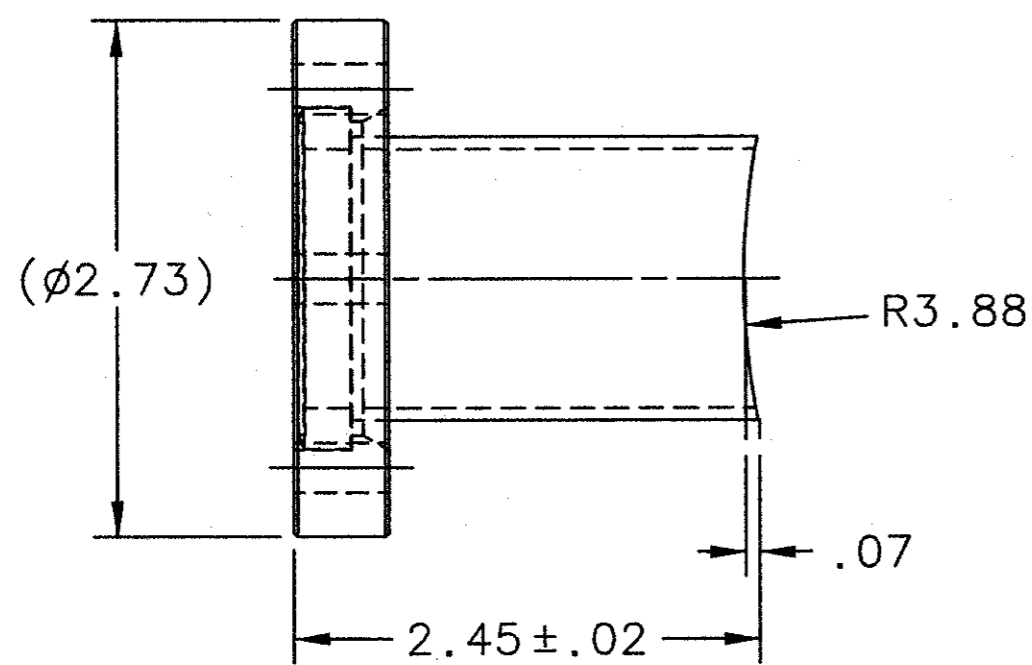
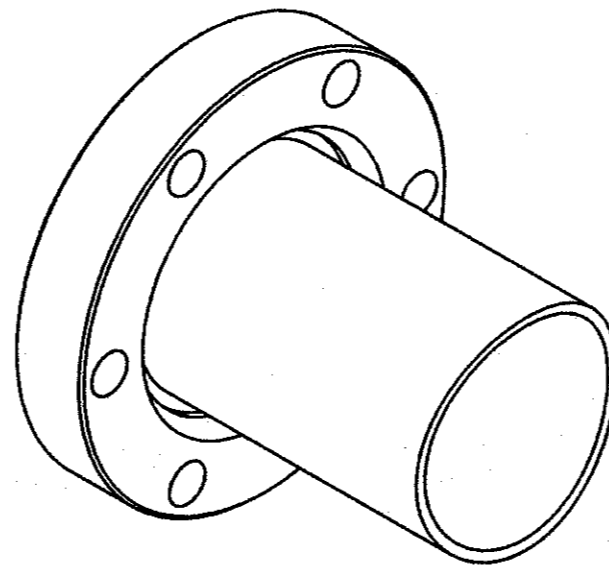
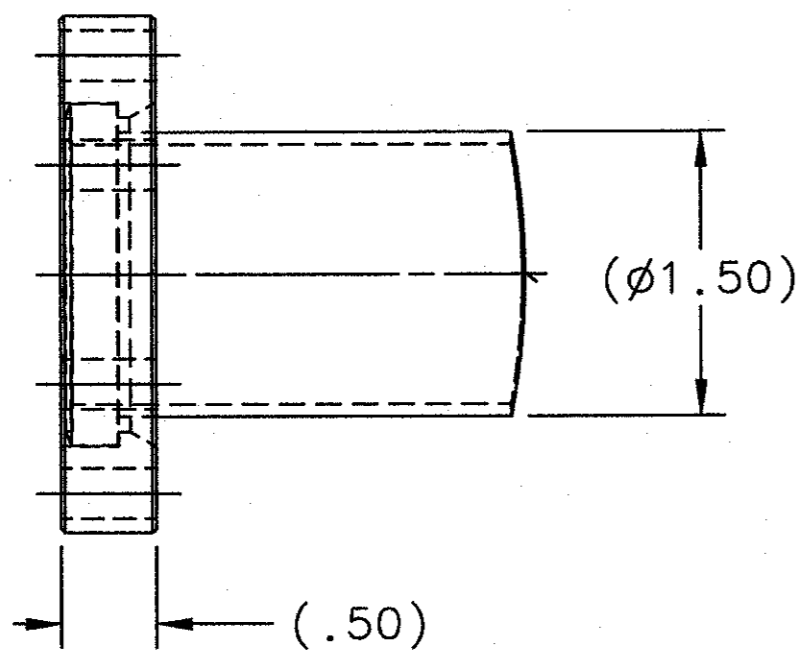
4

3

2

1

REVISION HISTORY				
ZONE	REV	DESCRIPTION	DATE	APPROVED



NOTES:

- THE FOLLOWING JLAB SPECIFICATIONS APPLY:
 FABRICATION OF UHV EQUIPMENT . . . 22631-S-001 REV B
 CLEANING AND HANDLING OF UHV COMPONENTS . . . 22632-S-001 REV E
- SUGGESTED SOURCE OR JLAB APPROVED EQUIVALENT:
 A. MDC VACUUM PROD. (800)443-8817 www.mdcvacuum.com

1	1	MDC PART No.401022	DEL-SEAL CF HALF NIPPLE 2.75 OD, R	STAINLESS STEEL TYPE 304	2A
QTY REQD	ITEM NO.	PART OR IDENTIFYING NO.	NOMENCLATURE OR DESCRIPTION	MATERIAL SPECIFICATION	NOTES

DOCUMENT CONTROL STAMP 	DIM & TOL PER ASME Y14.5 . UNLESS OTHERWISE SPECIFIED DIMENSIONS ARE IN INCHES TOLERANCES ARE: FRACTIONS DECIMAL ANGLES ± N/A .X ± .1 ± .50° .XX ± .01 .XXX ± .005	TRACKING NO. N/A	United States Department of Energy Jefferson National Accelerator Facility Newport News Virginia
	MATERIAL SEE PARTS LIST	APPROVALS DATE 17FEB11	HALL D - GLUEX BEAMLINE COLLIMATOR ALCOVE HALF NIPPLE CF 2.75 OD, R, MODIF.
FINISH MACHINED SURFACES UNLESS OTHERWISE NOTED 125 ✓ DEBURR & BREAK ALL SHARP EDGES	THIRD ANGLE PROJECTION 	DRAWN R. GETZ CHECKED 3NOV11 APPROVED 3NOV11 APPROVED 08NOV11	SIZE DWG. NO. C D00000-02-01-2005 SCALE 1:1 USED ON ASSY NO. D00000-02-01-1000 SHEET 1 OF 1

4

3

2

1