

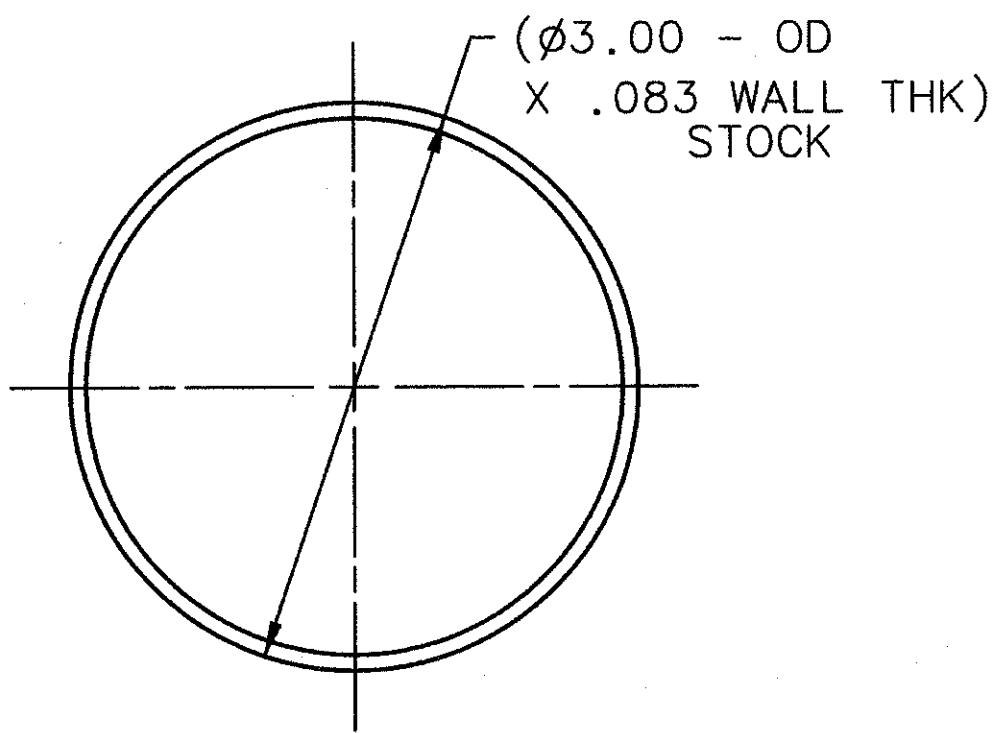
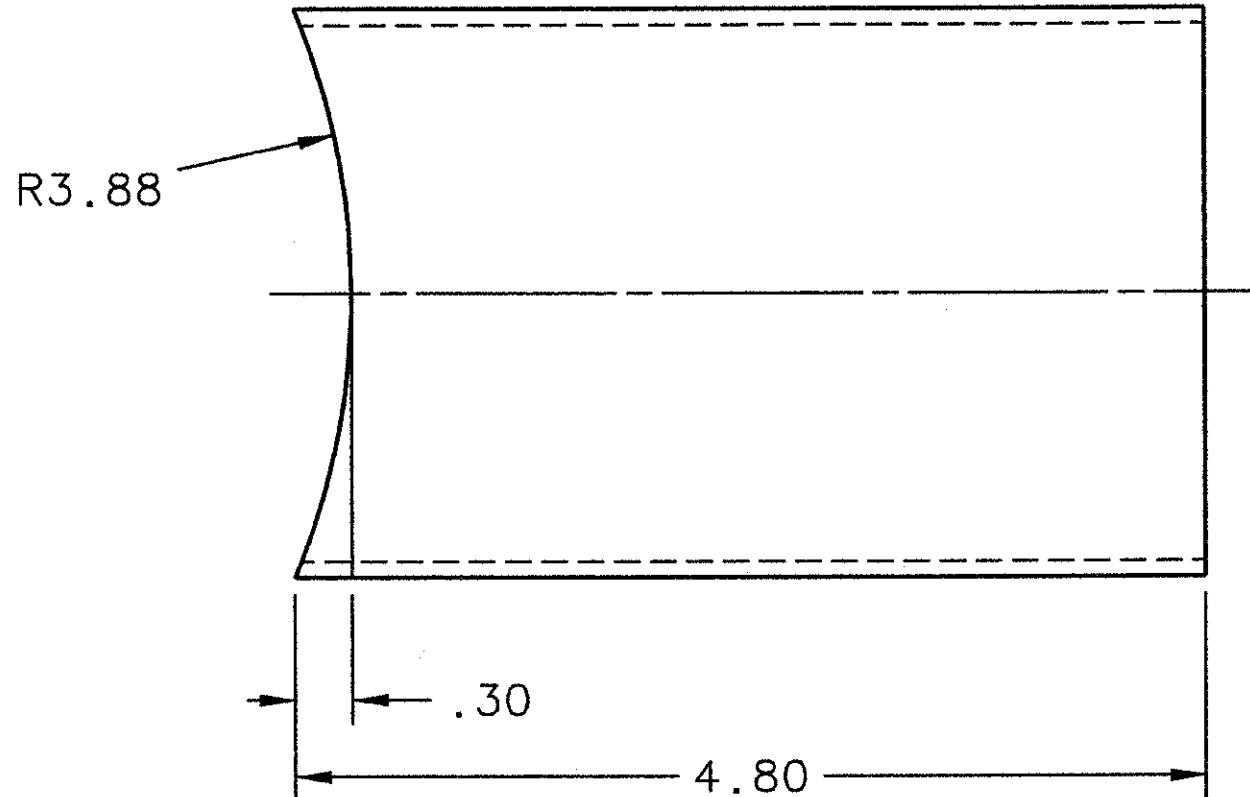
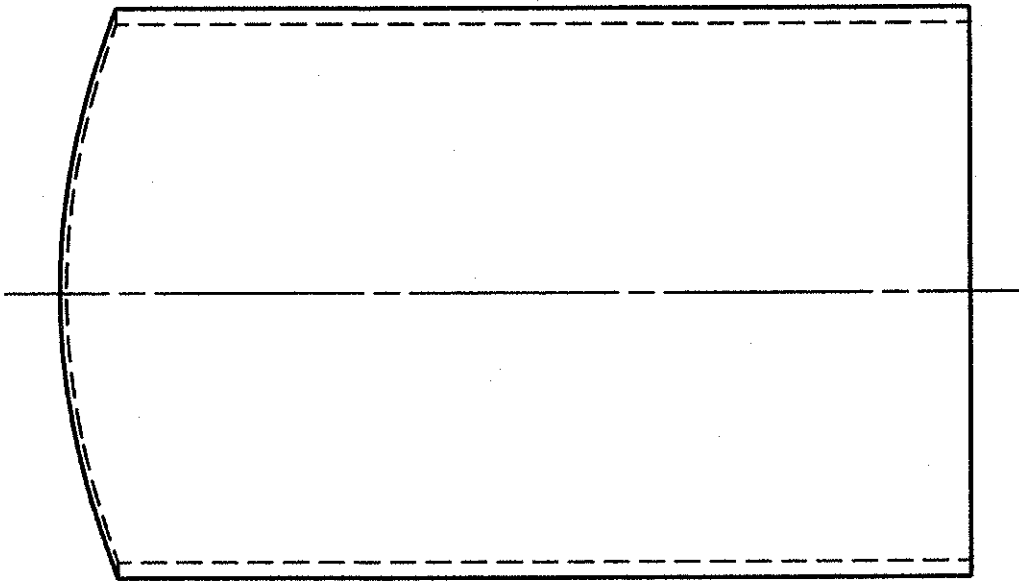
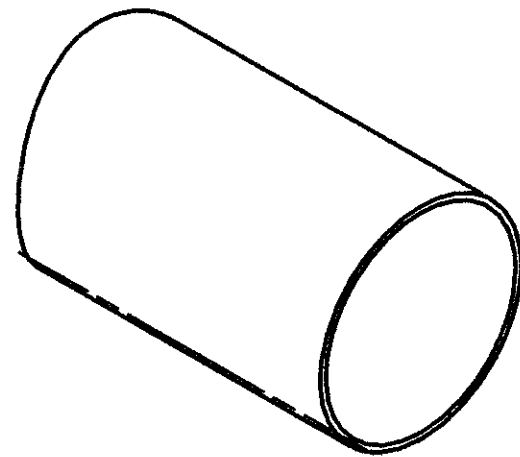
4

3

2

1

REVISION HISTORY				
ZONE	REV	DESCRIPTION	DATE	APPROVED



DOCUMENT CONTROL STAMP IOG	
MATERIAL SS 304 SEAMLESS TUBE 3.00 X .083 WALL THK	
FINISH MACHINED SURFACES DEBURR & BREAK ALL SHARP EDGES	125 UNLESS OTHERWISE NOTED
DO NOT SCALE DRAWING	

DIM & TOL PER ASME Y14.5 UNLESS OTHERWISE SPECIFIED DIMENSIONS ARE IN INCHES TOLERANCES ARE: FRACTIONS DECIMAL ANGLES ± N/A .X ± .1 ± .50° .XX ± .02 .XXX ± .005	
THIRD ANGLE PROJECTION	

TRACKING NO. N/A	
APPROVALS	DATE
DRAWN VGR	24NOV08
CHECKED <i>[Signature]</i>	4NOV11
APPROVED <i>[Signature]</i>	4NOV11
APPROVED <i>[Signature]</i>	08NOV11

United States Department of Energy	Jefferson Lab <small>Thomas Jefferson National Accelerator Facility</small>	Newport News Virginia
HALL D GLUE-X BEAMLIN COLLIMATOR ALCOVE TUBE STUB 3.00 OD X .083 WALL		
SIZE C	DWG. NO. D00000-02-01-2042	REV. -
SCALE 1:1	USED ON ASSY NO. D00000-02-01-1007	SHEET 1 OF 1

4

3

2

1

D

D

C

C

B

B

A

A