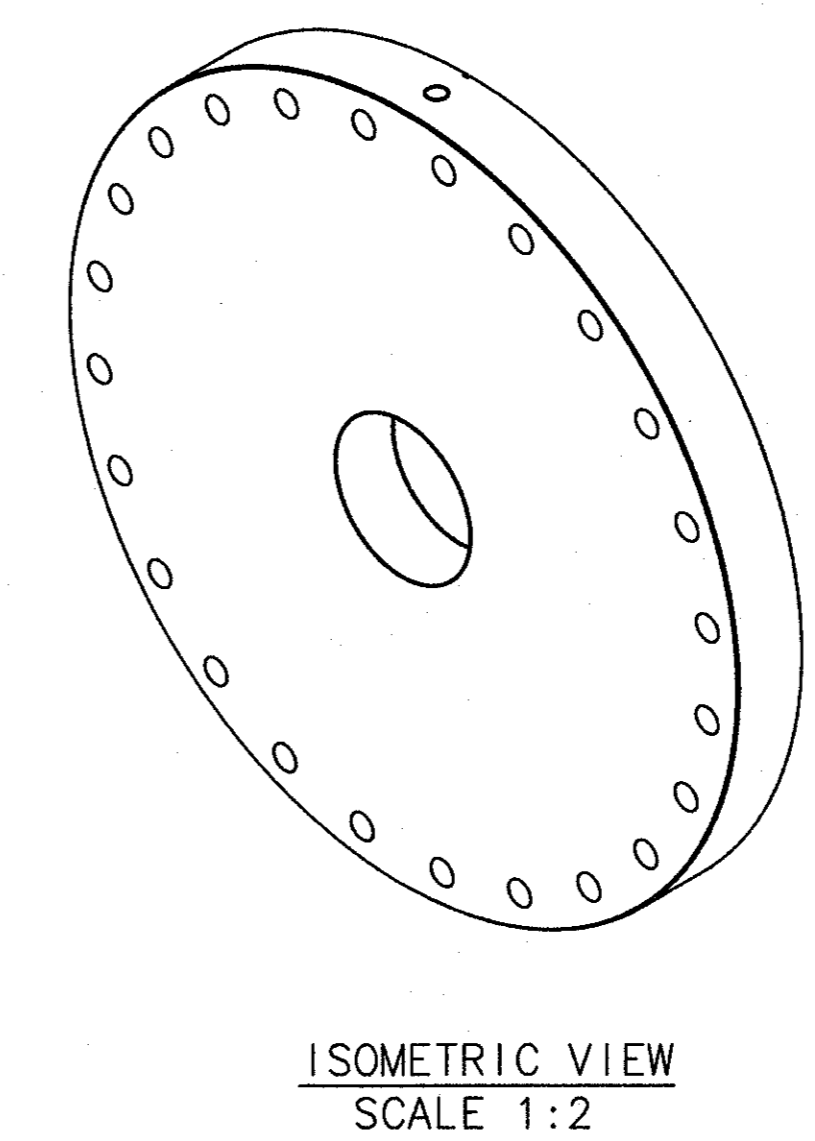
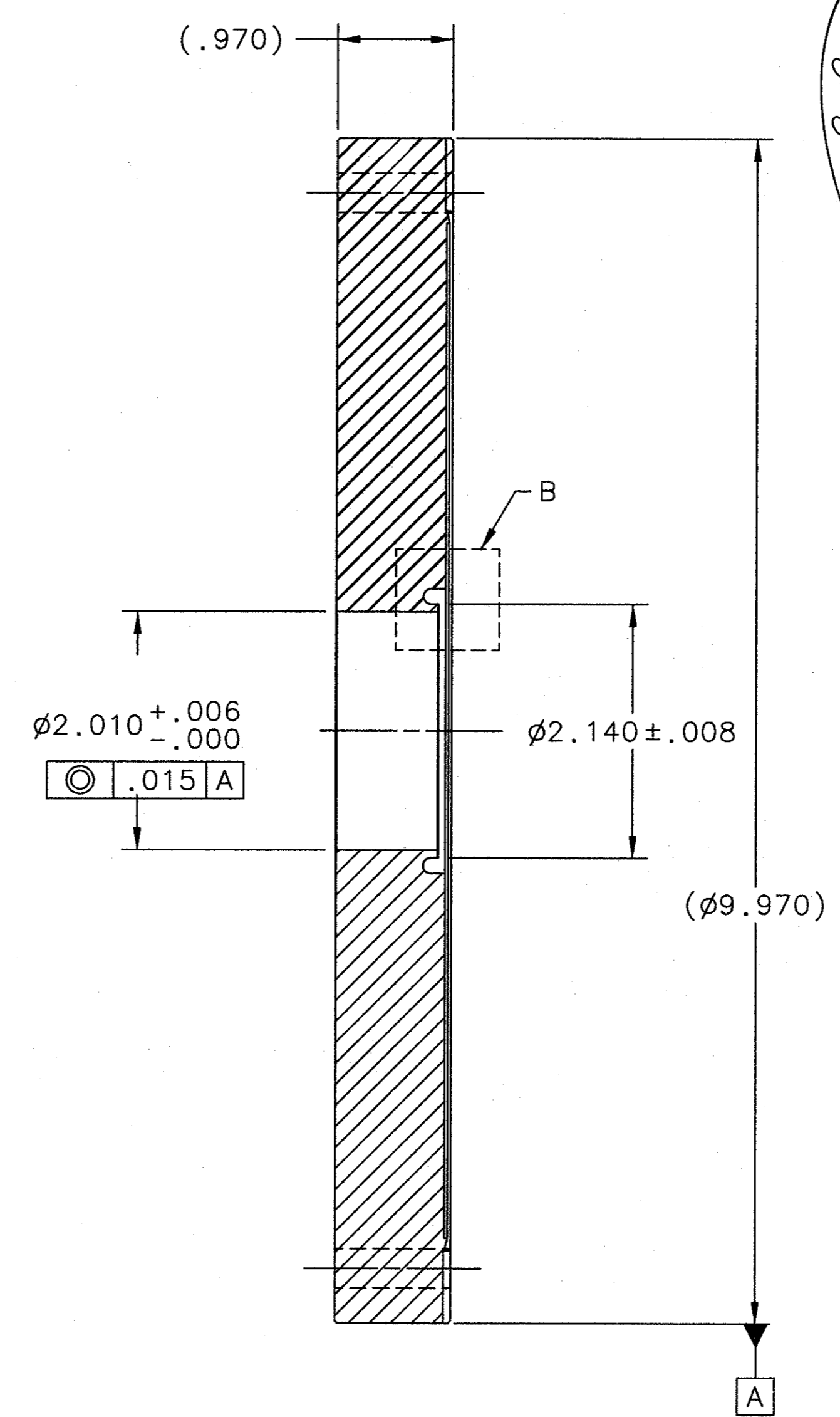
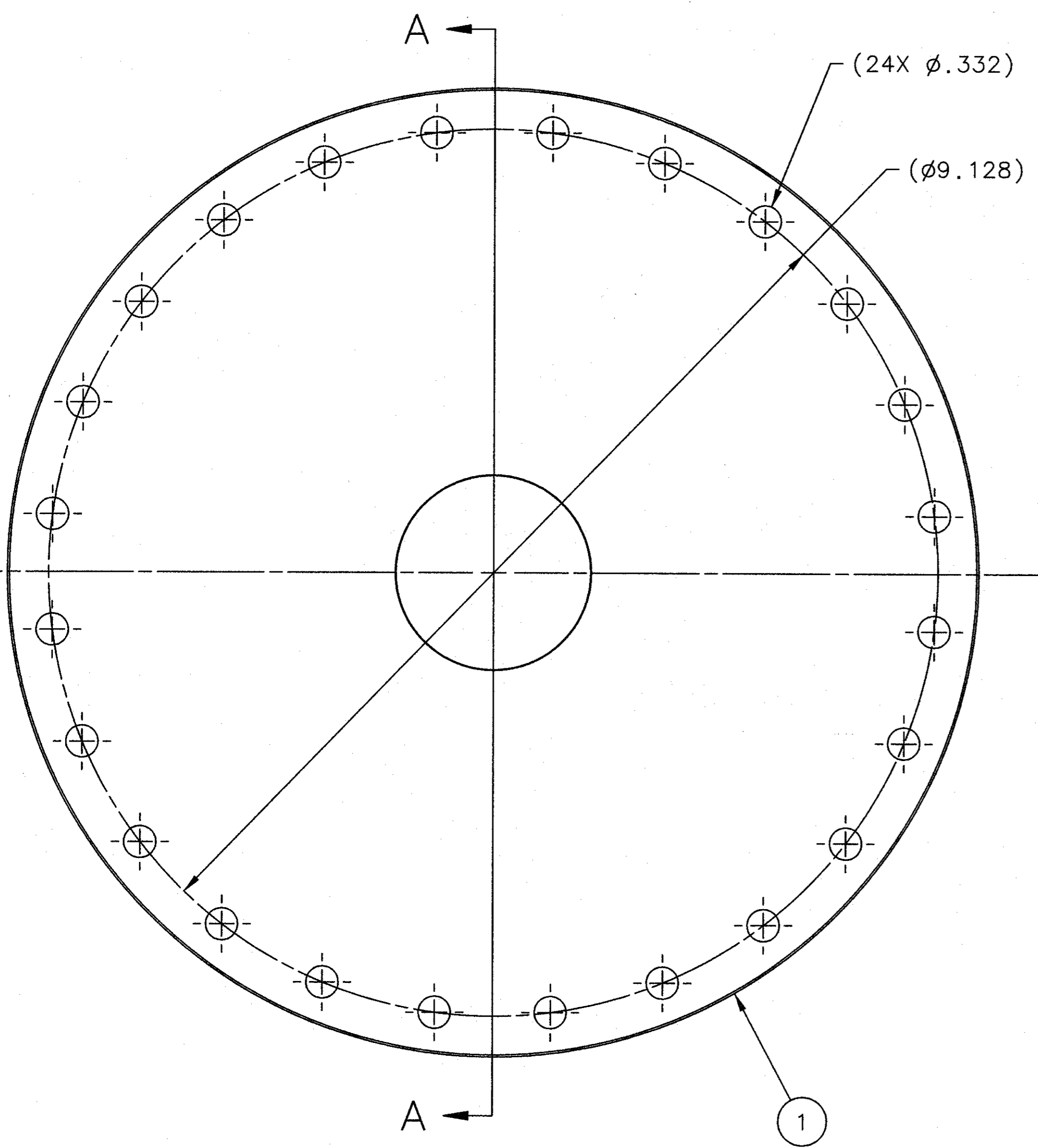


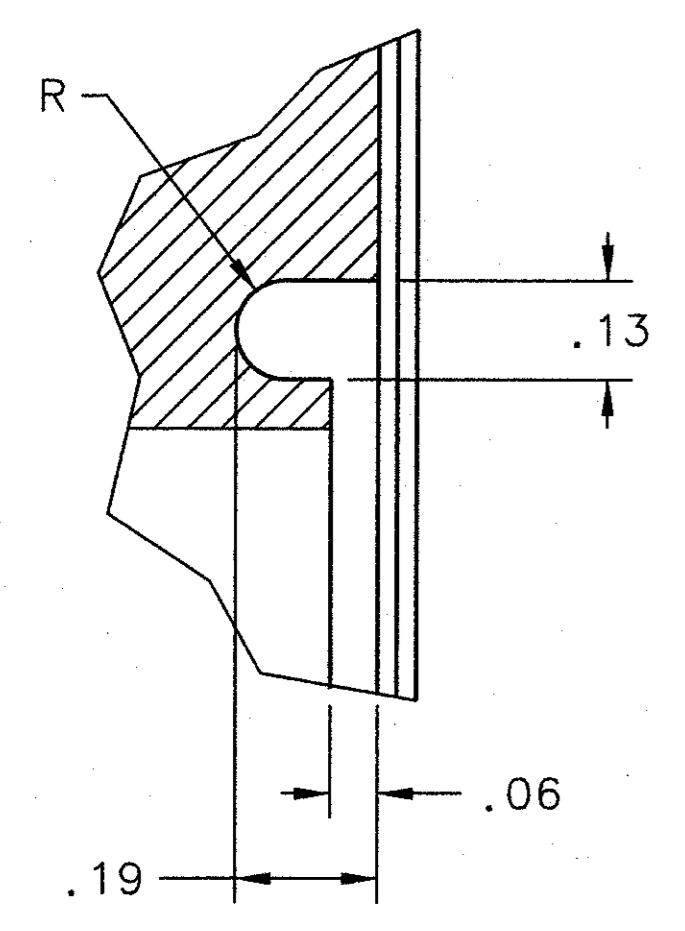
REVISION HISTORY				
ZONE	REV	DESCRIPTION	DATE	APPROVED



SECTION A-A

NOTES:

- THE FOLLOWING JLAB SPECIFICATIONS APPLY:
 FABRICATION OF UHV EQUIPMENT 22631-S-001 REV B
 CLEANING AND HANDLING OF UHV COMPONENTS . . . 22632-S-001 REV E
- SUGGESTED SOURCE OR JLAB APPROVED EQUIVALENT:
 A. MDC VACUUM PROD. (800)443-8817 www.mdcvacuum.com



DETAIL B
SCALE 4:1

1	1	MDC PART No.110032	DEL-SEAL CF FLANGE 10 OD, CLEARANCE, NR, BLANK	STAINLESS STEEL TYPE 304	2A
QTY REQD	ITEM NO.	PART OR IDENTIFYING NO.	NOMENCLATURE OR DESCRIPTION	MATERIAL SPECIFICATION	NOTES
PARTS LIST					
DOCUMENT CONTROL STAMP 		DIM & TOL PER ASME Y14.5 - UNLESS OTHERWISE SPECIFIED DIMENSIONS ARE IN INCHES TOLERANCES ARE: FRACTIONS X ± .1 ANGLES ± .50° DECIMAL .XX ± .01 .XXX ± .005		TRACKING NO. N/A APPROVALS DATE 21APR11 DRAWN R. GETZ CHECKED [Signature] 3/16/11 APPROVED [Signature] 3/16/11 APPROVED [Signature] 08/26/11	
MATERIAL SEE PARTS LIST FINISH 125 UNLESS OTHERWISE NOTED MACHINED SURFACES DEBURR & BREAK ALL SHARP EDGES DO NOT SCALE DRAWING		THIRD ANGLE PROJECTION 		United States Department of Energy Jefferson Lab Jefferson National Accelerator Facility Newport News Virginia HALL D - GLUEX BEAMLIN COLLIMATOR CAVE FLANGE CF 10.0 CL BLANK-MODIFIED SIZE DWG. NO. D D00000-02-01-2052 SCALE 1:1 USED ON ASSY NO. D00000-02-01-1009 SHEET 1 OF 1	