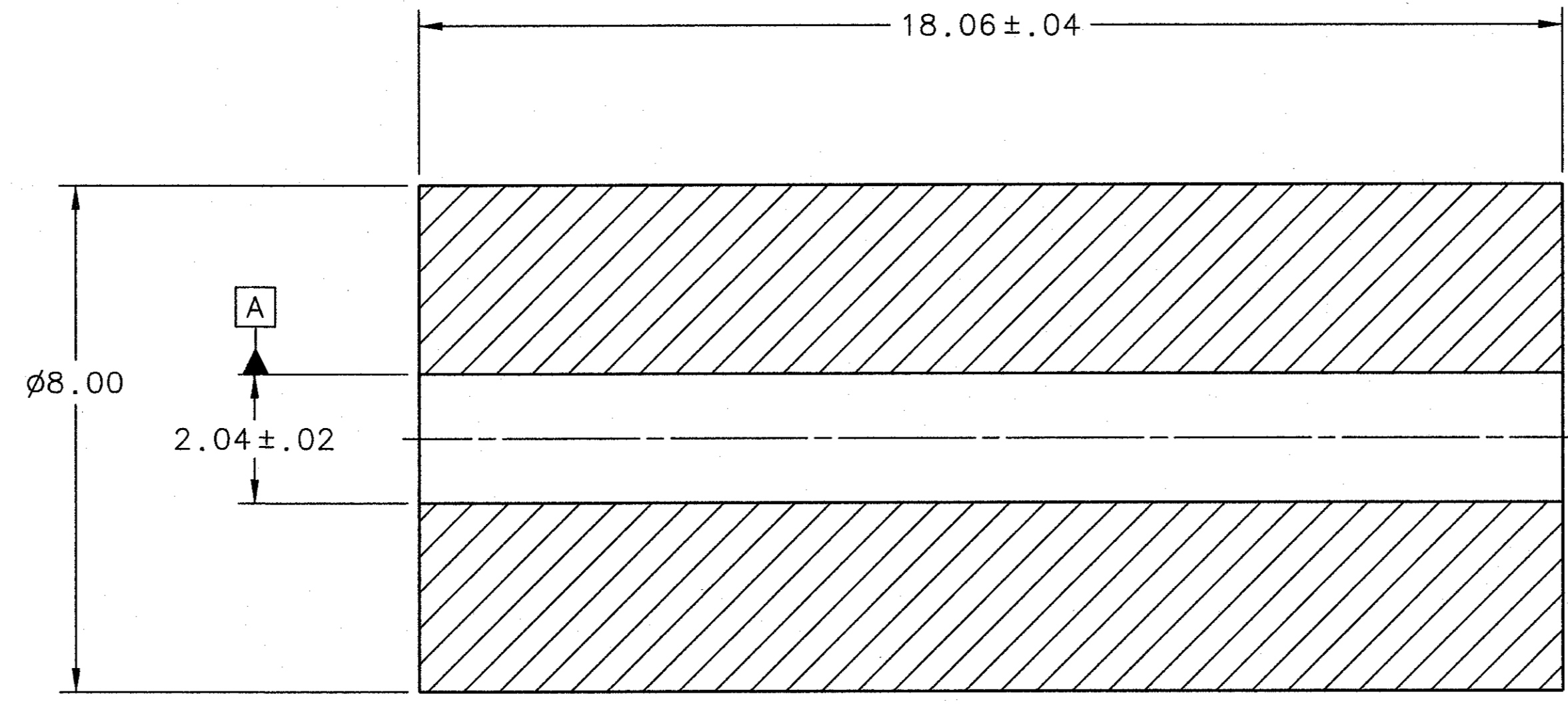
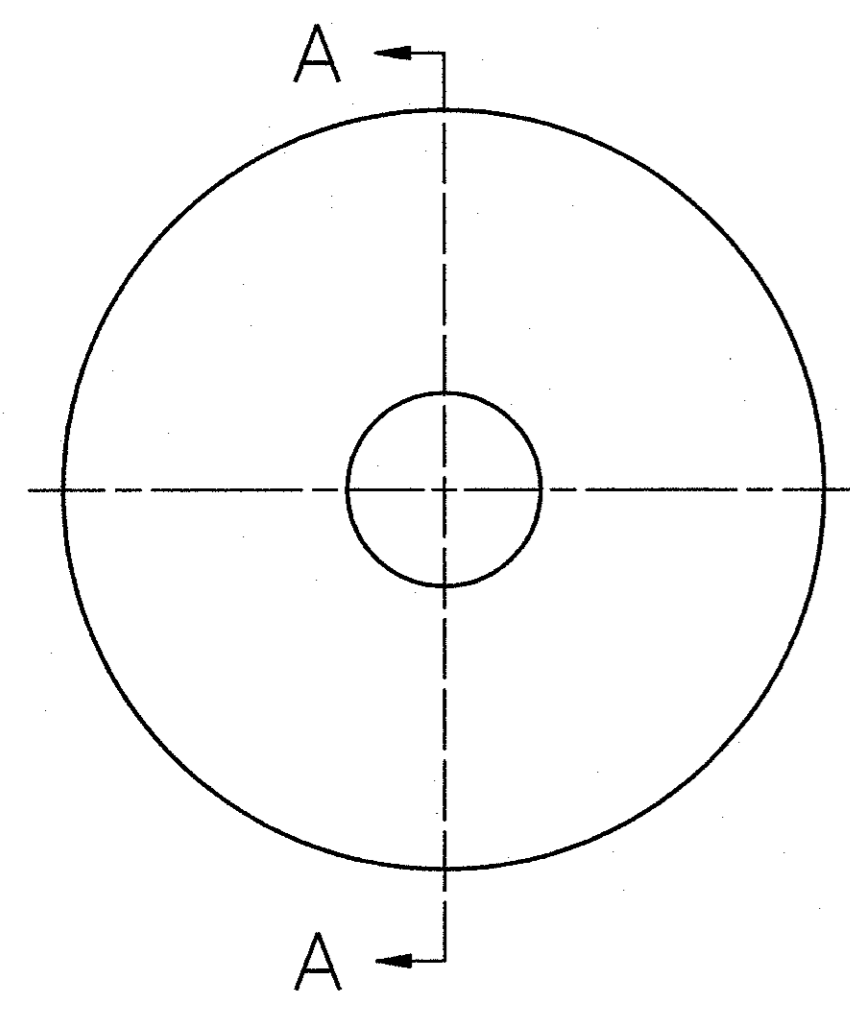
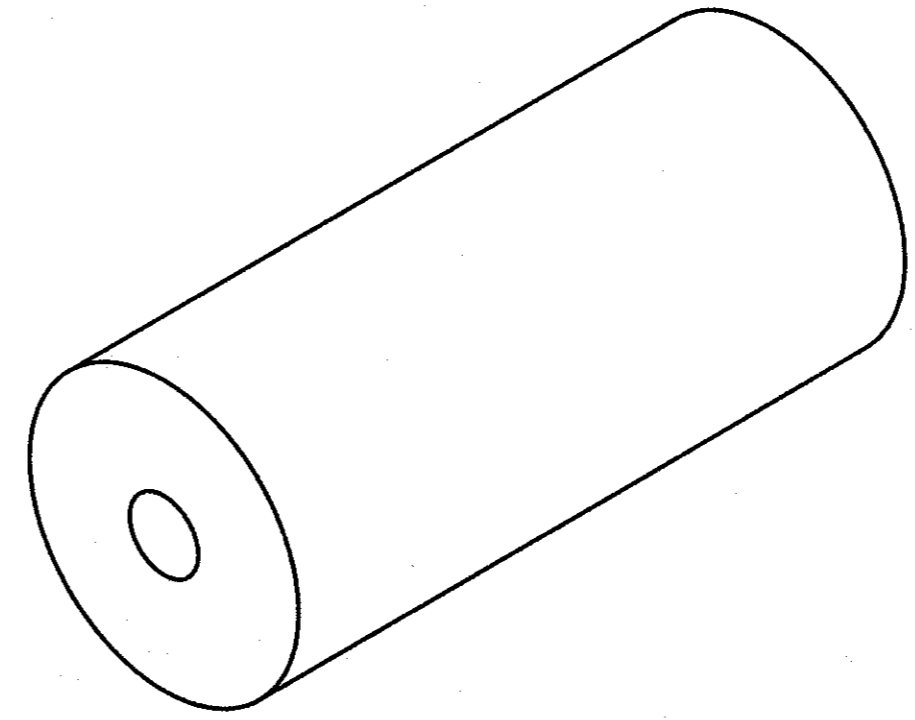


REVISION HISTORY				
ZONE	REV	DESCRIPTION	DATE	APPROVED



⊥ .015 A

SECTION A-A

⊥ .015 A

NOTES:

1. THE FOLLOWING JLAB SPECIFICATIONS APPLY:  
GENERAL CLEANING AND HANDLING . . . . .11141S0035
2. MULTIPLE PIECE CONSTRUCTION PERMISSIBLE WITH JLAB ENGINEERING APPROVAL.
3. WEIGHT IS APPROXIMATELY 240 LBS.

DOCUMENT CONTROL STAMP 	DIM & TOL PER ASME Y14.5 UNLESS OTHERWISE SPECIFIED DIMENSIONS ARE IN INCHES TOLERANCES ARE: FRACTIONS DECIMAL ANGLES ± N/A .XX ± .1 ± .50° .XXX ± .005 .XX ± .01 .XXX ± .005	TRACKING NO. N/A		United States Department of Energy Jefferson National Accelerator Facility Newport News Virginia
		APPROVALS	DATE	
MATERIAL MILD STEEL	THIRD ANGLE PROJECTION 	DRAWN R. GETZ	21APR11	DWG. NO. D00000-02-01-2053
FINISH MACHINED SURFACES 125 UNLESS OTHERWISE NOTED DEBURR & BREAK ALL SHARP EDGES	DO NOT SCALE DRAWING	CHECKED <i>[Signature]</i>	4 Nov 11	
		APPROVED <i>[Signature]</i>	4 Nov 11	REV. -