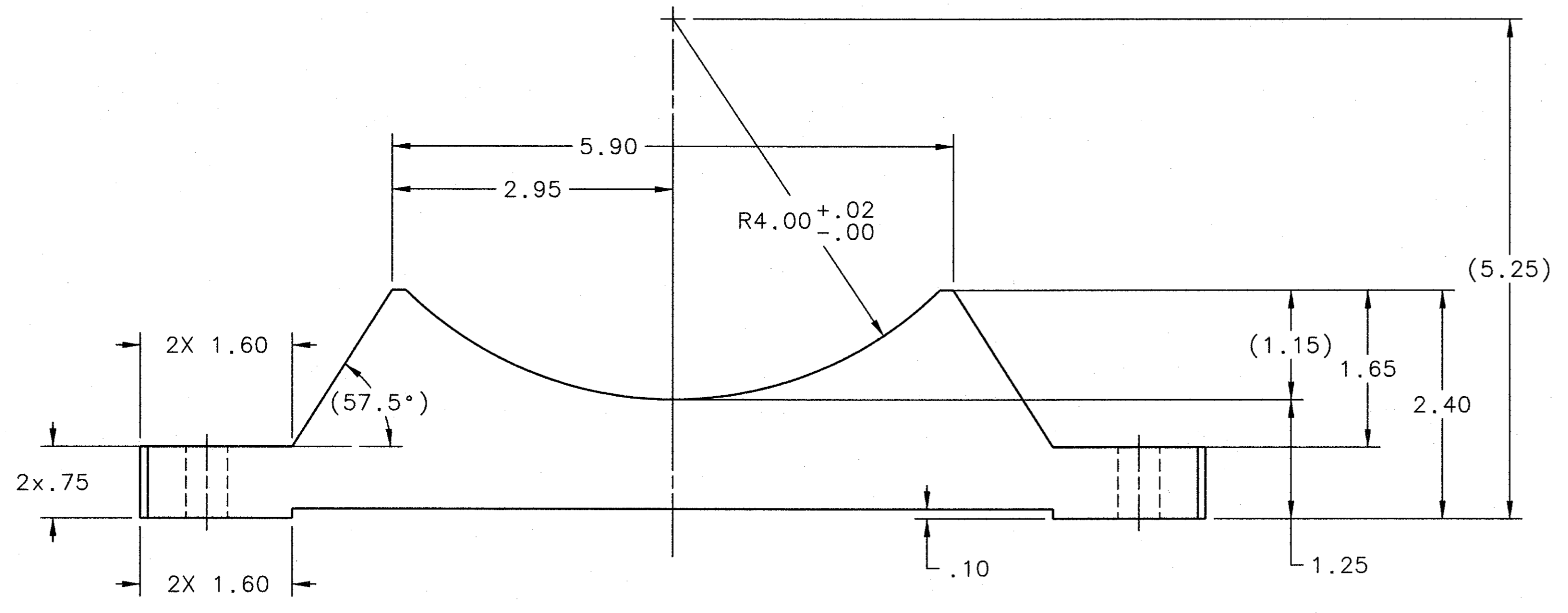
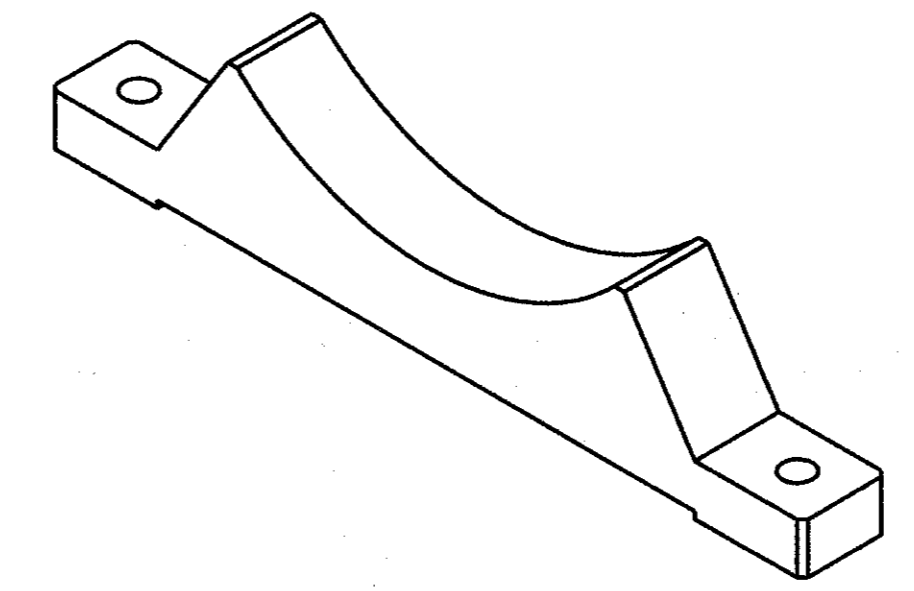
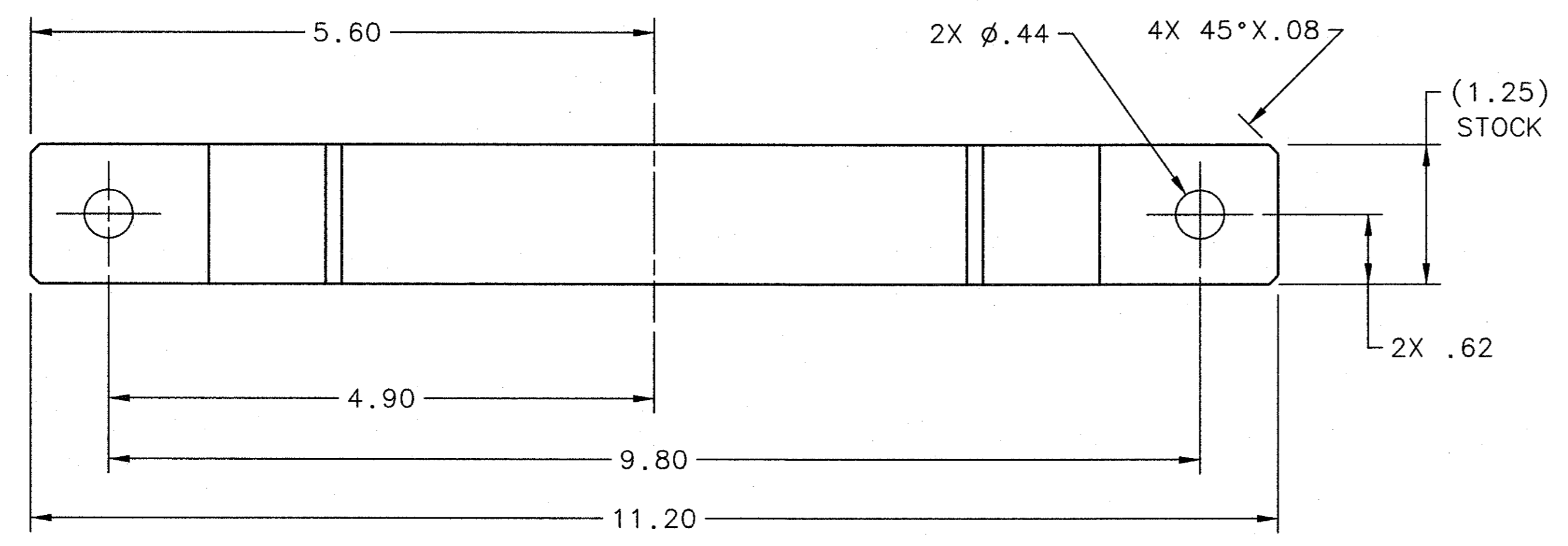


8 7 6 5 4 3 2 1

REVISION HISTORY				
ZONE	REV	DESCRIPTION	DATE	APPROVED



DOCUMENT CONTROL STAMP 	DIM & TOL PER ASME Y14.5 UNLESS OTHERWISE SPECIFIED DIMENSIONS ARE IN INCHES TOLERANCES ARE: FRACTIONS DECIMAL ANGLES ± N/A .X ± .1 .X ± .50° .XX ± .02 .XXX ± .005	TRACKING NO. N/A		United States Department of Energy Jefferson Lab Thomas Jefferson National Accelerator Facility Newport News Virginia
		APPROVALS DRAWN R. GETZ CHECKED <i>[Signature]</i> APPROVED <i>[Signature]</i> DATE 8APR11 4 Nov 11 4 Nov 11		
MATERIAL MILD STEEL PLATE 1.25 THICK	THIRD ANGLE PROJECTION 	DWG. NO. D00000-02-01-2054		REV. -
FINISH MACHINED SURFACES 125 UNLESS OTHERWISE NOTED DEBURR & BREAK ALL SHARP EDGES		DO NOT SCALE DRAWING		SCALE 1:2 USED ON ASSY NO. D00000-02-01-1009 SHEET 1 OF 1

8 7 6 5 4 3 2 1